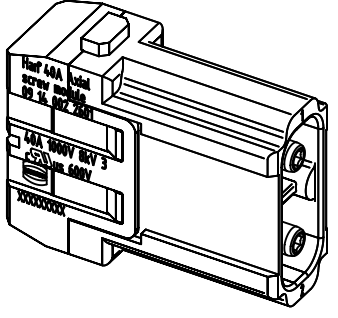


for stranded wire 2,5-8mm², AWG14-8, fine wire



	All Dimensions in mm Original Size DIN A4		Scale 2:1	Free size tol.		Ref.	
						Sub.	
	All rights reserved Department EL PD - DE		Created by RULLKOETTER	Inspected by SCHNIEDER	Standardisation TIEMANNA	Date 2014-06-11	State Final Release
	HARTING Electric GmbH & Co. KG D-32339 Espelkamp		Title Han 40A axial module, male 2,5-8mm ²			Doc-Key / ECM-Nr. 100125618/UGD/010/B 500000074632	
			Type TB	Number 09 14 002 2601		Rev. B	Page 1/1