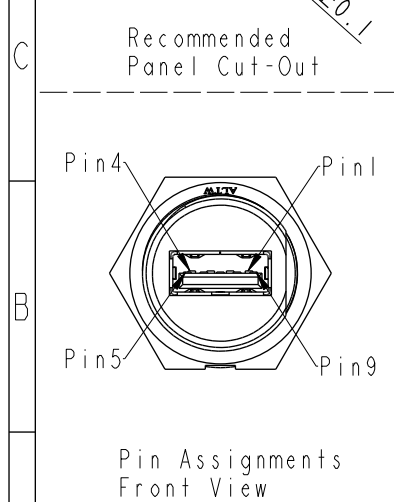
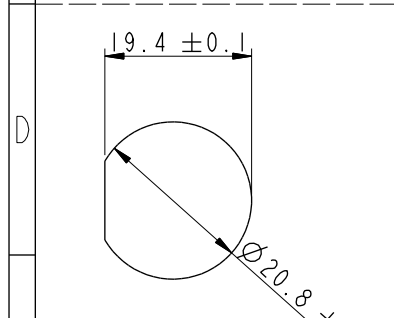
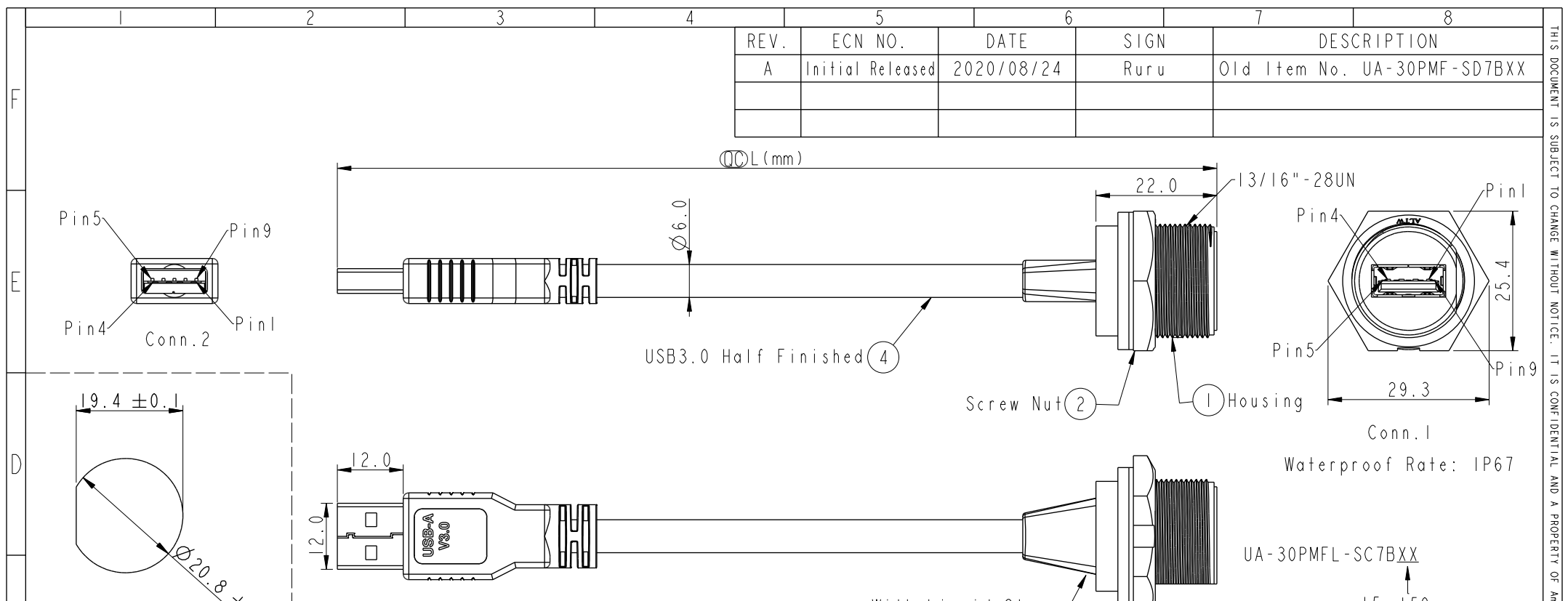


THIS DOCUMENT IS SUBJECT TO CHANGE WITHOUT NOTICE. IT IS CONFIDENTIAL AND A PROPERTY OF Amphenol LTW. DISCLOSURE TO THIRD PARTY HAS TO BE AUTHORIZED BY Amphenol LTW.

REV.	ECN NO.	DATE	SIGN	DESCRIPTION
A	Initial Released	2020/08/24	Ruru	Old Item No. UA-30PMF-SD7BXX



Shield	Braid	編織	Shield	Shield	
9	Orange	28AWG 橙	SDP2+	9	Twist
8	Purple	28AWG 紫	SDP2-	8	
7	Drain	28AWG	SDP2_Drain	7	Twist
6	Yellow	28AWG 黃	SDP1+	6	
5	Blue	28AWG 藍	SDP1-	5	Twist
7	Drain	28AWG	SDP1_Drain	7	
4	Black	28AWG 黑	GND_PWRrt	4	Twist
3	Green	28AWG 綠	UTP_D+	3	
2	White	28AWG 白	UTP_D-	2	Twist
1	Red	28AWG 紅	PWR	1	
Conn.1	Wire Color		Signal Name	Conn.2	

UA-30PMFL-SC7BXX

15 : 150mm  
 20 : 200mm  
 30 : 300mm  
 50 : 500mm  
 A0 : 1000mm

- Note:
- \*  $\varnothing$  Important Dimension.
  - \* Housing: Thermoplastic, Black
  - \* Screw Nut: Thermoplastic, Black
  - \* Gasket: Rubber, Gray
  - \* Jack: USB3.0-A Female Solder
  - \* Cable: UL2725 (IP\*28#+DMA)\*2C+IP\*28#+2C\*28#+ADB, PVC, UV Resistant, OD=6.0mm, Black
  - \* Cable Length Tolerance: 150~1000mm:±60mm
  - \* Use with waterproof cap or dust cap  
Panel Thickness max: 2.8mm
  - \* Use without waterproof cap or dust cap  
Panel Thickness max: 4.0mm
  - \* All of Drain twisted together.

UNIT:mm		TITLE
TOLERANCE	±0.5	USB, A TYPE, 3.0, FRONT FASTENED M, F, PNL W/PLUG, SCREW
SCALE	1:1	SIZE
REV.	A	WC-REV.
		WC-REV.
		QC: Inspection item

**Amphenol LTW**  
 安費諾亮泰企業股份有限公司

ITEM NO	DRAWN BY	DATE
DWG NO	CHECKED BY	DATE
CUSTOMER	APPROVED BY	DATE
ALTW	Max	2020-08-24