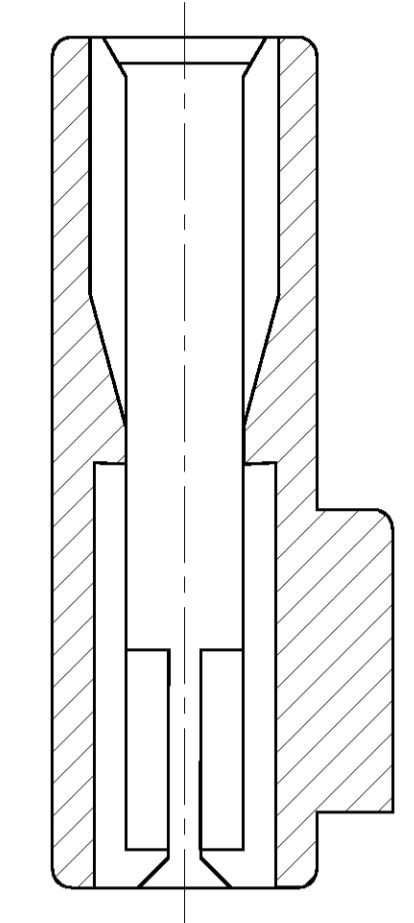
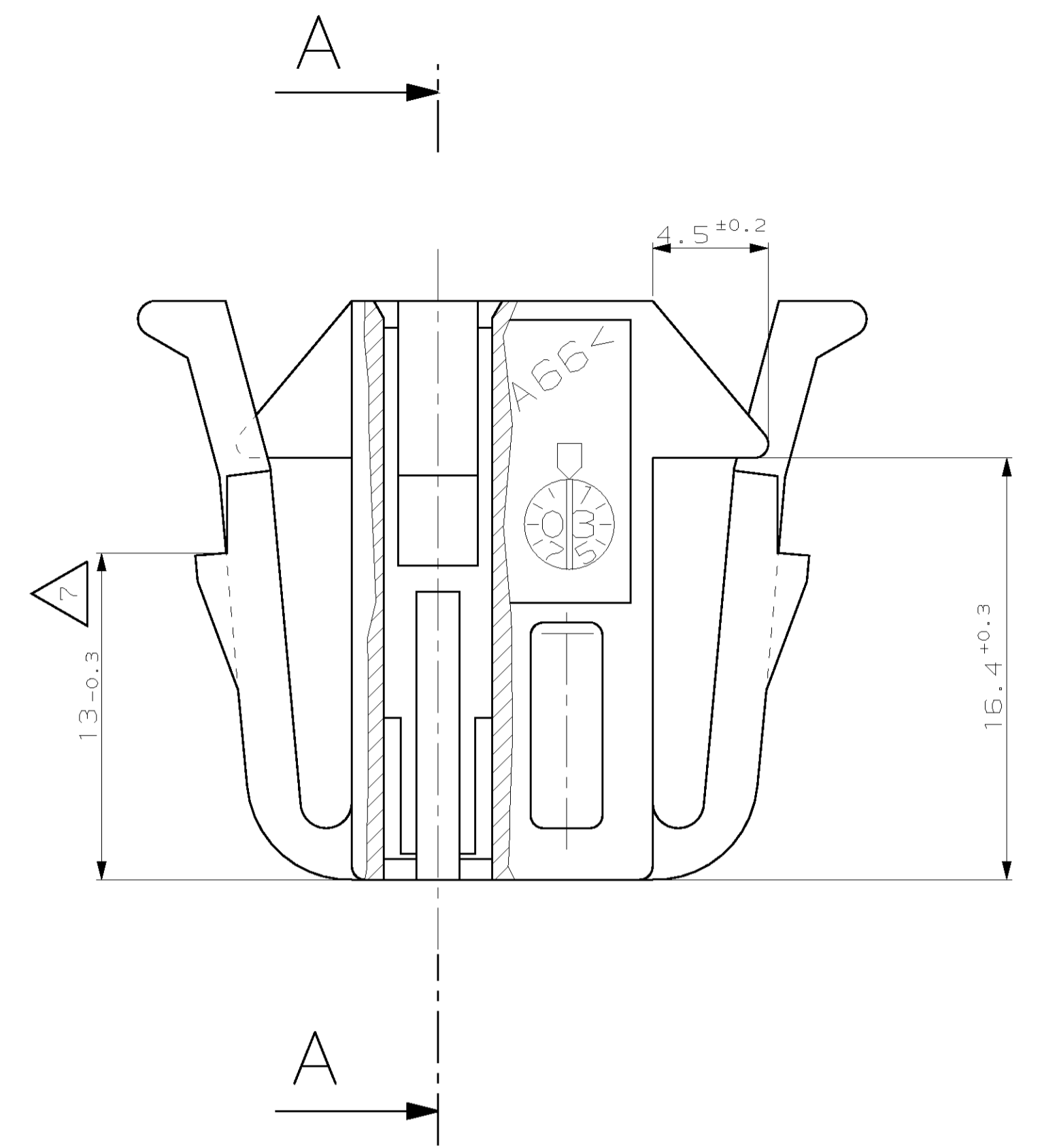
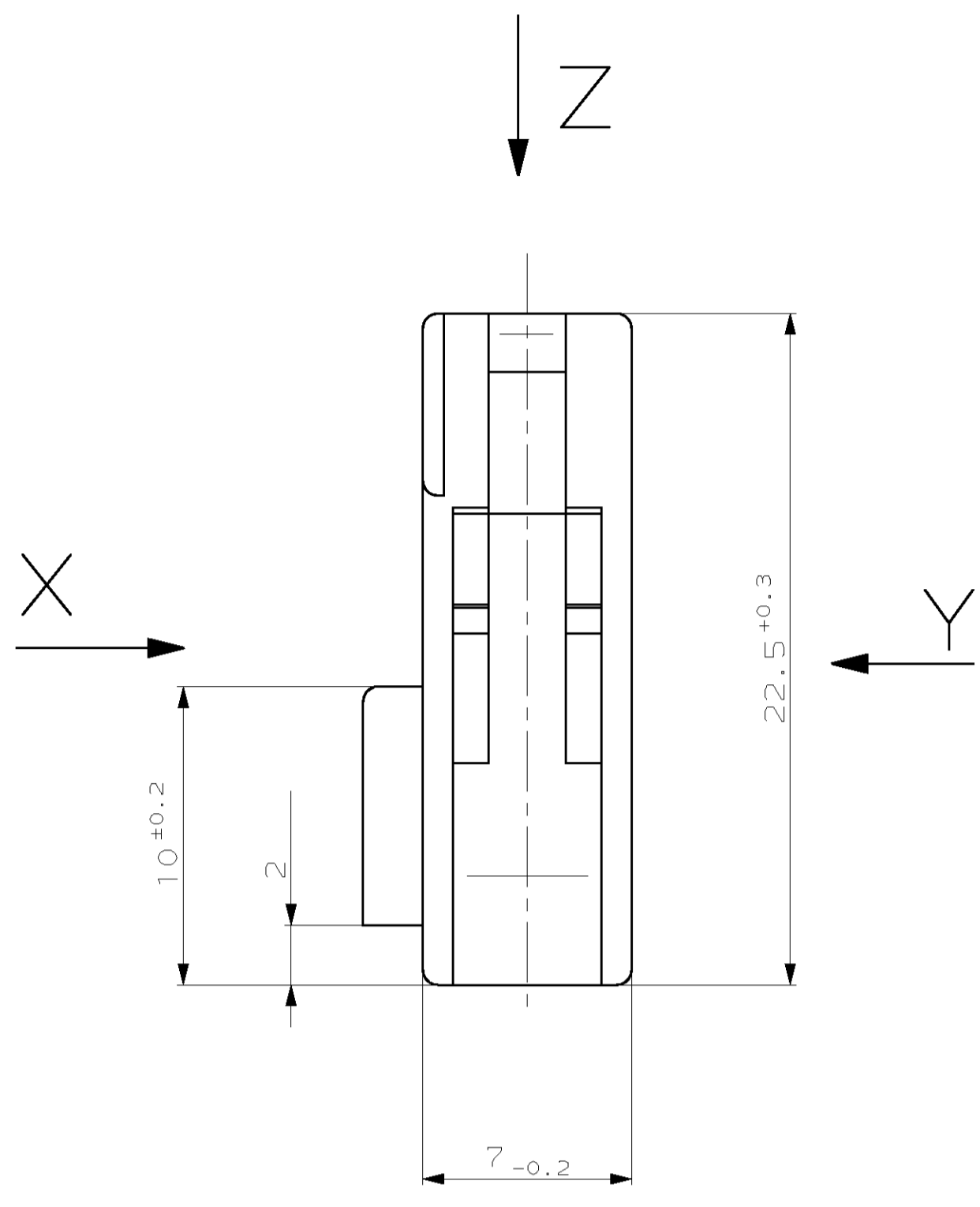


LOC	DIST	REV	LYR	DESCRIPTION	DATE	DN	APVD
AI	-	A1	NEW DRAWING PUBLISHED		26NOV1999	L. Schöfer	-
		A2	DRAWING REWORKED		02MAR2000	L. Schöfer	-
		A3	NOTE 6 1355047 WAS 116-1B014		07SEP2000	L. Schöfer	-
		A4	NEW DASH NUMBER 1355390-6 ADDED		09JUL2003	M. Kirscher	-

SECTION A-A  
Schnitt

- NOTES
- 1 TYCO-LOGO
  - 2 AMP ORDER-NO.
  - 3 MATERIAL ACC. VDA 260
  - 4 DATE OF PROCESS
  - 5 CAVITY MARKING
  - 6 USED WITH CONTACTS ACC. TO PRODUCT GROUP DRAWING 1355047
  - 7 DIMENSION MEASURED IN 0° POSITION OF LOCKING LATCH
  - 8 COUNTER PART 1718050-1

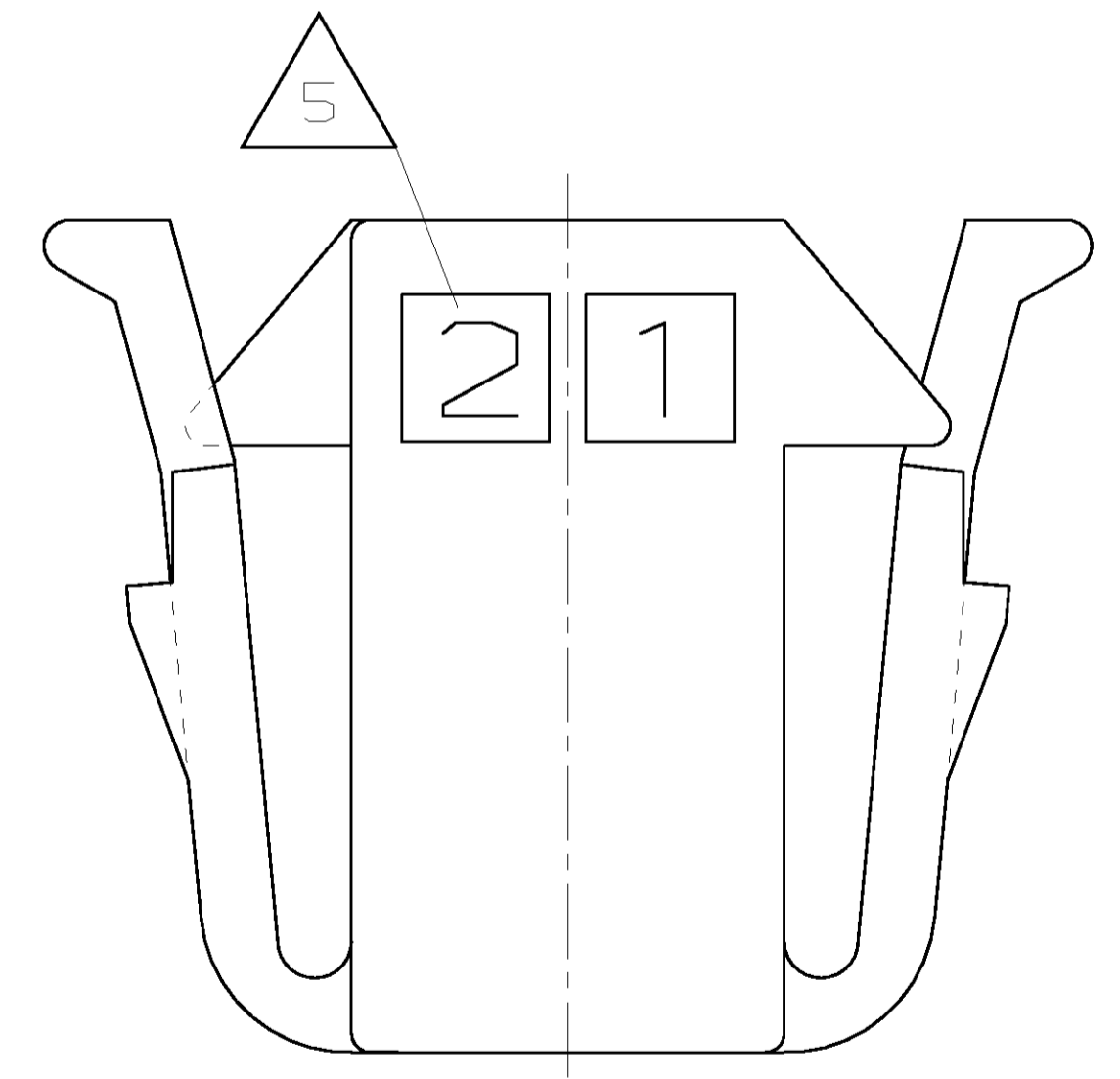
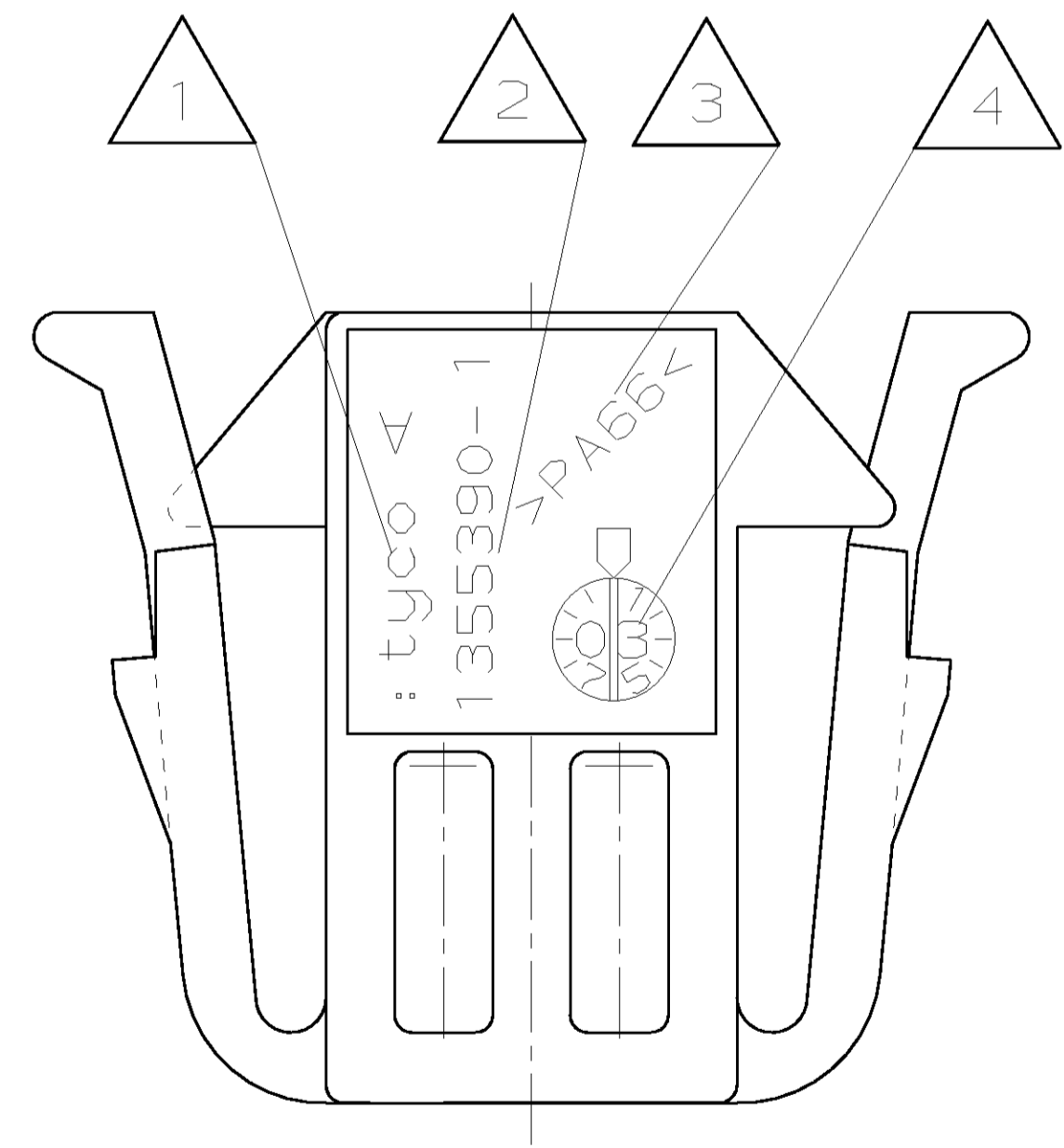
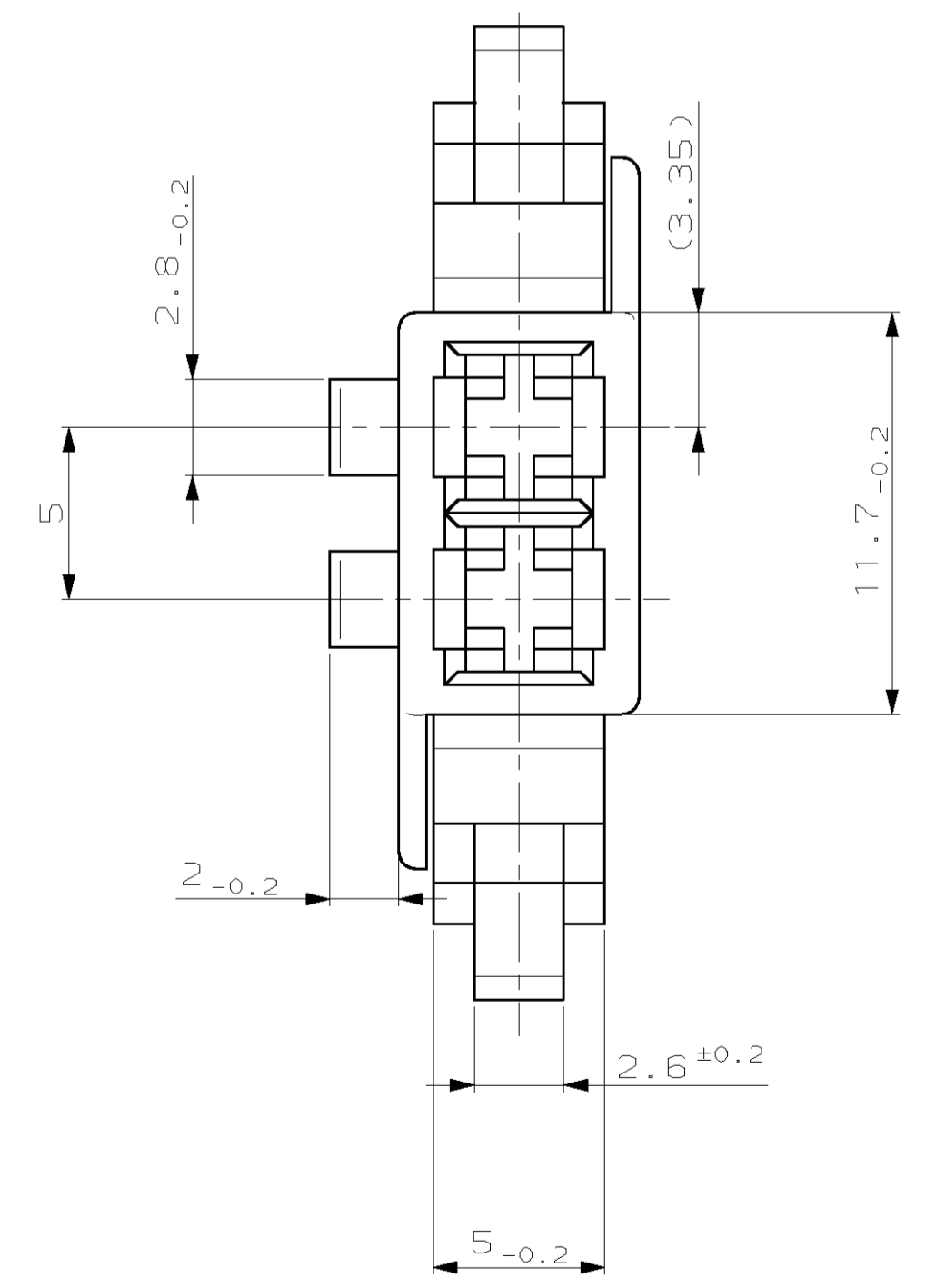
- Bemerkungen
- 1 tyco-Logo
  - 2 Bestellnummer
  - 3 Materialkennzeichnung nach VDA 260
  - 4 Herstellungsdatum
  - 5 Kammer-Nummerierung
  - 6 verwendet mit Kontakten nach AMP Tabellenzeichnung 1355047
  - 7 Masse sind zu messen bei 0° Rastarmstellung
  - 8 Gegenstecker PN 1718050-1



VIEW Z  
Ansicht

VIEW X  
Ansicht

VIEW Y  
Ansicht



PN 1355390-1 AS SHOWN wie dargestellt

CONTACTS	AMP ORDER NO. (STRIP)	AMP ORDER NO. (GLP)	WIRE RANGE	MATERIAL	FINISH	APPLICATION TOOLING
JUNIOR POWER TIMER Kontakte	965999-2	964346-2	>1.0-2.5mm <sup>2</sup>	CuSn 4	PRE TIN PLATED vorverzinkt	HAND TOOL 539635-1 (Handzange)
	964284-2	964283-2	0.5-1.0mm <sup>2</sup>	CuSn 4	PRE TIN PLATED vorverzinkt	DIE SET 539664-2 (Matrzensatz)
	964280-2	964279-2	0.2-0.5mm <sup>2</sup>	CuSn 4	PRE TIN PLATED vorverzinkt	Kontakt-Entrieg- lungs-Merkzeug 968107-1

DATE: 25NOV1999	BY: L. Schöfer	CHK: L. Nix	AMP Deutschland GmbH D - 63225 Langen
DIMENSIONS: mm	TOLERANCES UNLESS OTHERWISE SPECIFIED, ALL DIMENSIONS	FINISH/SURFACE COLOR	REVISIONS
PLC 1: ±0.15	PLC 2: ±0.15	PLC 3: ±	SIZE: A1
DESCRIPTION: HOUSING, JUNIOR-POWER-TIMER CONTACTS, 2POSN.	WEIGHT: 1.7g	CUSTOMER DRAWING	RESTRICTED TO MAP FILE
CUSTOMER PART NO: 1355390-1	AMP PART NO: 1355390-1	REV: A	DATE: 09JUL2003

CUSTOMER PART NO	AMP PART NO	REV.	PCS.	MATERIAL	SURFACE COLOR	DESCRIPTION	ITEM NO
-	-	-	-	-	-	-	-
-	1355390-6	A	-	PA 66	WHITE/weiß	HOUSING, 2POSN/Gehäuse, 2pol	-
-	1355390-1	A	-	PA 66	BLACK/schwarz	HOUSING, 2POSN/Gehäuse, 2pol	-