



BOARD LEVEL COOLING – Plug In 5600

Plug In 5600 is a series of plug in channel board level heat sinks designed to cool multiwatt and SIP devices. Representative image only.

ORDERING INFORMATION

Part Number	Device Type
566010B00000G	Multiwatt, SIP
566010B03400G	Multiwatt, SIP

HEAT SINK DETAILS

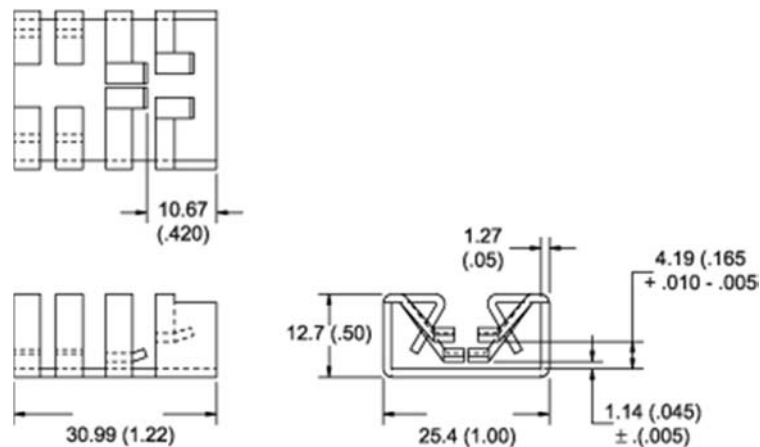
Property	Details
Material	Aluminum
Finish	Black Anodize
Device Attachment Options	Integrated Spring Action Clips
Thermal Interface Material	-

Property	Details
Heat Sink Width (mm)	25.40
Heat Sink Length (mm)	12.70
Heat Sink Height (mm)	30.99
Heat Sink Mounting Direction	Horizontal, Vertical

MECHANICAL & PERFORMANCE

Drawing dimensions are shown in mm, (in)

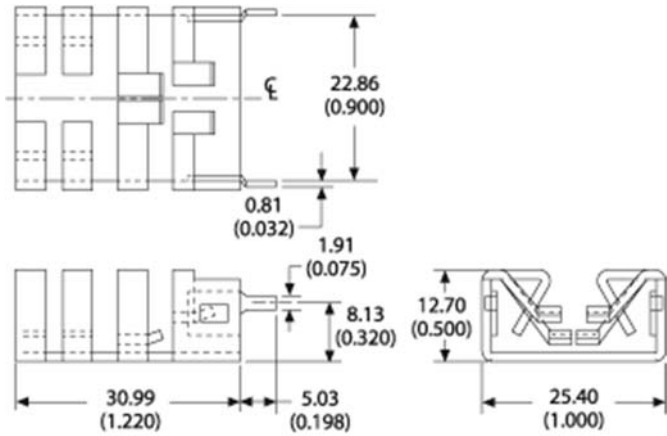
Part Number: 566010B00000G



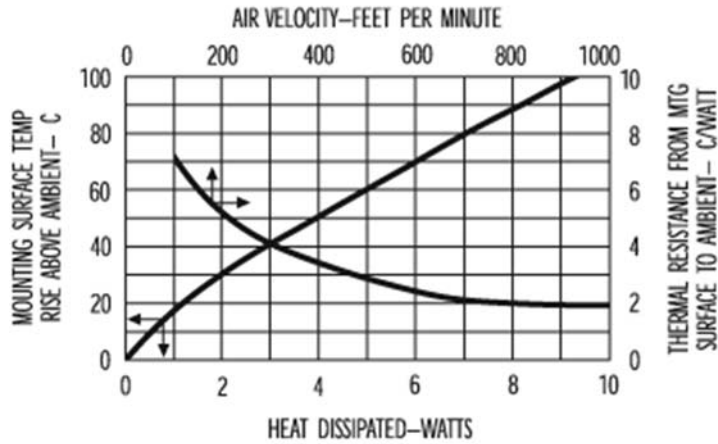
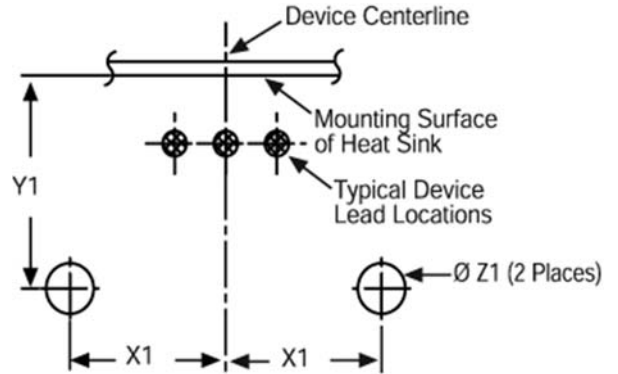
Board Level Cooling – Plug In 5600

Part Number: 566010B03400G

Mounting Details:



Part Number	"X" Dim	"Y" Dim	"Z" Dim
566010B03400G	11.43	8.13	1.91



Mouser Electronics

Authorized Distributor

Click to View Pricing, Inventory, Delivery & Lifecycle Information:

Aavid:

[566010B03400G](#) [566010B00000G](#)