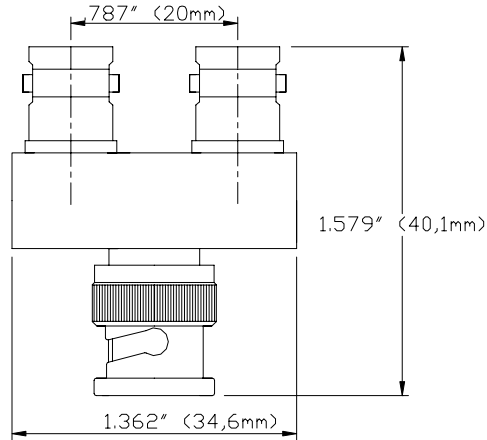


**Model 6754  
BNC (F/M/F) Adapter, In-Line, 75 Ω**



Model 6754 BNC (F/M/F) Adapter, In-Line 75 Ω



Use 75 Ω Pomona BNC In-Line adapters for your broadcast applications

**Features**

- All connectors and adapters are 75 Ω for broadcast applications.
  - Made from precision machined high quality brass.
  - Insulation material is high density PTFE (**not delrin**).

**Materials**

- Body is precision machined brass with tarnish resistant nickel plating.
- Male center pin contacts are gold-plated brass (20 micro-inches).
- Female center contacts are gold-plated heat treated beryllium copper.
- High quality machined PTFE dielectric.

**Ordering Information**

Model: 6754

**Specifications**

Nominal impedance	75 Ω
Frequency	0-3 GHz
VSWR	1.10 max. 0-1 GHz 1.35 max. 1-3 GHz
Center contact resistance	1.5 mΩ
Insulation resistance	5000 MΩ
Number of insertions	500

**Ratings:**

Voltage: 500 Vrms  
Operating Temperature: -85 °F to +329 °F (-65 °C to +165 °C) Max.

USA: Sales: 800-490-2361 Technical Support: 800-241-2060 Fax: 888-403-3360

Europe: 31-(0) 40 2675 150 International: 425-446-5500

e-mail: [technicalsupport@pomonatest.com](mailto:technicalsupport@pomonatest.com)

Where to Buy: [www.pomonaelectronics.com](http://www.pomonaelectronics.com)

All dimensions are in inches. Tolerances (except noted): .xx = ±.02" (.51 mm), .xxx = ±.005" (.127 mm). All specifications are to the latest revisions. Specifications are subject to change without notice. Registered trademarks are the property of their respective companies.

# Mouser Electronics

Authorized Distributor

Click to View Pricing, Inventory, Delivery & Lifecycle Information:

Pomona:

[6745](#) [6754](#) [6752A](#) [6754#](#)