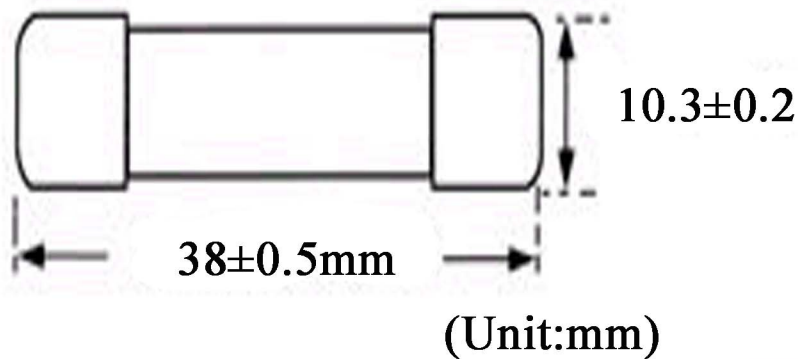


Rated Current:
1A~40A (250V、500V)

ELECTRICAL CHARACTERISTICS:

RATING	BLOWING TIME
110%	4hours Min
135%	1hour Max
200%	120sec Max



TOLERANCES UNLESS NOTED OTHER WISE X XX XXX 90° FORMED +20° ANGLES -1	DRAWN		MODEL NO.	CUSTOMER			
	DESIGN		FBCEPF1078	CUSTOMER NO.			
	CHECKED			DWG NO.	VER	1:1	SCALE
	APPROVED		DATE	07/16/25	UNIT	mm	SHEET
	CONTRACT NO.		Ningbo Best Group CO., LTD www.fbele.com E-mail:sales@fbele.com Tel:+86-574-87793491 Fax:+86-574-87792835				
	AGENCY APPROVAL						

