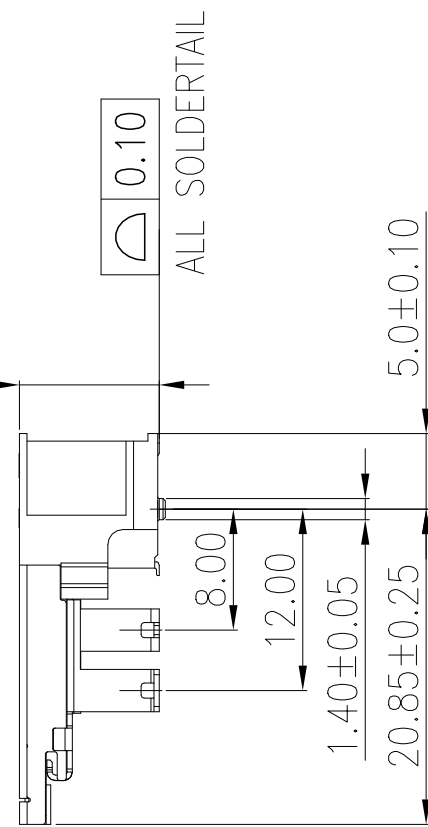
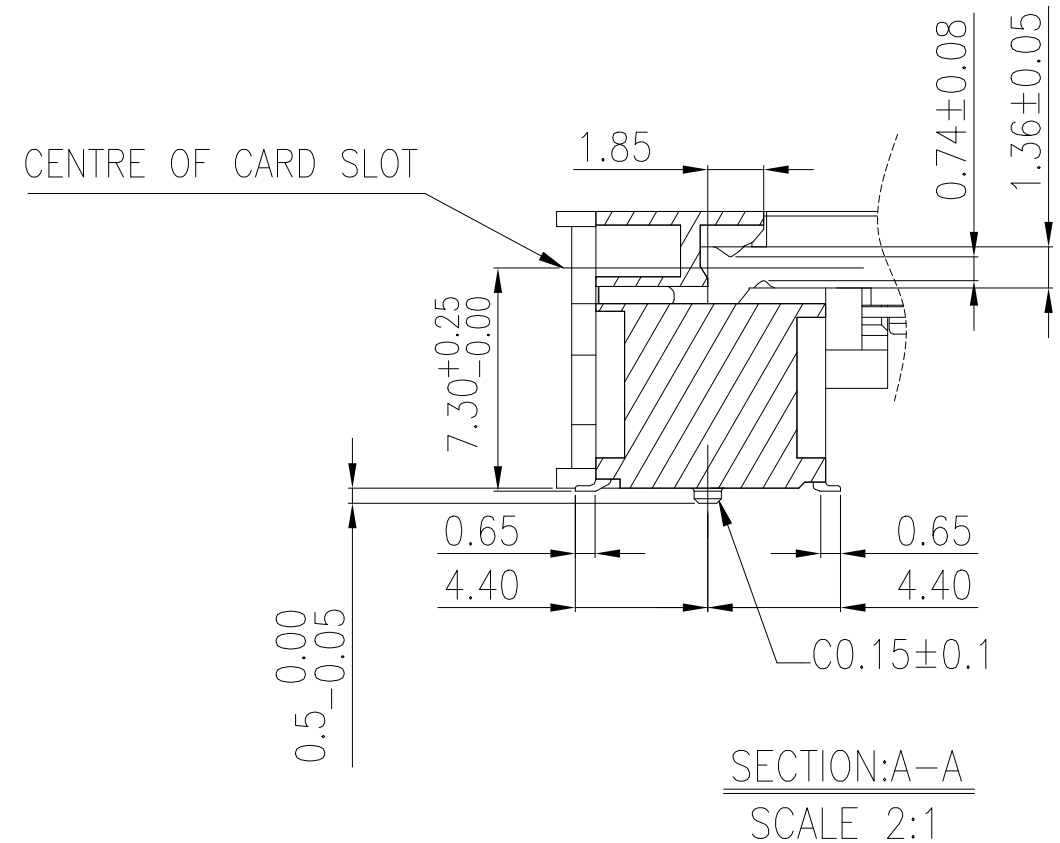
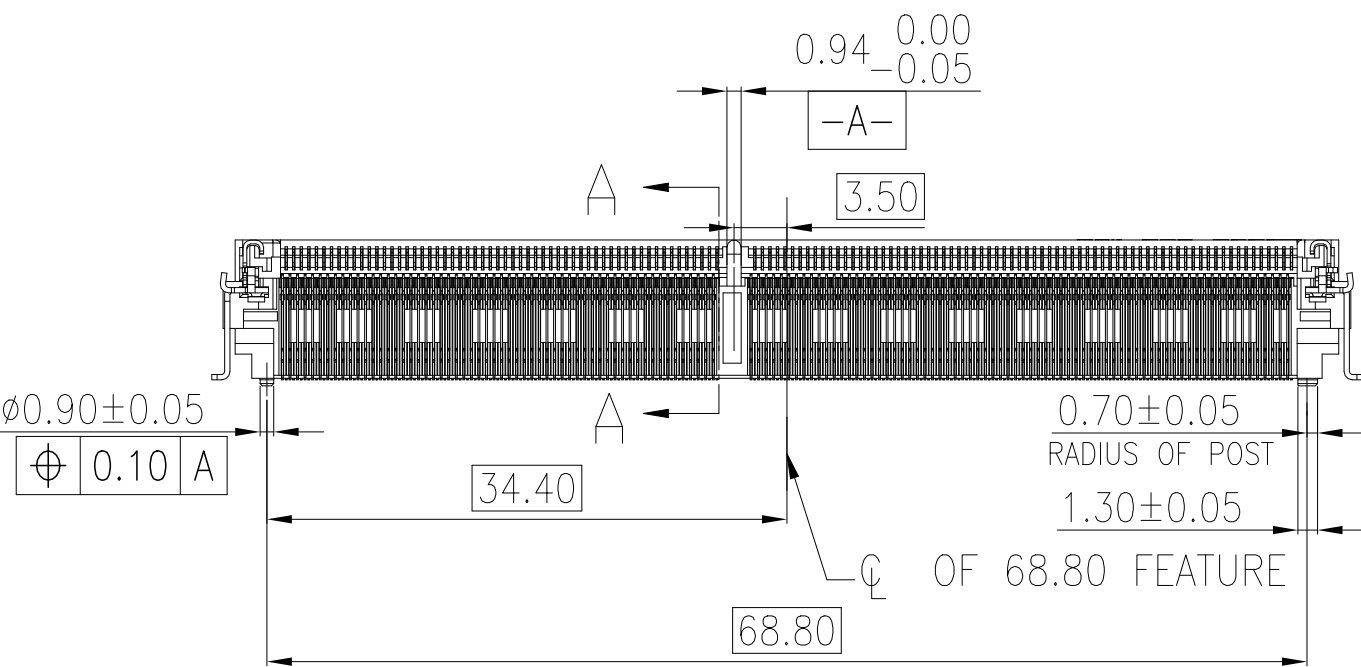
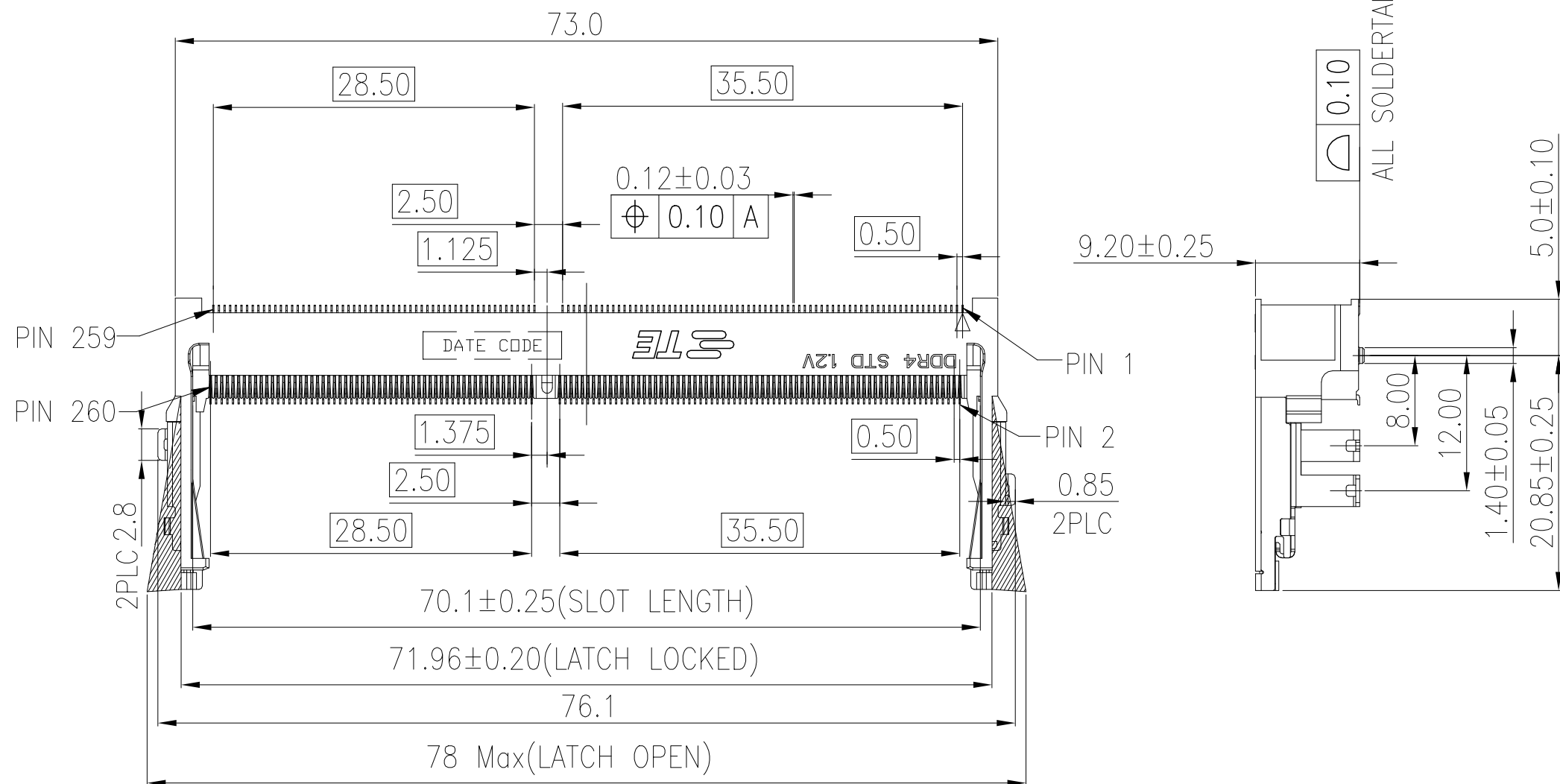
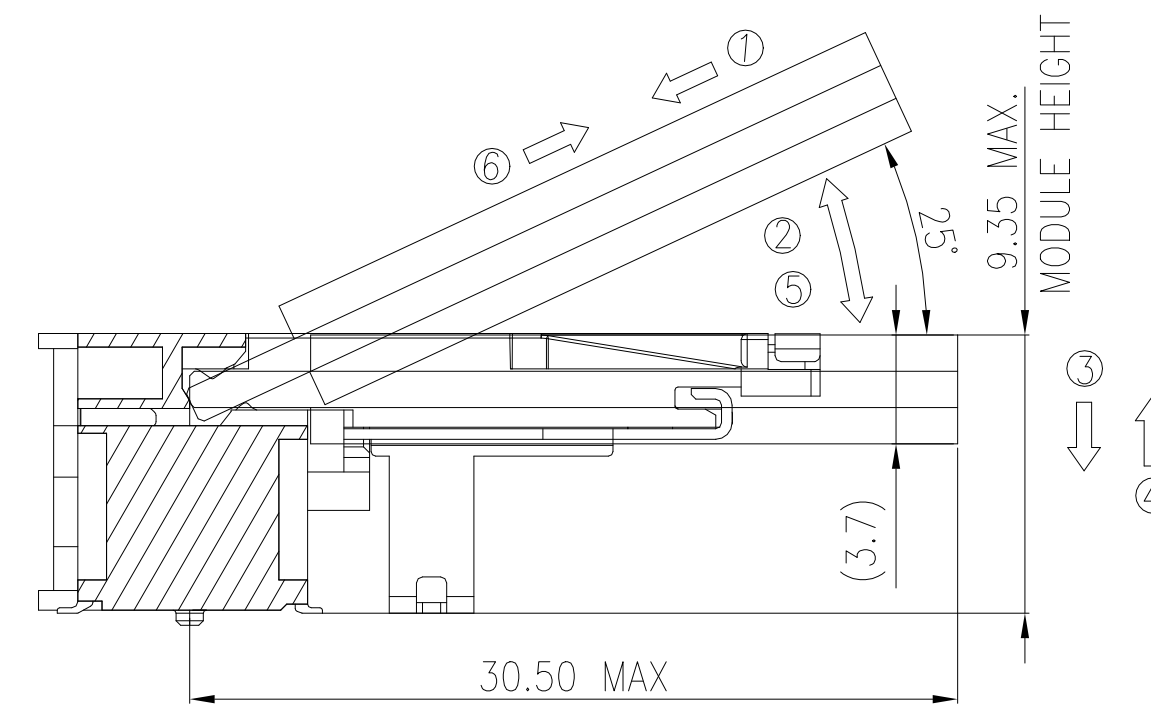


REVISIONS					
P	LTR	DESCRIPTION	DATE	DWN	APVD
6		REVISED PER ECR-21-001415	03FEB2021	S.S	N.S



NOTES:

- MATERIAL:
  - HOUSING: HIGH TEMPERATURE THERMO PLASTIC, UL94V-0, COLOR: BLACK.
  - CONTACT: COPPER ALLOY.
  - SOLDER PEG AND LATCH: STAINLESS STEEL.
- FINISH:
  - SOLDER PEG: GOLD FLASH ON 50u" MIN NICKEL UNDERPLATED ALL OVER.
  - CONTACT SOLDER AREA: GOLD FLASH ON SOLDER TAIL.
  - CONTACT AREA: GOLD FLASH ON 50u" MIN NICKEL UNDERPLATED ALL OVER.
  - CONTACT AREA: 5u" ON 50u" MIN NICKEL UNDERPLATED ALL OVER.
  - CONTACT AREA: 10u" ON 50u" MIN NICKEL UNDERPLATED ALL OVER.
  - CONTACT AREA: 15u" ON 50u" MIN NICKEL UNDERPLATED ALL OVER.
  - CONTACT AREA: 30u" ON 50u" MIN NICKEL UNDERPLATED ALL OVER.
- COPLANARITY: 0.10 MAX. (BEFORE SOLDERING)



MATING/UNMATING VIEW

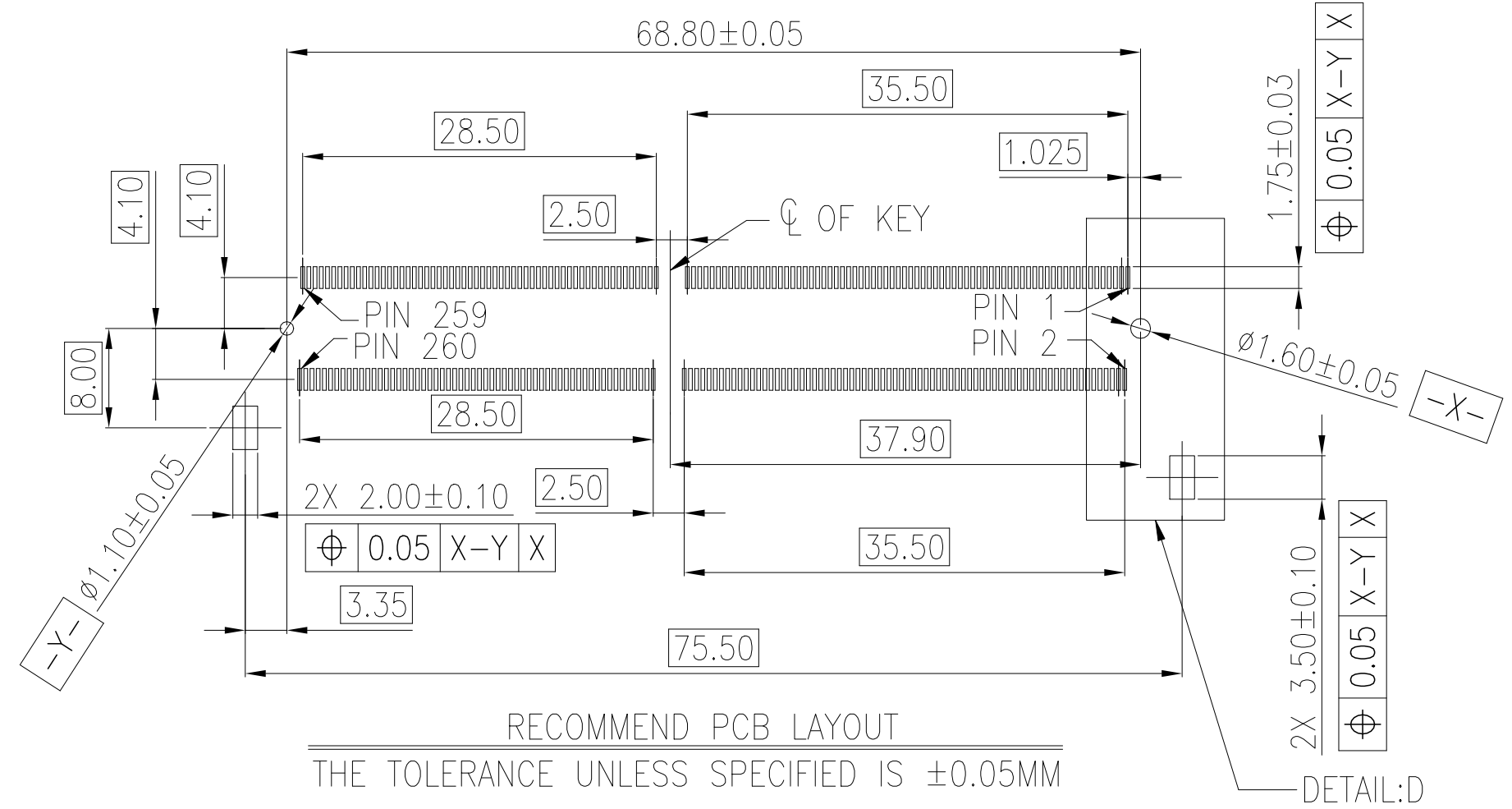
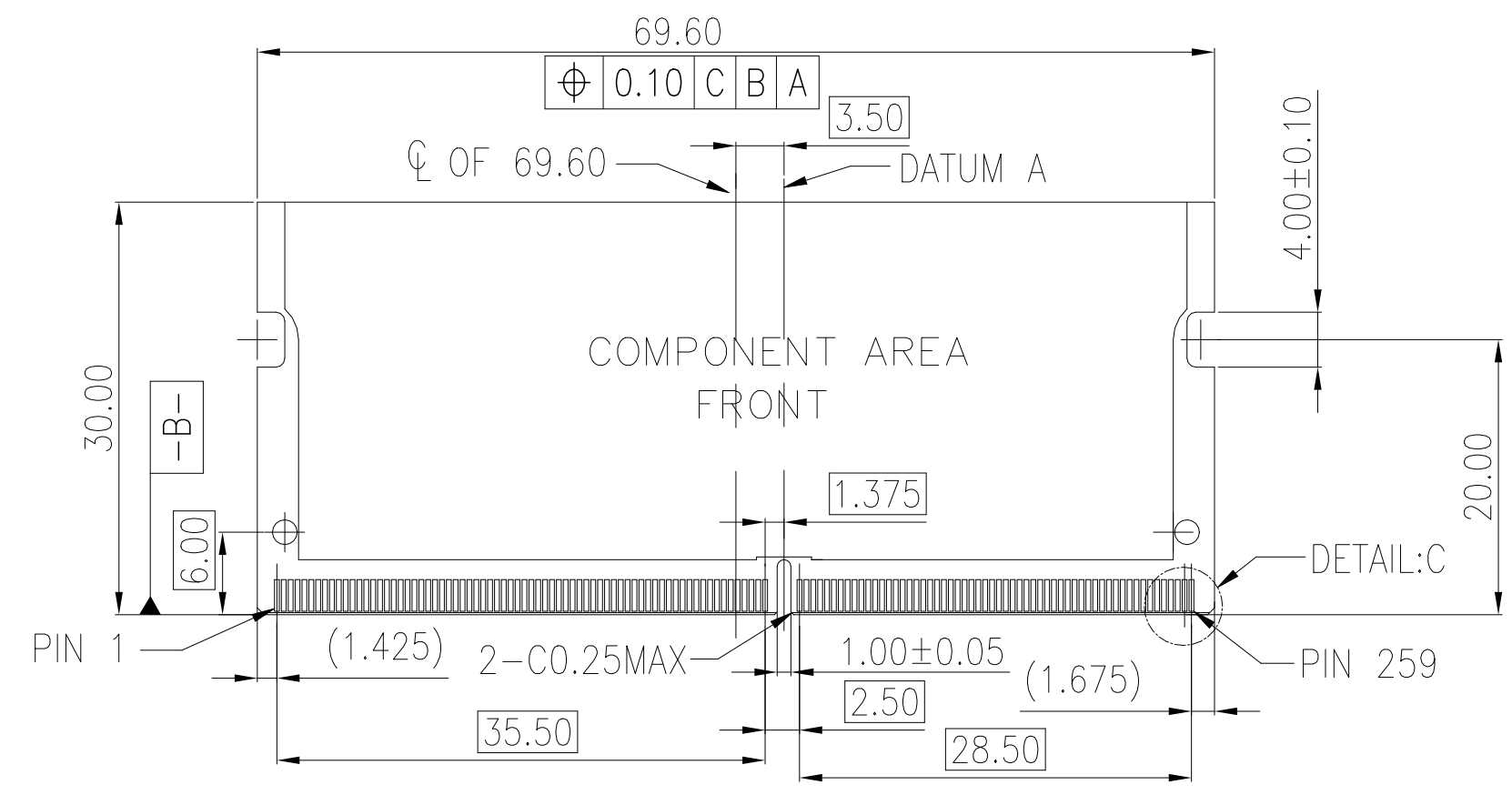
SCALE 2:1

- MATING: ① INSERTING (25°) → ② ROTATING → ③ FIXED  
 UNMATING: ④ UNFIXED → ⑤ ROTATING → ⑥ WITHDRAWING

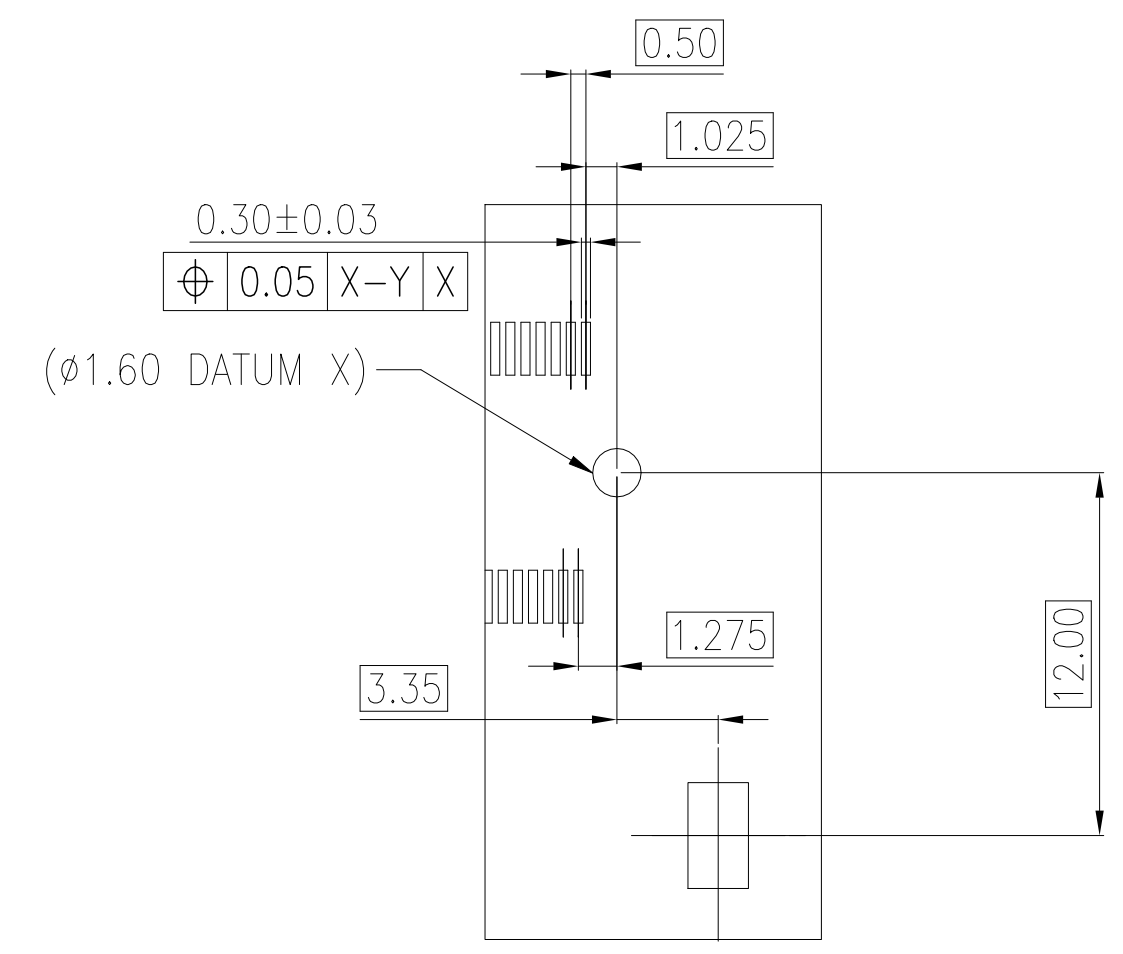
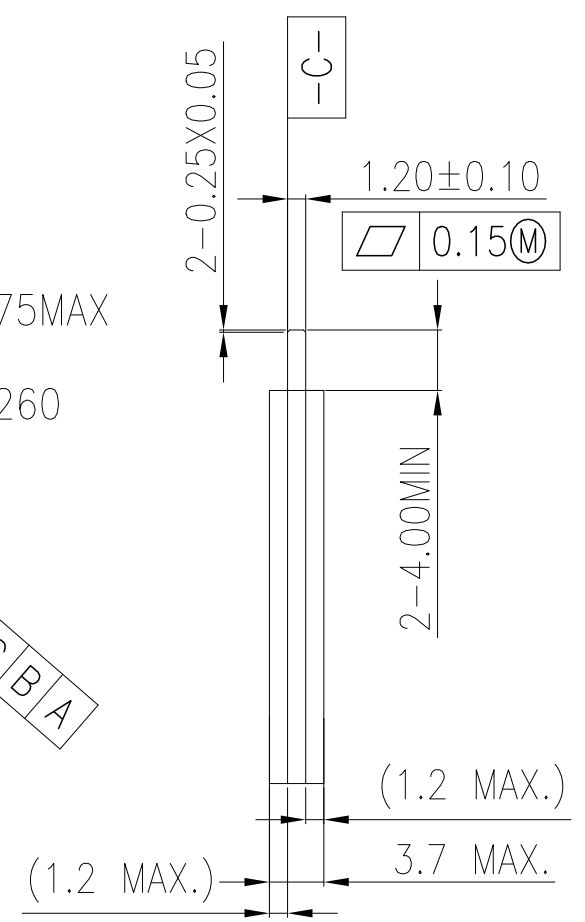
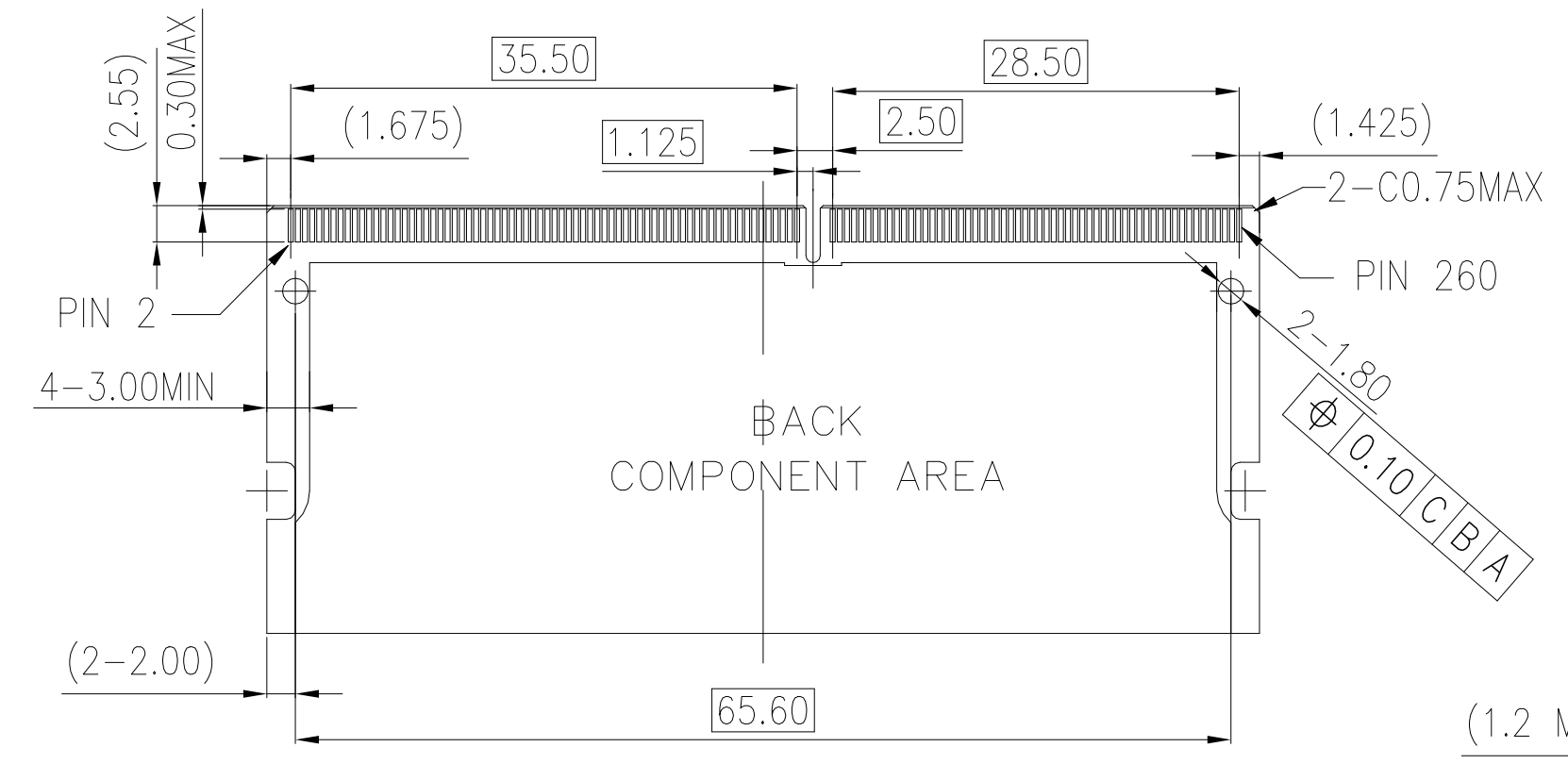
PACKAGE TYPE	HOUSING COLOR	POWER SUPPLY	FINISH	POS	PART NO.
PACKAGE TYPE 2	BLACK	1.2V	GF	260	2309413-6
PACKAGE TYPE 1	BLACK	1.2V	30u"	260	2309413-5
PACKAGE TYPE 1	BLACK	1.2V	15u"	260	2309413-4
PACKAGE TYPE 1	BLACK	1.2V	10u"	260	2309413-3
PACKAGE TYPE 1	BLACK	1.2V	5u"	260	2309413-2
PACKAGE TYPE 1	BLACK	1.2V	GF	260	2309413-1

THIS DRAWING IS A CONTROLLED DOCUMENT.		DWN DAVID ZHAO 09SEP2016			
DIMENSIONS: mm		CHK RICHARD MA 09SEP2016			
TOLERANCES UNLESS OTHERWISE SPECIFIED:		APVD SIMON LI 09SEP2016	NAME		
0 PLC ± -		PRODUCT SPEC		DDR4 SODIMM SOCKET	
1 PLC ± 0.25		APPLICATION SPEC		0.5mm PITCH 260POS	
2 PLC ± 0.15		108-115122		9.2mm HEIGHT STANDARD TYPE	
3 PLC ± 0.10		-		SIZE CAGE CODE DRAWING NO	
4 PLC ± 0		-		RESTRICTED TO	
ANGLES ± -		WEIGHT -		A2 00779 C=2309413	
FINISH		CUSTOMER DRAWING		SCALE 1:1 SHEET 1 of 5 REV 6	

REVISIONS					
P	LTR	DESCRIPTION	DATE	DWN	APVD
-	-	SEE SHEET 1	-	-	-



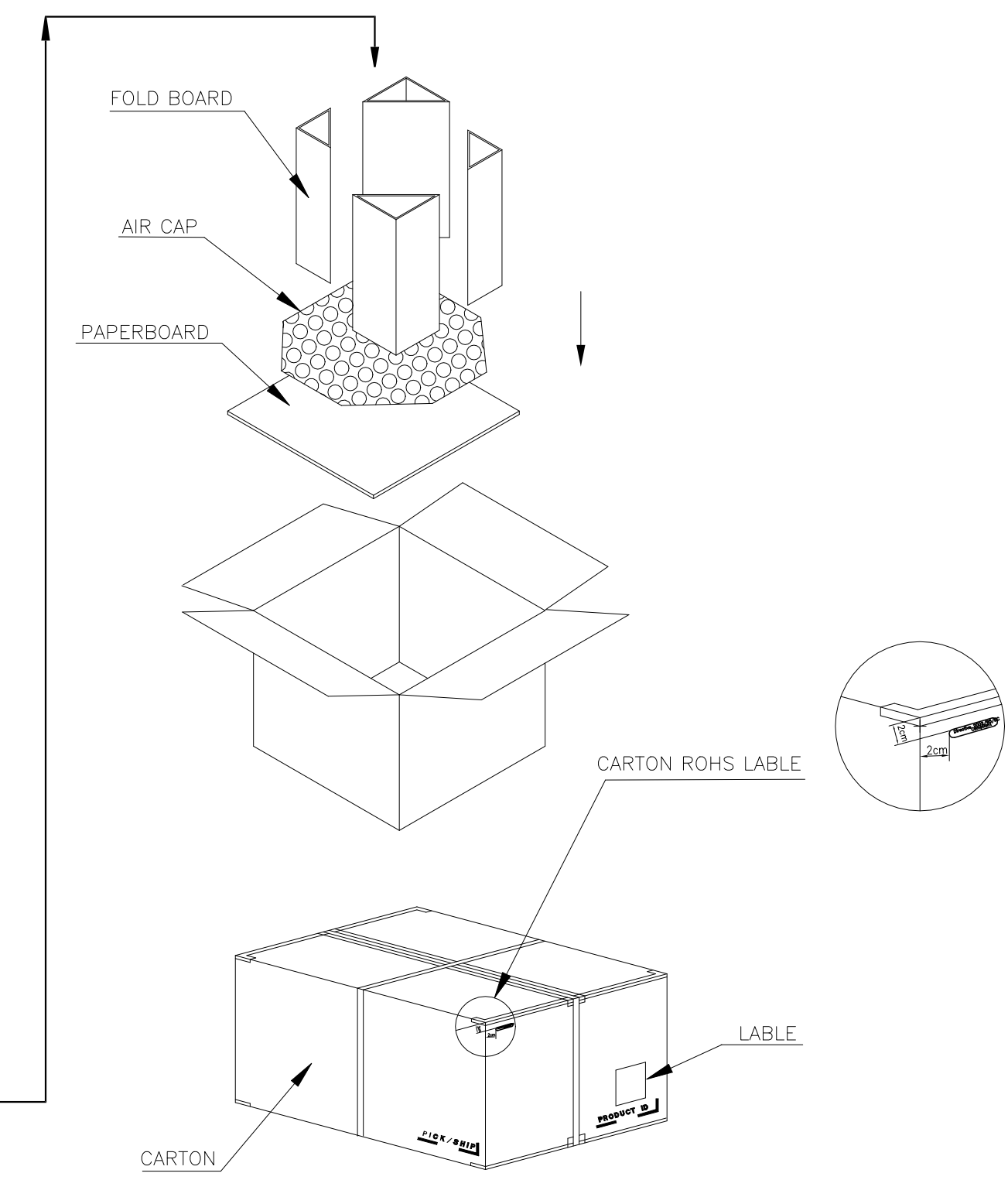
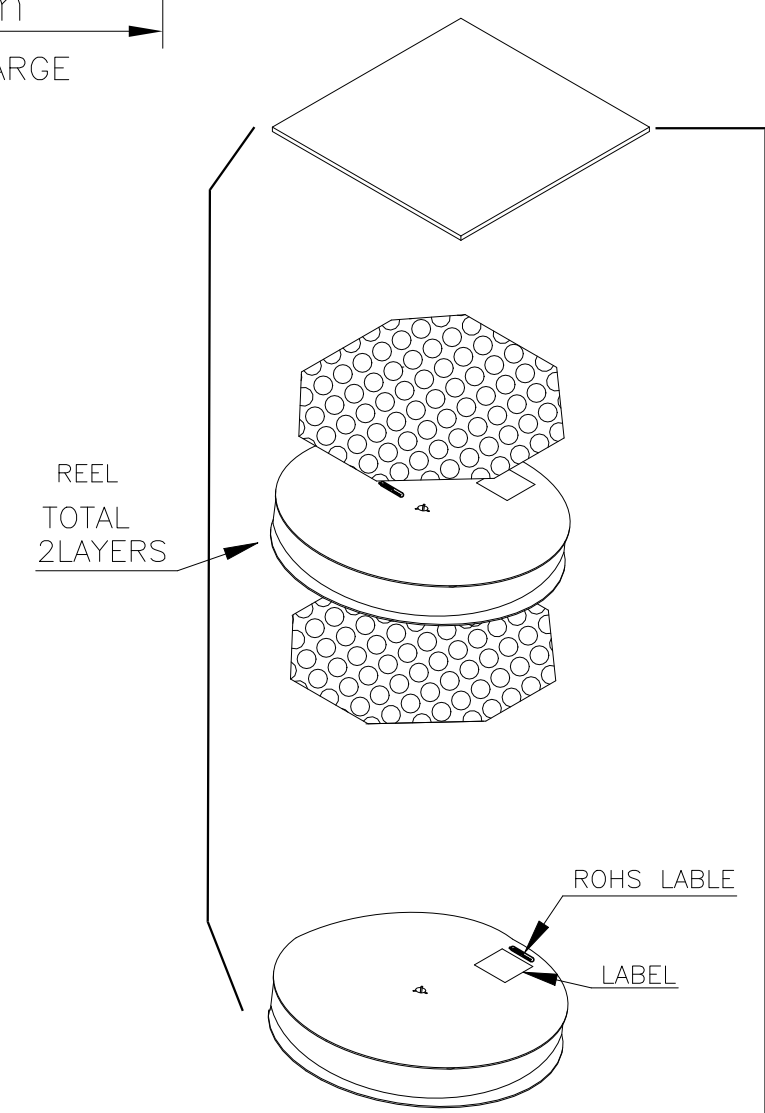
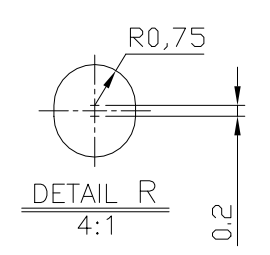
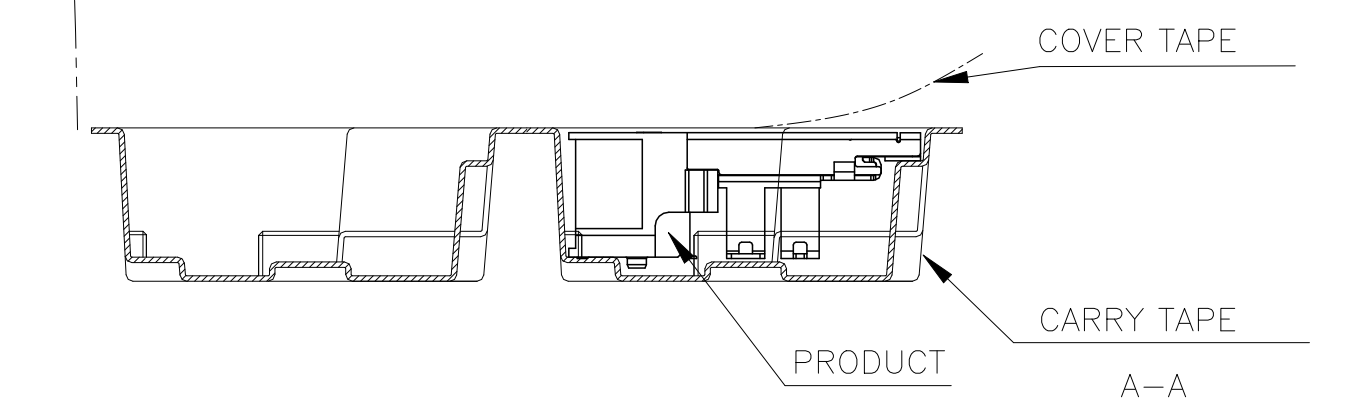
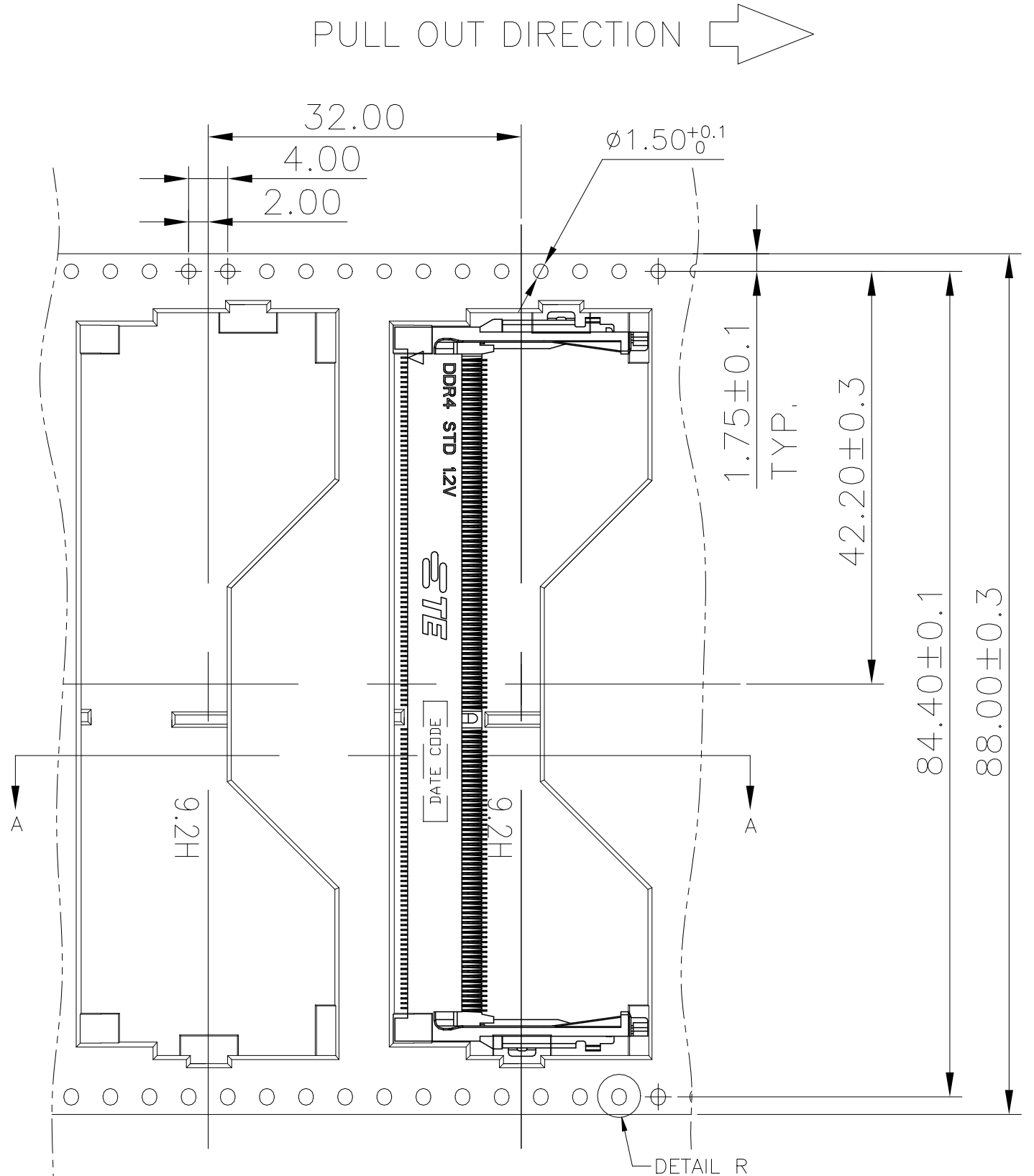
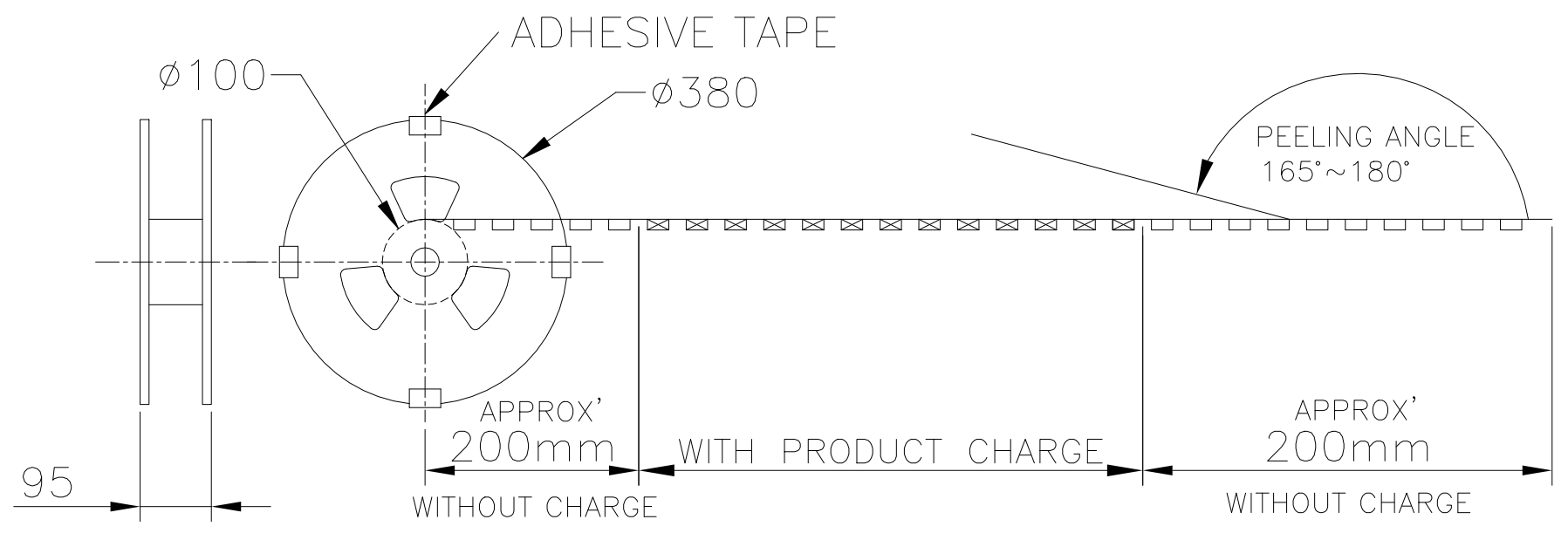
RECOMMEND PCB LAYOUT  
 THE TOLERANCE UNLESS SPECIFIED IS ±0.05MM



THIS DRAWING IS A CONTROLLED DOCUMENT.		DWN DAVID ZHAO 09SEP2016		TE Connectivity		
DIMENSIONS: mm		CHK RICHARD MA 09SEP2016		NAME		
TOLERANCES UNLESS OTHERWISE SPECIFIED:		APVD SIMON LI 09SEP2016		DDR4 SODIMM SOCKET		
0 PLC ± 1 PLC ± 2 PLC ± 3 PLC ± 4 PLC ± ANGLES ± FINISH ±		PRODUCT SPEC		0.5mm PITCH 260POS		
MATERIAL		APPLICATION SPEC	9.2mm HEIGHT STANDARD TYPE			
		WEIGHT	SIZE A2	CAGE CODE 00779	DRAWING NO C=2309413	
		CUSTOMER DRAWING	SCALE 1:1	SHEET 2 OF 5	REV 6	

REVISIONS					
P	LTR	DESCRIPTION	DATE	DWN	APVD
-	-	SEE SHEET 1	-	-	-

# PACKAGE TYPE 1

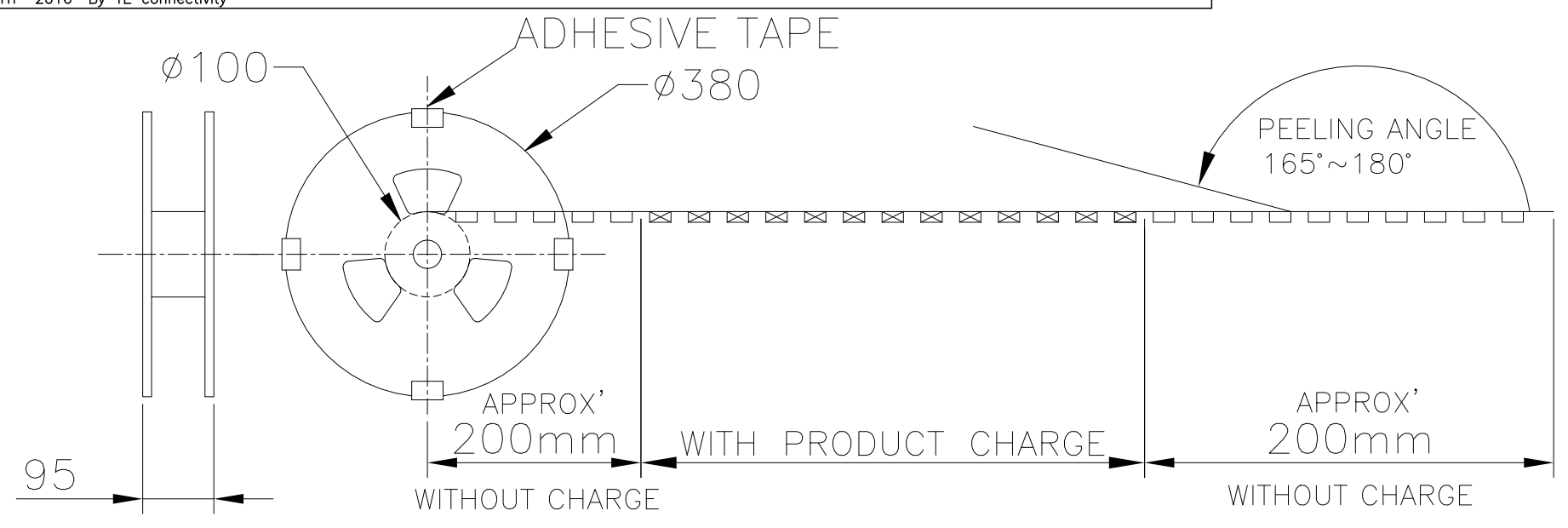


PCS/ REEL	REEL/ CARTON	PCS/ CARTON	PART NUMBER
250	2	500	2309413-5
250	2	500	2309413-4
250	2	500	2309413-3
250	2	500	2309413-2
250	2	500	2309413-1

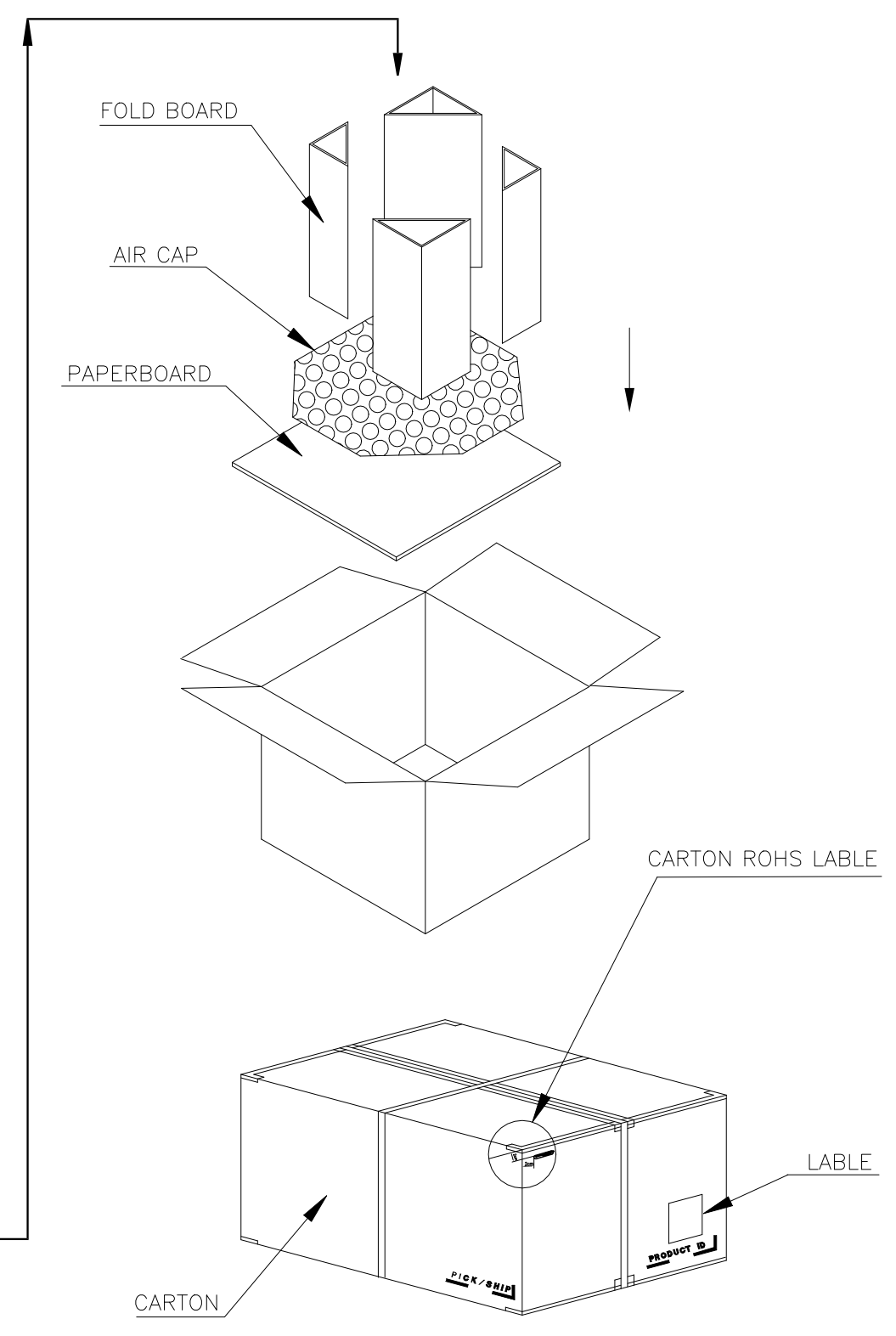
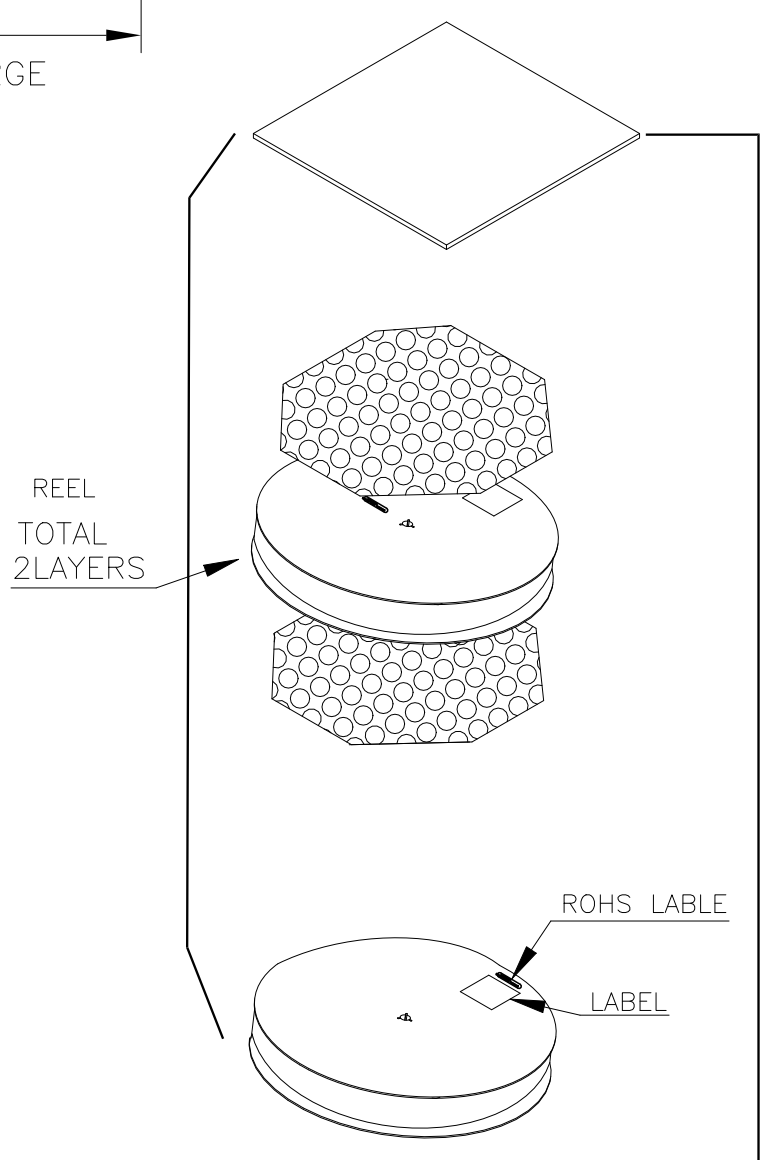
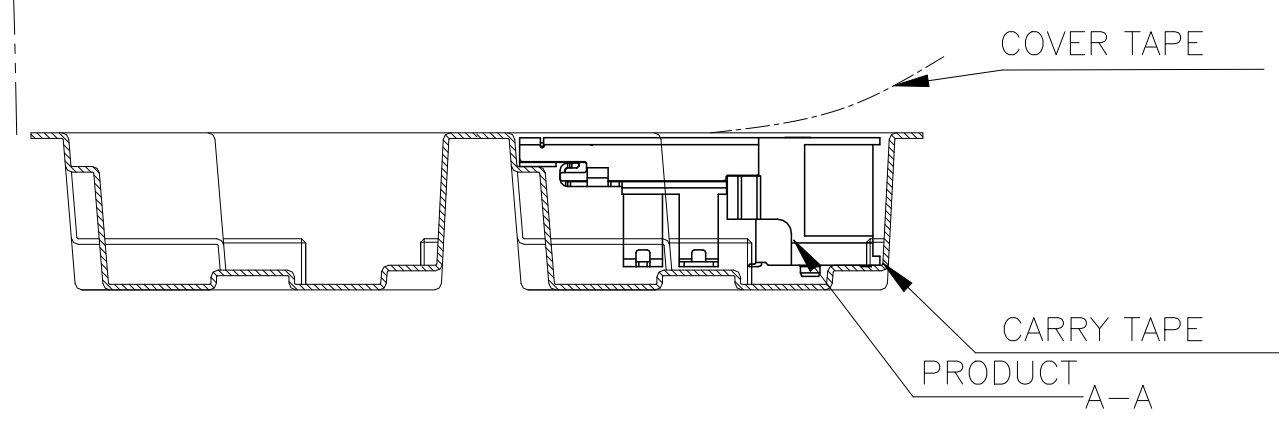
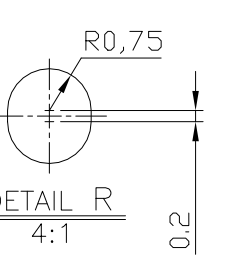
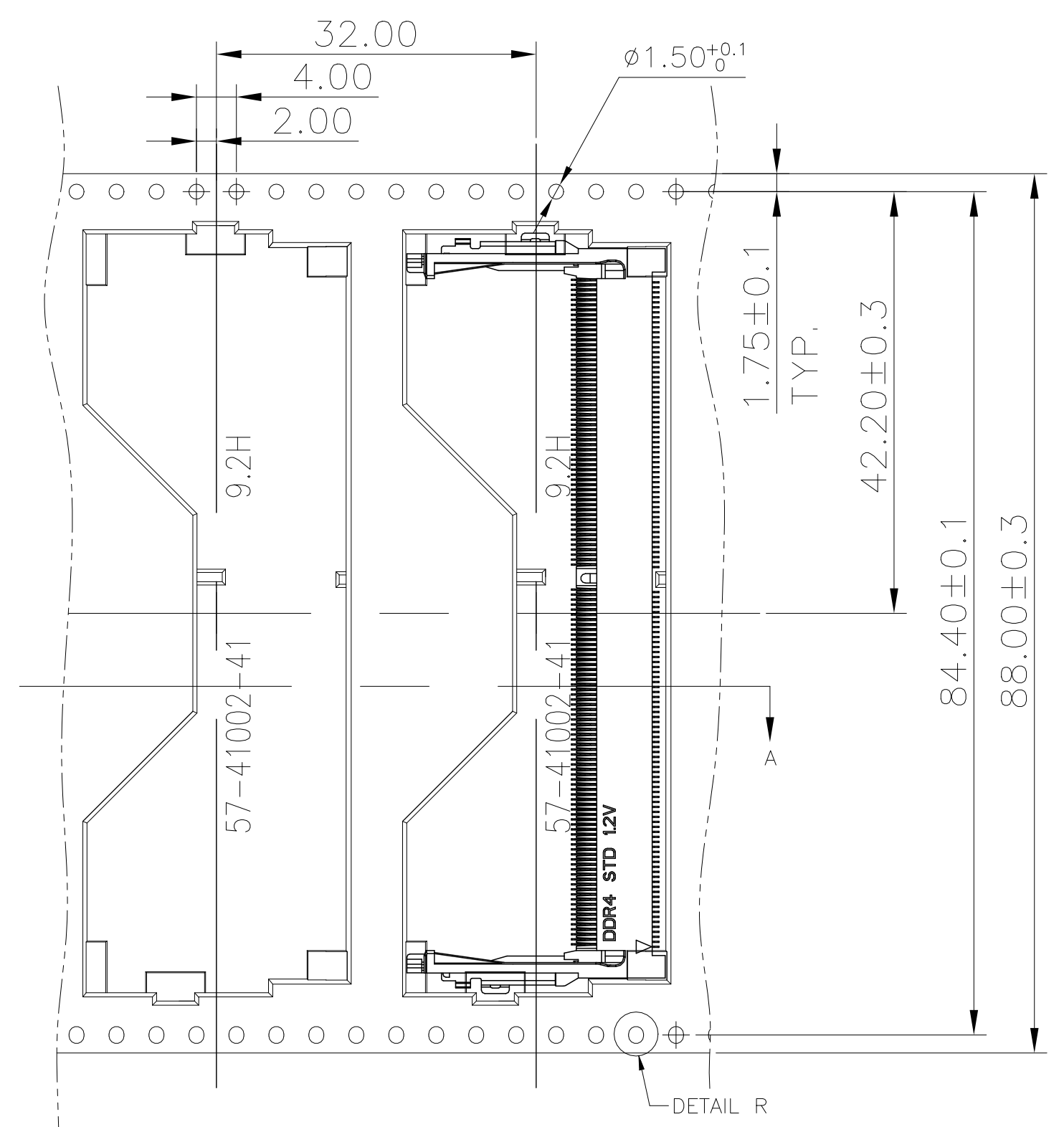
THIS DRAWING IS A CONTROLLED DOCUMENT.		DWN DAVID ZHAO 09SEP2016	TE Connectivity	
DIMENSIONS: mm		CHK RICHARD MA 09SEP2016		
TOLERANCES UNLESS OTHERWISE SPECIFIED:		APVD SIMON LI 09SEP2016	NAME	
0 PLC ±	1 PLC ± -	PRODUCT SPEC	DDR4 SODIMM SOCKET	
2 PLC ± -	3 PLC ± -	APPLICATION SPEC	0.5mm PITCH 260POS	
4 PLC ± -	ANGLES ± -	WEIGHT	9.2mm HEIGHT STANDARD TYPE	
FINISH		CUSTOMER DRAWING	SIZE A2	RESTRICTED TO
			CAGE CODE 00779	
			DRAWING NO. C=2309413	
			SCALE -	REV 6
			SHEET 3 OF 5	

REVISIONS					
P	LTR	DESCRIPTION	DATE	DWN	APVD
-	-	SEE SHEET 1	-	-	-

# PACKAGE TYPE 2



PULL OUT DIRECTION →



250	2	500	2309413-6
PCS/ REEL	REEL/ CARTON	PCS/ CARTON	PART NUMBER

THIS DRAWING IS A CONTROLLED DOCUMENT.		DWN DAVID ZHAO 09SEP2016	TE Connectivity		
DIMENSIONS: mm		CHK RICHARD MA 09SEP2016			
TOLERANCES UNLESS OTHERWISE SPECIFIED:		APVD SIMON LI 09SEP2016	NAME		
0 PLC ± - 1 PLC ± - 2 PLC ± - 3 PLC ± - 4 PLC ± - ANGLES ± - FINISH -		PRODUCT SPEC	DDR4 SODIMM SOCKET 0.5mm PITCH 260POS 9.2mm HEIGHT STANDARD TYPE		
MATERIAL		APPLICATION SPEC	SIZE A2	CAGE CODE 00779	DRAWING NO C=2309413
		WEIGHT	RESTRICTED TO		
		CUSTOMER DRAWING	SCALE	SHEET 4 of 5	REV 6

# Mouser Electronics

Authorized Distributor

Click to View Pricing, Inventory, Delivery & Lifecycle Information:

[TE Connectivity:](#)

[2309413-1](#)