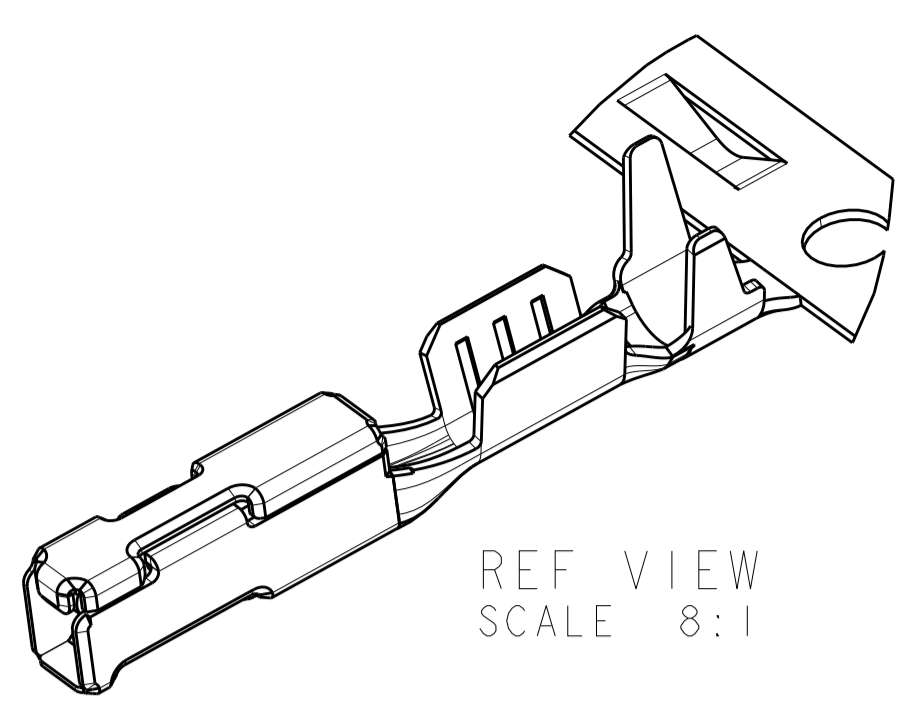
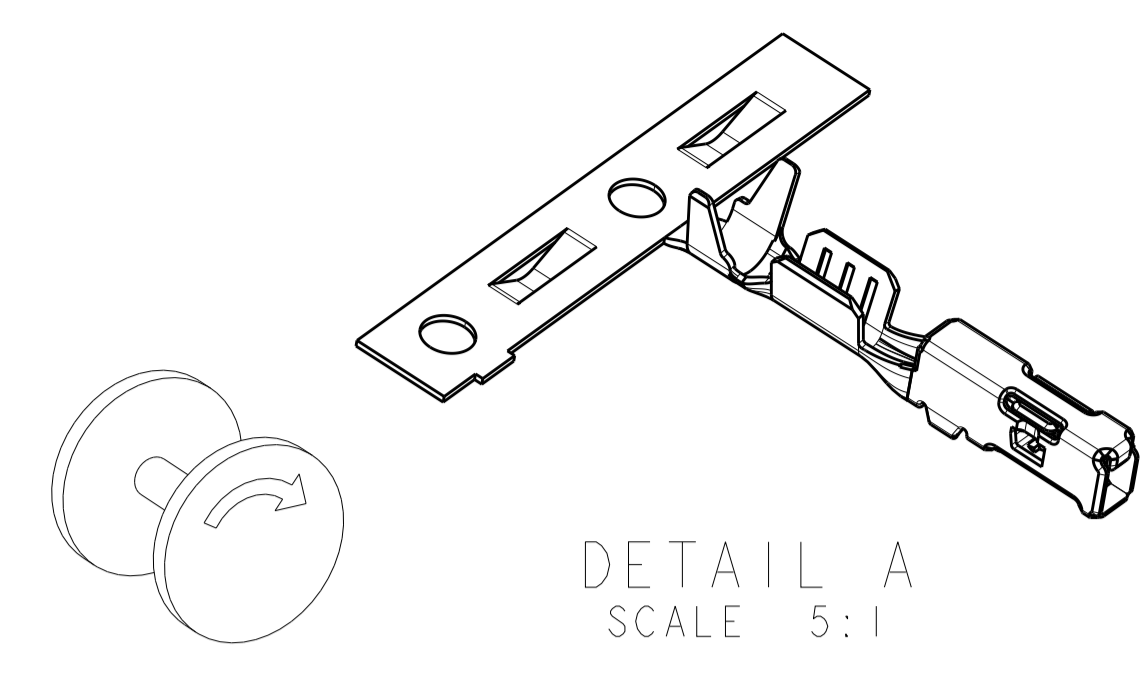
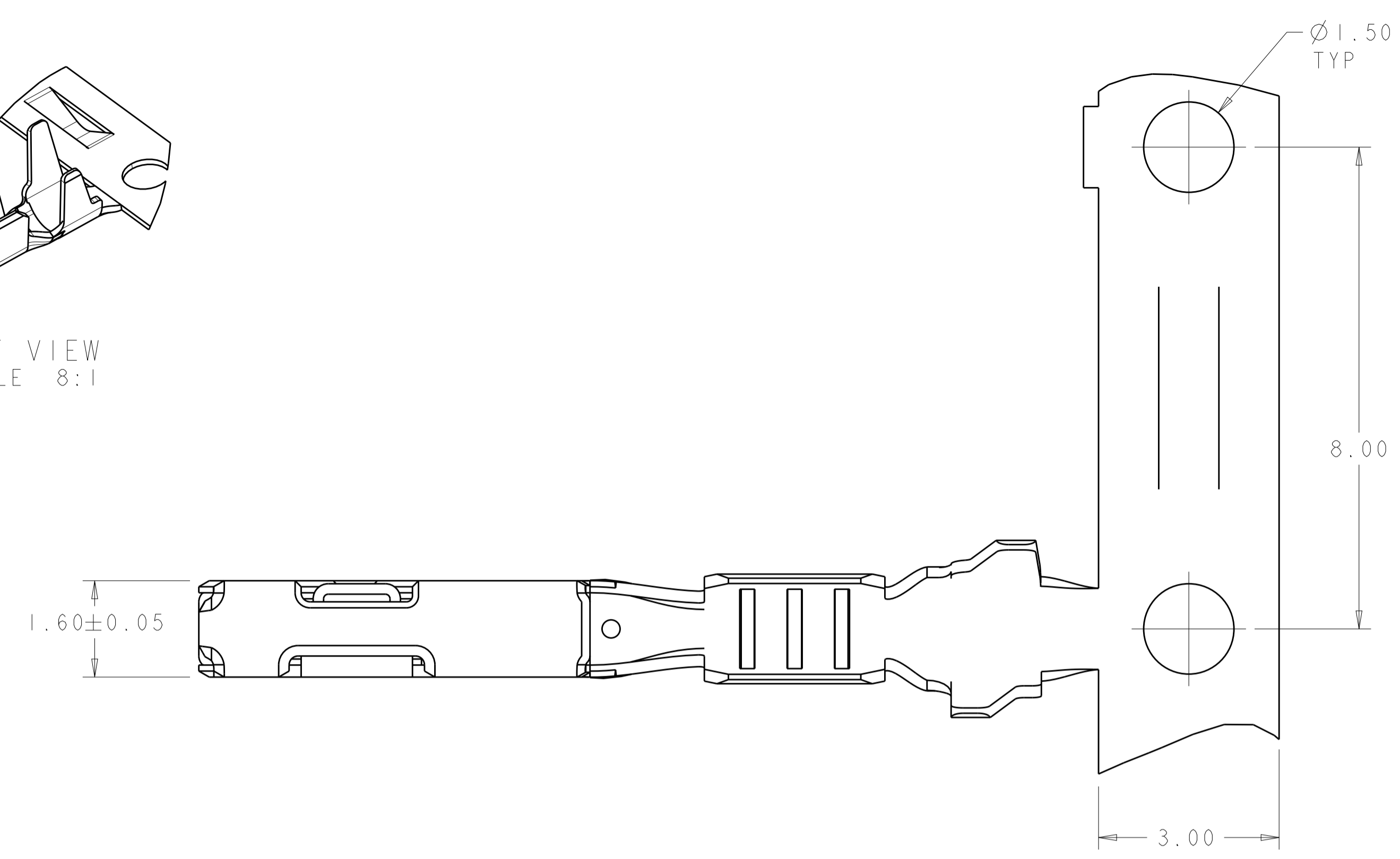


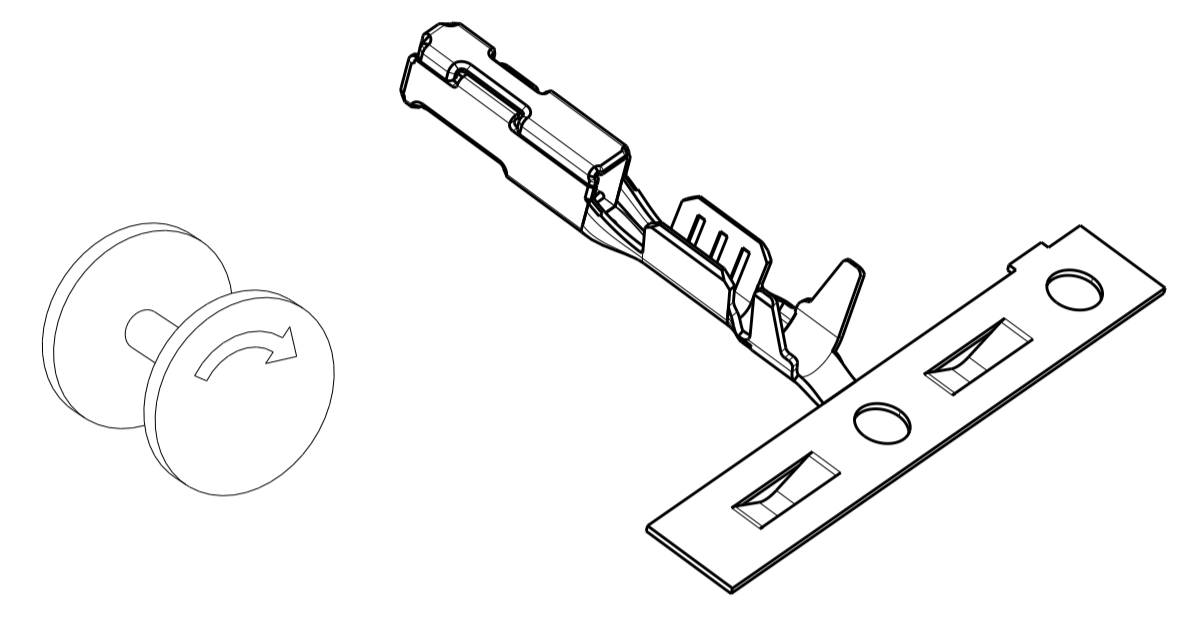
REVISIONS				
P.	LTM	DESCRIPTION	DATE	APVD
C		REVISED PER ECR-16-005516	25APR2016	DLD CJS



REF VIEW  
SCALE 8:1

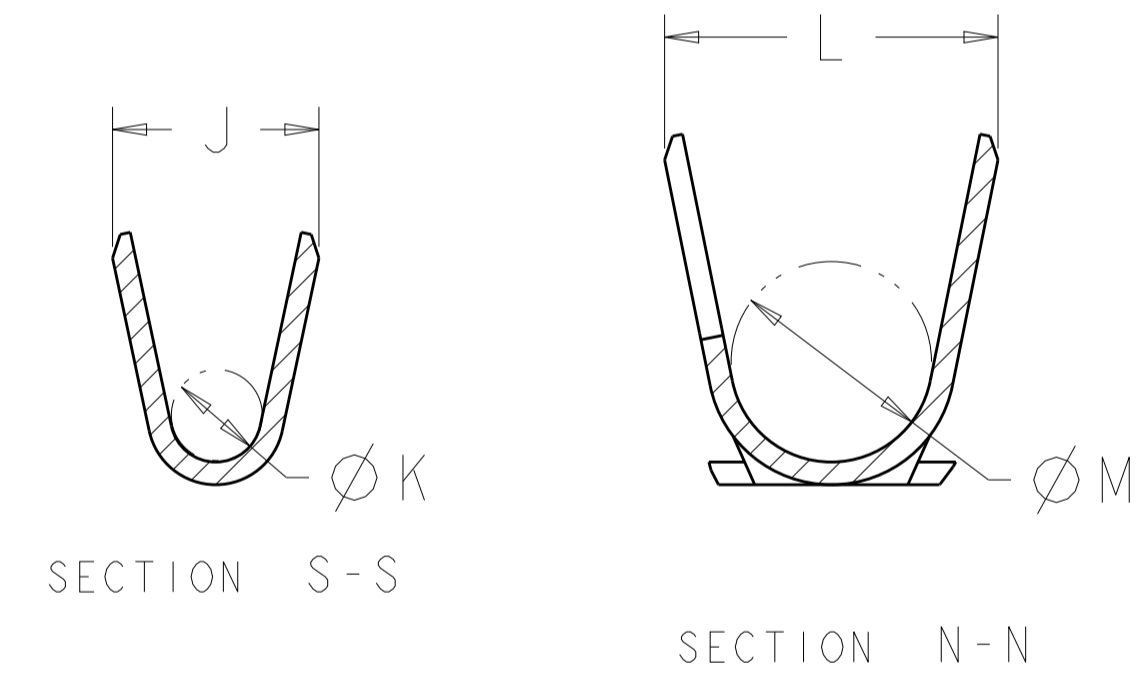
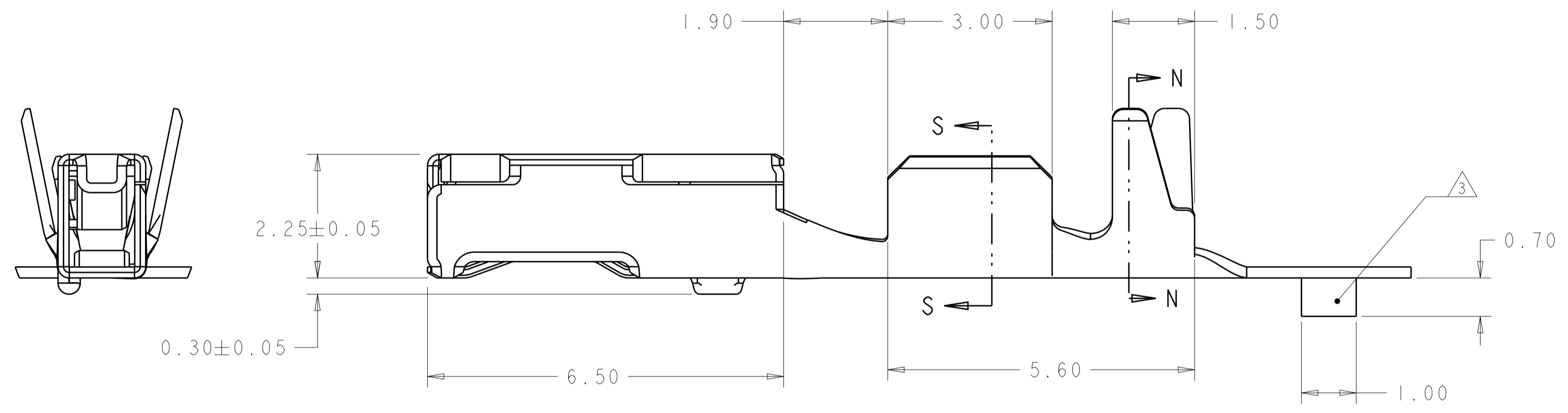


DETAIL A  
SCALE 5:1



DETAIL B  
REQUIRED REELING DIRECTION  
FOR TE APPLICATORS  
SCALE 5:1

- △ MATERIAL: COPPER ALLOY.
- △ FINISH: PRE-PLATED WITH 1.00µm MIN BRIGHT TIN.
- △ MATERIAL ID FEATURE IN "DOWN" POSITION.
- 4. THE INTENDED TEMPERATURE RANGE FOR THIS TERMINAL IS -40°C TO +100°C.
- 5. TERMINAL HAS NYE LUBRICANTS NYETACT 568J-50-UV PERFORMANCE LUBE/GREASE APPLIED. THIS IS A WHITISH COLORED LUBE. AMOUNT AND VISIBILITY MAY VARY.
- △ NOT FOR SEALED APPLICATIONS.
- △ SEALING CAPABILITY MUST BE VALIDATED ON AN APPLICATION BASIS.



0.13mm <sup>2</sup> = 0.85-1.05	DETAIL B	1.40	2.40	0.80	1.85	△ 2 △ 3	2X 0.13mm <sup>2</sup> △ 6	2035334-8
0.35mm <sup>2</sup> = 1.10-1.40							0.35mm <sup>2</sup> △ 7	
0.85-1.05	DETAIL B	0.85	1.82	0.65	1.50	△ 2 △ 3	26 [0.13mm <sup>2</sup> ]	2035334-7 △ 6
0.13mm <sup>2</sup> = 0.85-1.05	DETAIL A	1.40	2.40	0.80	1.85	△ 2 △ 3	2X 0.13mm <sup>2</sup> △ 6	2035334-6
0.35mm <sup>2</sup> = 1.10-1.40							0.35mm <sup>2</sup> △ 7	
0.85-1.05	DETAIL A	0.85	1.82	0.65	1.50	△ 2 △ 3	26 [0.13mm <sup>2</sup> ]	2035334-5 △ 6
2.06 MAX	DETAIL B	1.78	2.94	1.00	1.96	△ 2 △ 3	18 [0.75mm <sup>2</sup> ]	2035334-4
1.50-1.85	DETAIL B	1.78	2.94	0.80	1.82	△ 2 △ 3	20-22 [0.5-0.35mm <sup>2</sup> ]	2035334-3
2.06 MAX	DETAIL A	1.78	2.94	1.00	1.96	△ 2 △ 3	18 [0.75mm <sup>2</sup> ]	2035334-2
1.50-1.85	DETAIL A	1.78	2.94	0.80	1.82	△ 2 △ 3	20-22 [0.5-0.35mm <sup>2</sup> ]	2035334-1
INSULATION DIAMETER	REELING	M	L	K	J	FINISH	WIRE SIZE	PART NUMBER

THIS DRAWING IS A CONTROLLED DOCUMENT.

DWN: R. VESTAL 01JUL2008  
 CHK: C. SCHMID 01JUL2008  
 APVD: C. SCHMID 01JUL2008

DIMENSIONS: mm  
 TOLERANCES UNLESS OTHERWISE SPECIFIED:  
 0 PLC ±0.15  
 2 PLC ±0.15  
 3 PLC ±0.15  
 4 PLC ±0.15  
 ANGLES ±0.5°  
 FINISH: -

MATERIAL: △  
 CUSTOMER DRAWING

NAME: CONTACT, FEMALE, 0.64, GENERATION Y SEALED APPLICATIONS  
 PRODUCT SPEC: 108-2296  
 APPLICATION SPEC: 114-13183  
 WEIGHT: -  
 SCALE: 15:1

**STE** TE Connectivity  
 SIZE: A1 00779 ©=2035334  
 SHEET 1 OF 1 REV C

# Mouser Electronics

Authorized Distributor

Click to View Pricing, Inventory, Delivery & Lifecycle Information:

[TE Connectivity:](#)

[2035334-1](#)