

4

3

2

1

THIS DRAWING IS UNPUBLISHED. RELEASED FOR PUBLICATION
 © COPYRIGHT 2011 BY TYCO ELECTRONICS CORPORATION. ALL RIGHTS RESERVED.

LOC	DIST	REVISIONS			
P	LTR	DESCRIPTION	DATE	DWN	APVD
DW		REV PER ECO-14-017393	04AUG2014	L.L.	S.H.

D

C

B

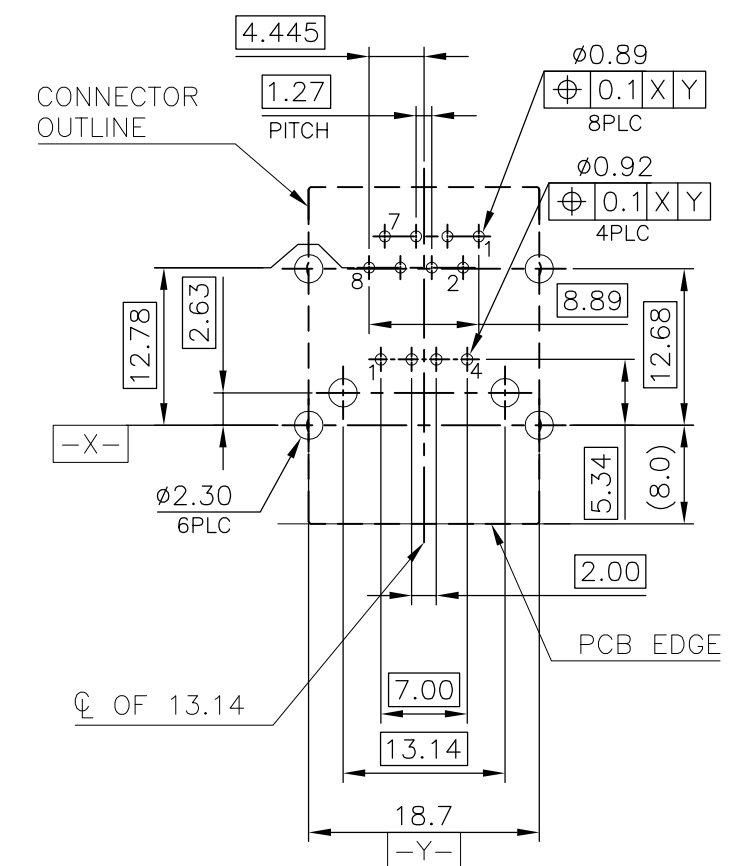
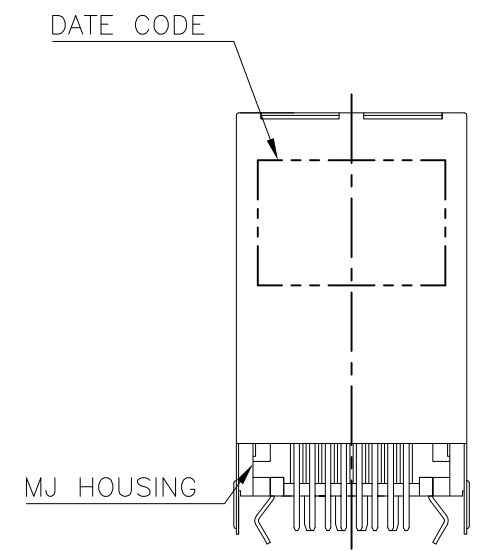
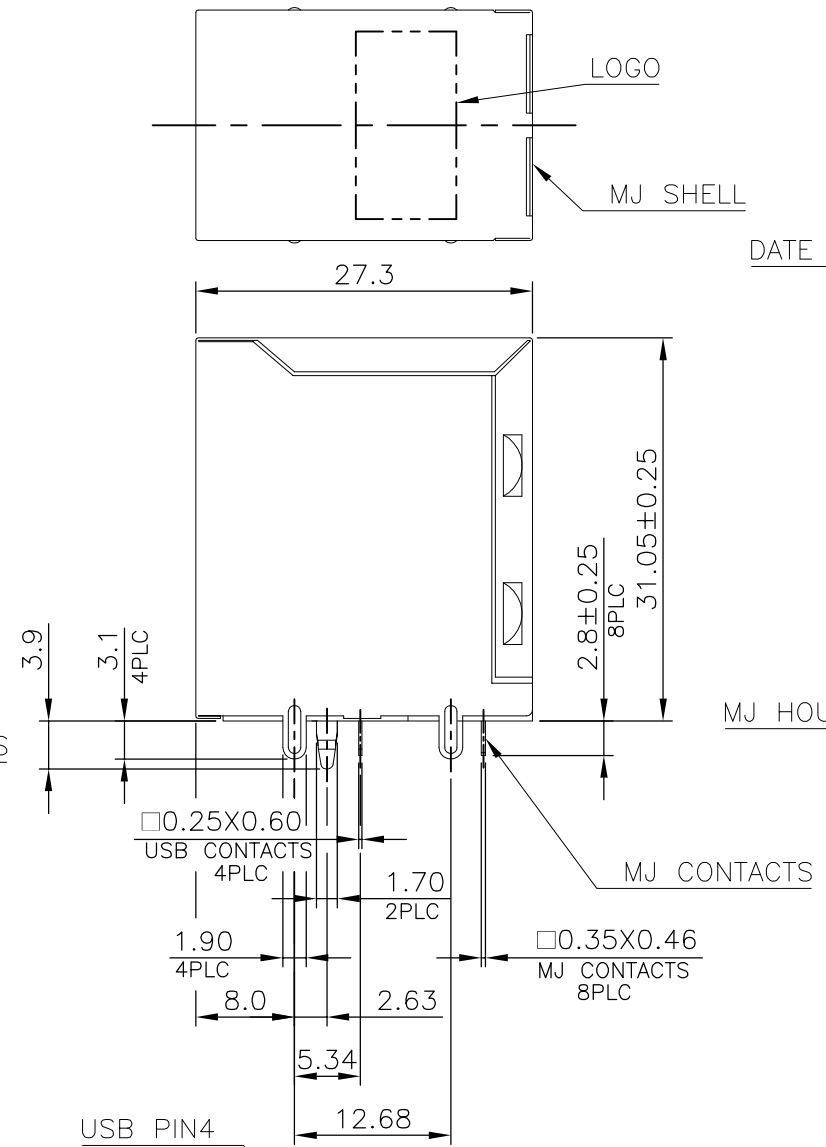
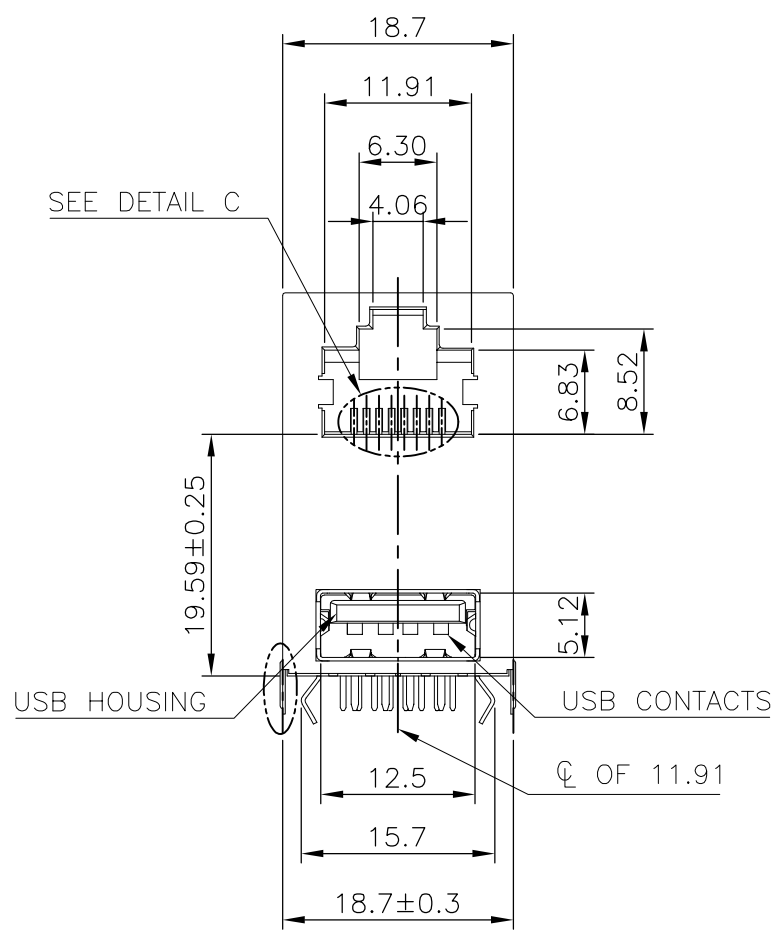
A

D

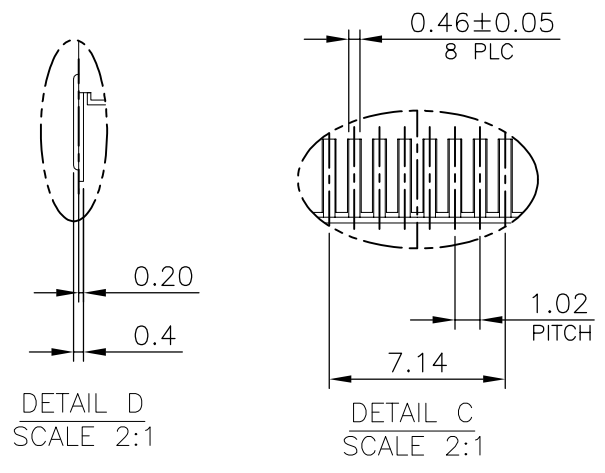
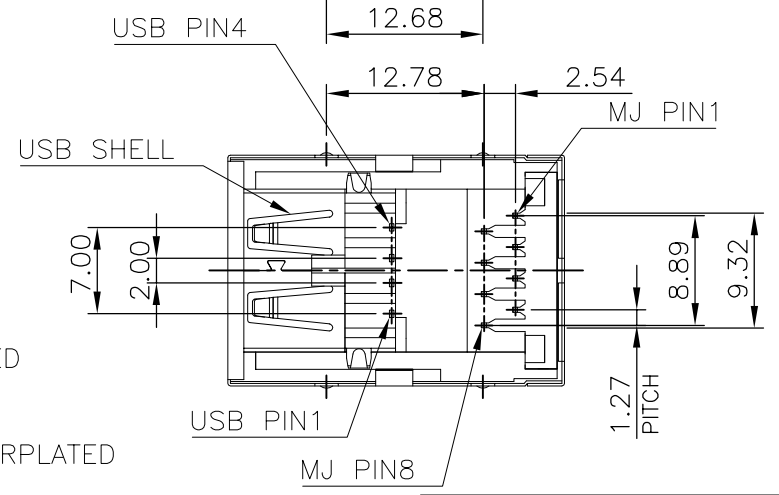
C

B

A



RECOMMENDED PCB LAYOUT
 RECOMMENDED PCB THICKNESS: 1.6mm.
 TOLERANCE: ±0.05 (TOP VIEW)



- NOTE:
- MATERIAL:
 - MJ HOUSING: PBT, WITH 30% GF, UL 94V-0, BLACK COLOR.
 - MJ CONTACTS: PHOSPHOR BRONZE.
 - MJ SHELL: BRASS.
 - USB HOUSING: PBT, WITH 30% GF, UL94V-0, BLACK COLOR.
 - USB CONTACTS: BRASS.
 - USB SHELL: SPCC.
 - FINISH:
 - MJ CONTACTS: 0.762um [30u"] MIN. GOLD PLATED ON CONTACT AREA, GOLD FLASH ON SOLDER TAIL, 1.27um [50u"] MIN. NICKEL UNDERPLATED OVERALL.
 - MJ SHELL: 0.508um [20u"] MIN. NICKEL PLATED.
 - USB CONTACTS: 0.762um [30u"] MIN. GOLD PLATED ON CONTACT AREA, 2.54um [100u"] MIN. BRIGHT TIN PLATED ON SOLDER TAIL, 1.27um [50u"] MIN. NICKEL UNDERPLATED OVERALL.
 - USB SHELL: 2.032um [80u"] MIN. NICKEL PLATED.
 - WAVE SOLDER CAPABLE TO 265°C PER TE SPE 109-202, CONDITION B.

THIS DRAWING IS A CONTROLLED DOCUMENT.		DWN B. HSING 08JUN2008	TE Connectivity
		CHK S. CHIEN 08JUN2008	
		APVD W. KODAMA 08JUN2008	NAME
DIMENSIONS: mm 		PRODUCT SPEC 108-57900	MODULAR JACK CONNECTOR OVER USB CONNECTOR STACKED, DIP TYPE
TOLERANCES UNLESS OTHERWISE SPECIFIED: 0 PLC ± - 1 PLC ± 0.3 2 PLC ± 0.2 3 PLC ± 0.15 4 PLC ± - ANGLES ± 3°		APPLICATION SPEC	RESTRICTED TO
MATERIAL SEE NOTE		WEIGHT 14.19 GRAMS	SIZE A3
		CUSTOMER DRAWING	CAGE CODE 00779
			DRAWING NO. 1909119
			SCALE - SHEET 1 OF 6 REV C

1909119-1
 PART NUMBER

4

3

2

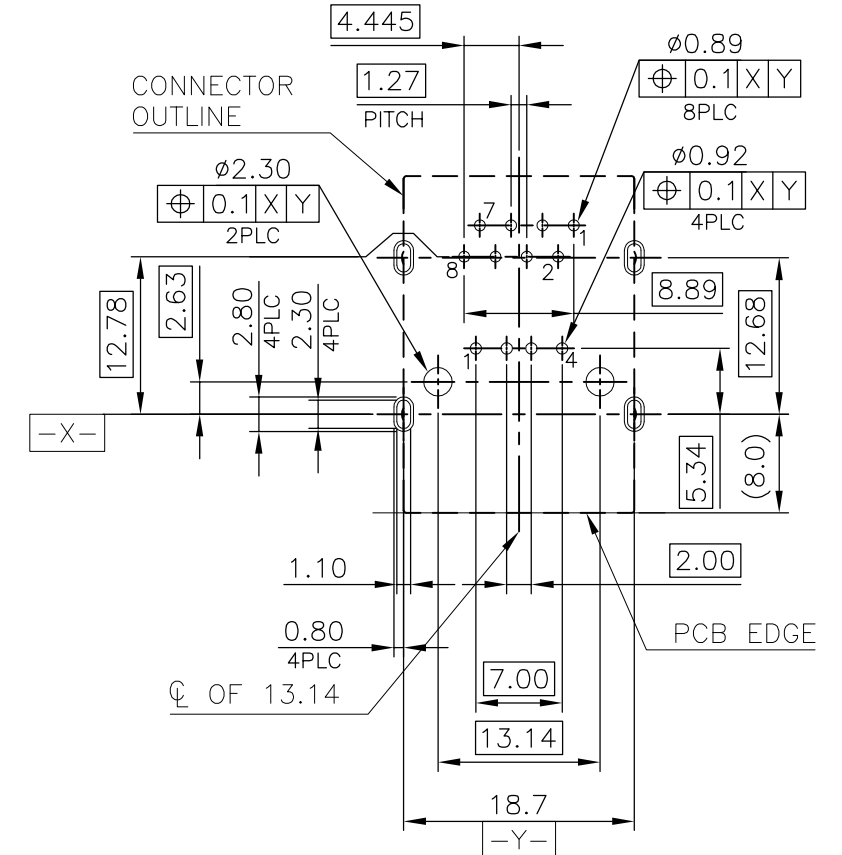
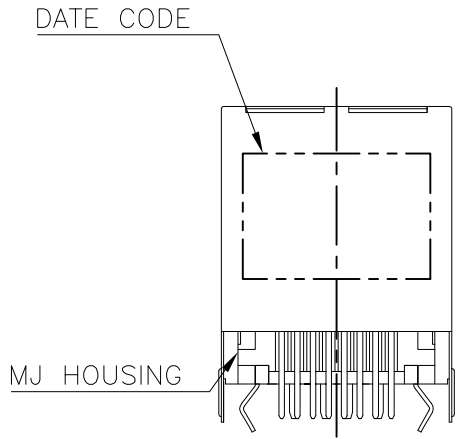
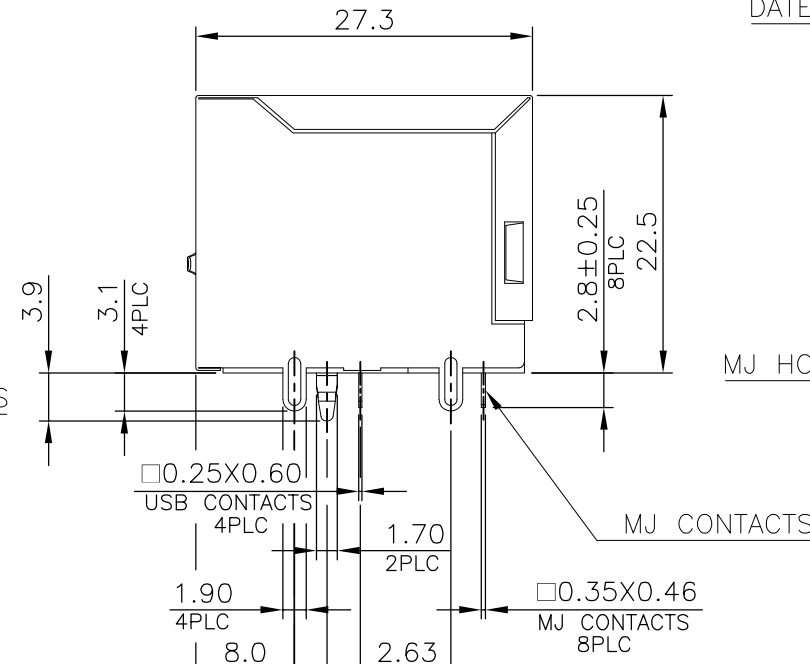
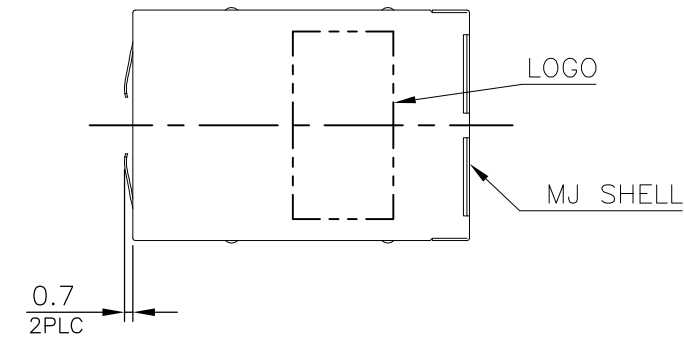
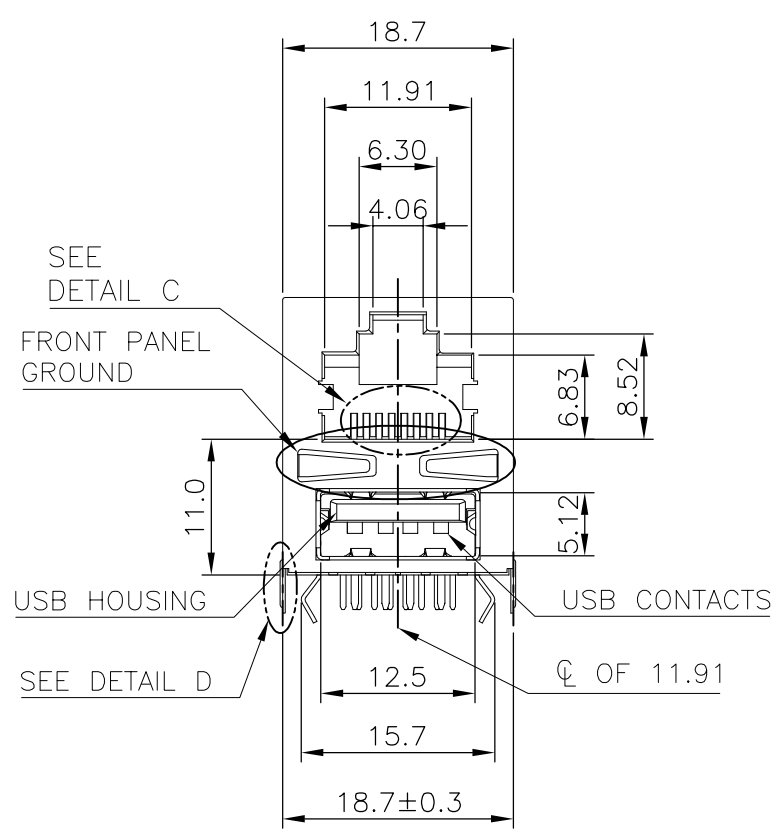
1

THIS DRAWING IS UNPUBLISHED. RELEASED FOR PUBLICATION
 © COPYRIGHT 2011 BY TYCO ELECTRONICS CORPORATION. ALL RIGHTS RESERVED.

LOC	DIST	REVISIONS			
P	LTR	DESCRIPTION	DATE	DWN	APVD
DW		SEE SHEET 1.			

D

D



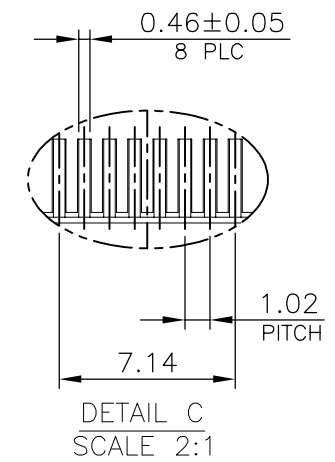
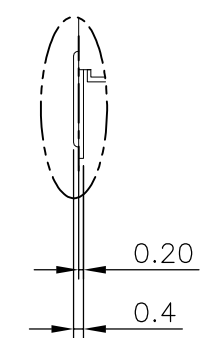
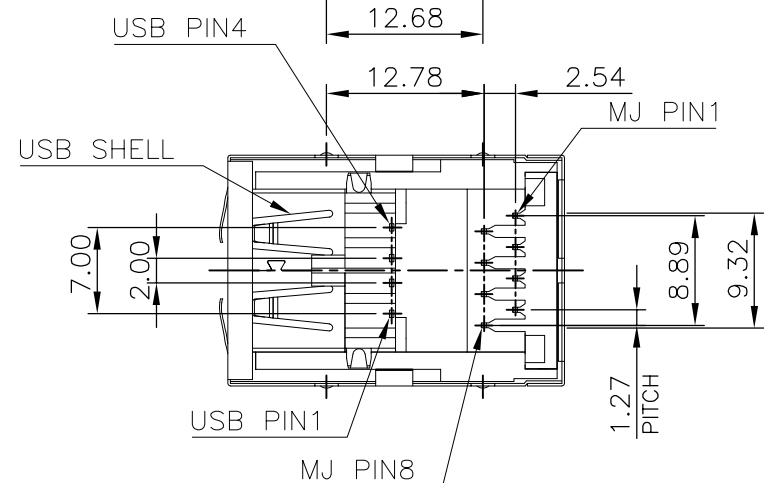
RECOMMENDED PCB LAYOUT
 RECOMMENDED PCB THICKNESS: 1.6mm.
 TOLERANCE: ±0.05 (TOP VIEW)

C

C

B

B



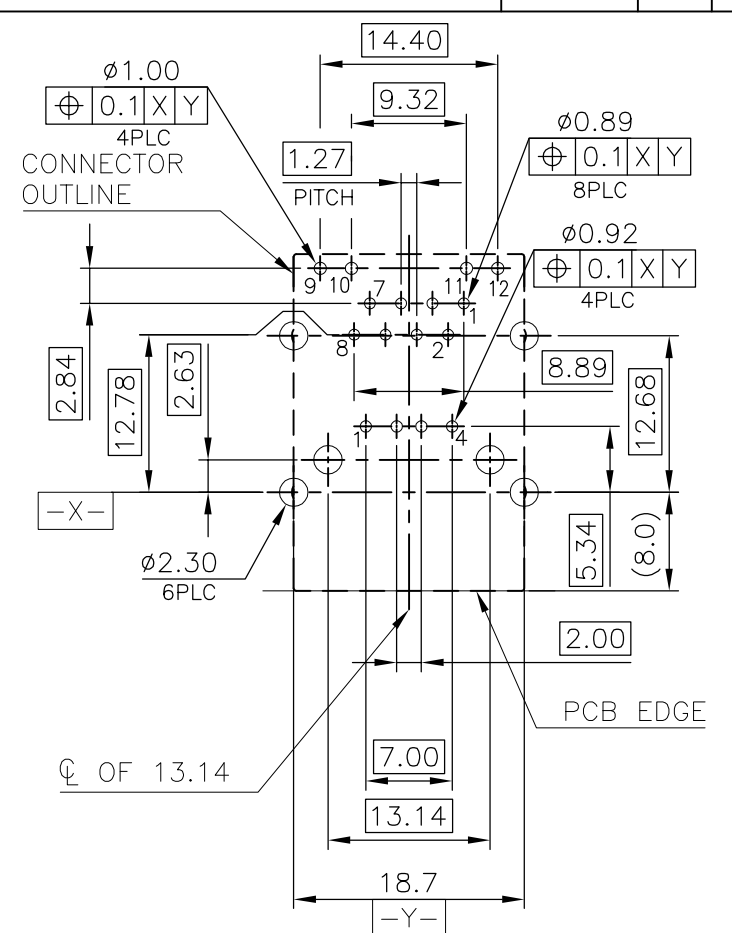
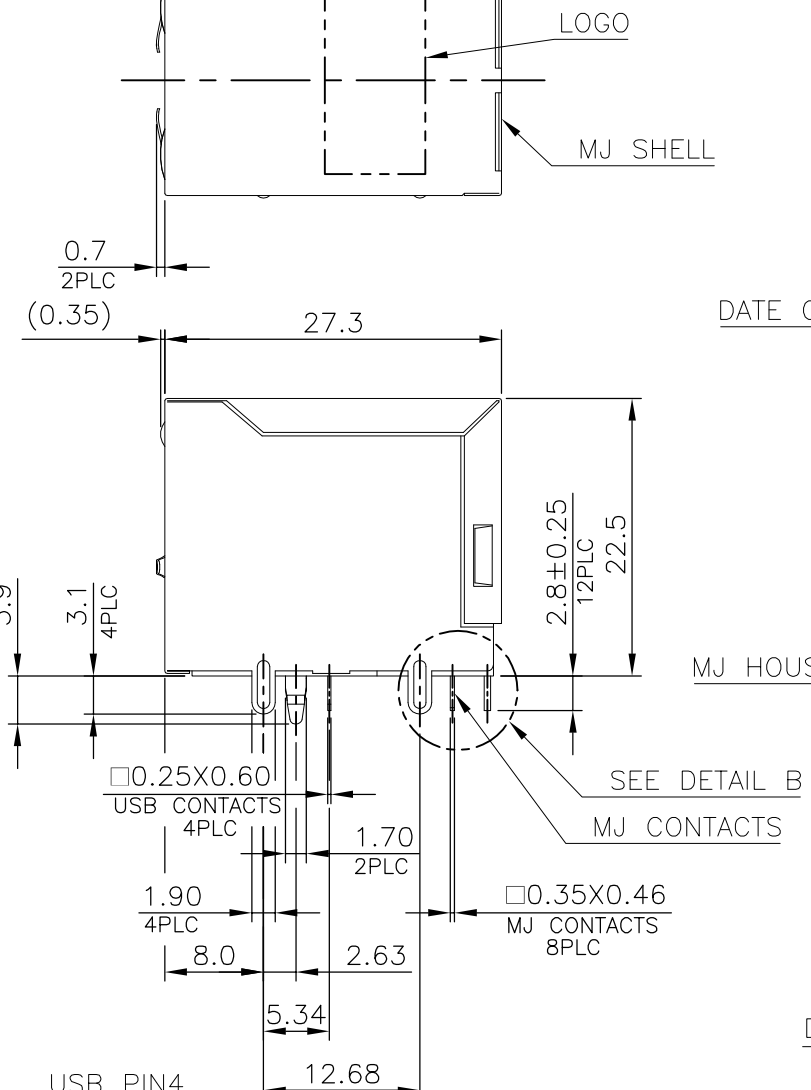
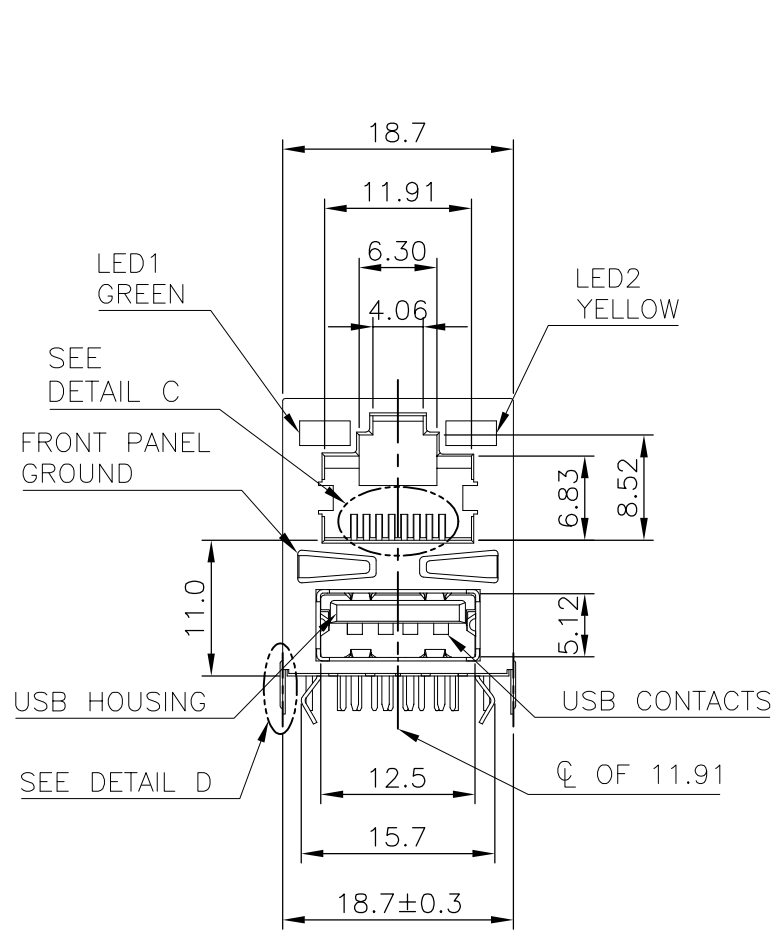
1909119-4
 PART NUMBER

A

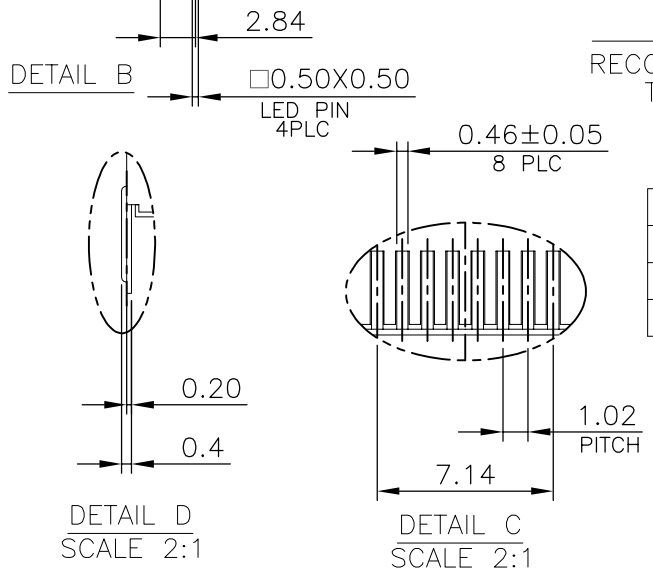
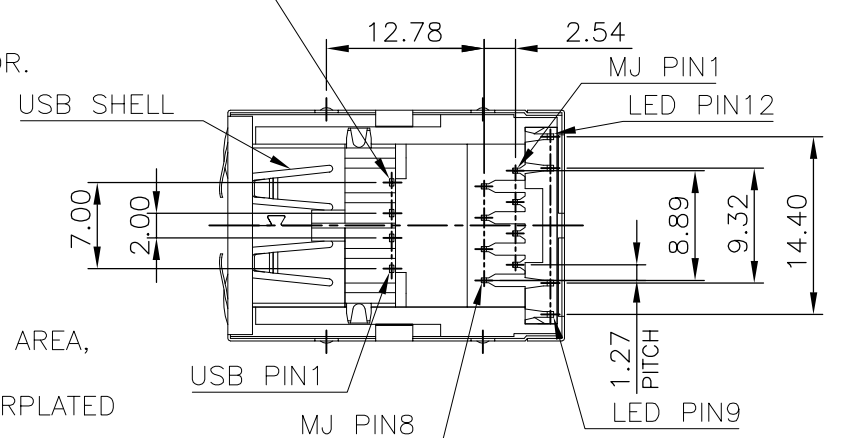
A

THIS DRAWING IS A CONTROLLED DOCUMENT.		DWN	TE Connectivity			
DIMENSIONS: mm		CHK				
TOLERANCES UNLESS OTHERWISE SPECIFIED:		APVD	NAME			
0 PLC ± - 1 PLC ± 0.3 2 PLC ± 0.2 3 PLC ± 0.15 4 PLC ± - ANGLES ± 3°		PRODUCT SPEC	MODULAR JACK CONNECTOR OVER USB CONNECTOR STACKED, DIP TYPE			
MATERIAL SEE NOTE		APPLICATION SPEC	SIZE	CAGE CODE	DRAWING NO	RESTRICTED TO
FINISH SEE NOTE		WEIGHT 12.09 GRAMS	A3	00779	C=1909119	
		CUSTOMER DRAWING	SCALE	SHEET 2 OF 6	REV C	

LOC	DIST	REVISIONS					
DW		P	LTR	DESCRIPTION	DATE	DWN	APVD
				SEE SHEET 1.			



- NOTE:
- MATERIAL:
 - MJ HOUSING & LED COVER: PBT, WITH 30% GF, UL 94V-0, BLACK COLOR.
 - MJ CONTACTS: PHOSPHOR BRONZE.
 - MJ SHELL: BRASS.
 - LED SOLDER TAIL: EPOXY, STEEL.
 - USB HOUSING: PBT, WITH 30% GF, UL94V-0, BLACK COLOR.
 - USB CONTACTS: BRASS.
 - USB SHELL: SPCC.
 - FINISH:
 - MJ CONTACTS: GOLD FLASH PLATED ON CONTACT AREA, GOLD FLASH ON SOLDER TAIL, 1.27µm [50u"] MIN. NICKEL UNDERPLATED OVERALL.
 - MJ SHELL: 0.508µm [20u"] MIN. NICKEL PLATED.
 - LED SOLDER TAIL: 1.02µm [40u"] COPPER UNDERPLATED OVERALL. 1.27µm [50u"] NICKEL OVERALL. 1.27µm [50u"] SILVER ON BONDING AREA. 2.54µm [100u"] BRIGHT-TIN ON SOLDER AREA.
 - USB CONTACTS: 0.762µm [30u"] MIN. GOLD PLATED ON CONTACT AREA, 2.54µm [100u"] MIN. BRIGHT TIN PLATED ON SOLDER TAIL, 1.27µm [50u"] MIN. NICKEL UNDERPLATED OVERALL.
 - USB SHELL: 2.032µm [80u"] MIN. NICKEL PLATED.
 - WAVE SOLDER CAPABLE TO 265°C PER TE SPE 109-202, CONDITION B.



RECOMMENDED PCB LAYOUT
 RECOMMENDED PCB THICKNESS: 1.6mm.
 TOLERANCE: ±0.05 (TOP VIEW)

LED ELECTRICAL CHARACTERISTIC				
NO.	NODE	COLOR		
LED1	9(+)	10(-)	GREEN	9- ∇ -10
LED2	11(+)	12(-)	YELLOW	11- ∇ -12

1-1909119-4
 PART NUMBER

THIS DRAWING IS A CONTROLLED DOCUMENT.

DIMENSIONS: mm	TOLERANCES UNLESS OTHERWISE SPECIFIED:	DWN	TE Connectivity NAME MODULAR JACK CONNECTOR OVER USB CONNECTOR STACKED, DIP TYPE
	0 PLC ± -	CHK	
	1 PLC ± 0.3	APVD	
	2 PLC ± 0.2	PRODUCT SPEC	
MATERIAL	FINISH	APPLICATION SPEC	SIZE A3 CAGE CODE 00779 DRAWING NO 1909119 RESTRICTED TO -
SEE NOTE	SEE NOTE	WEIGHT 13.06 GRAMS	CUSTOMER DRAWING SCALE SHEET 3 OF 6 REV C

4

3

2

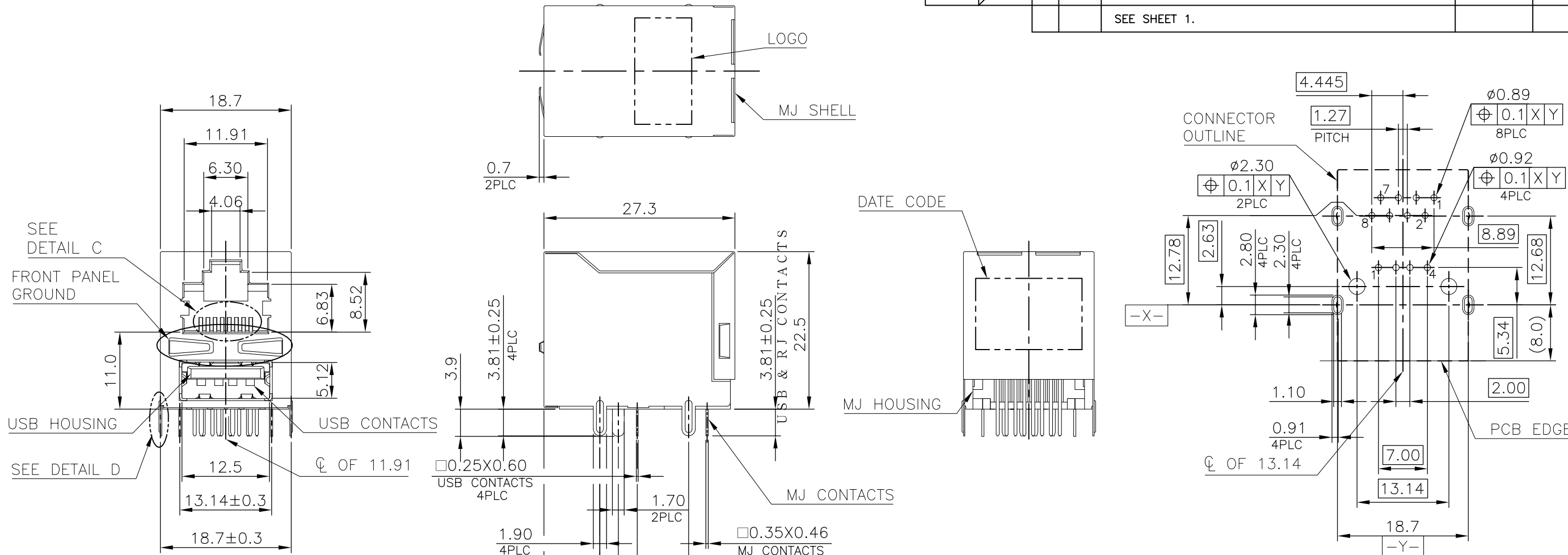
1

THIS DRAWING IS UNPUBLISHED.

RELEASED FOR PUBLICATION

© COPYRIGHT 2011 BY TYCO ELECTRONICS CORPORATION. ALL RIGHTS RESERVED.

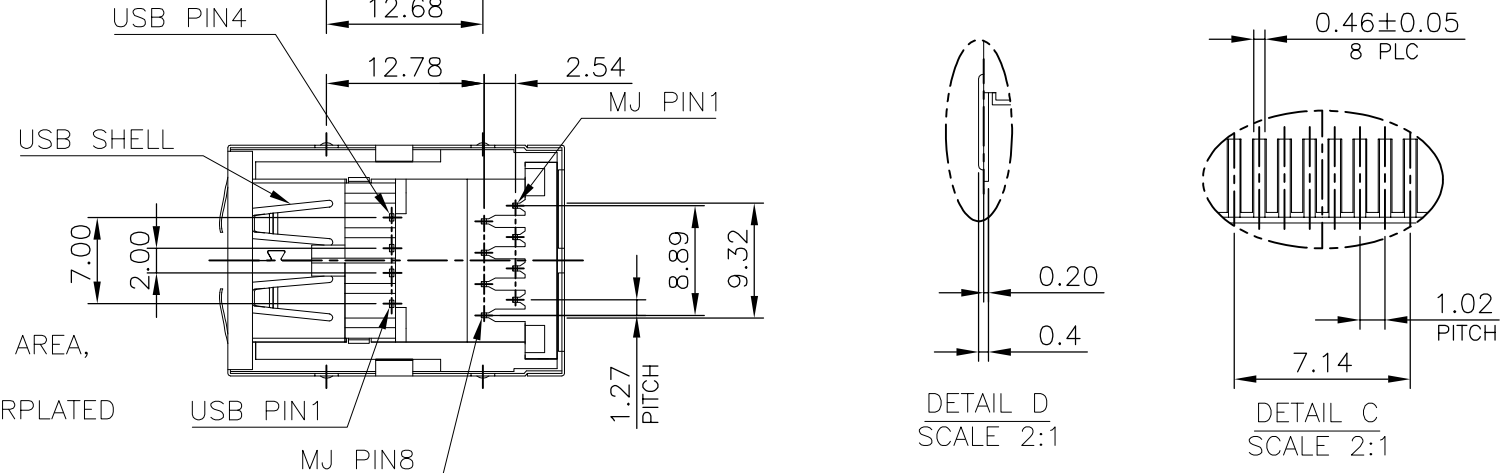
LOC	DIST	REVISIONS			
P	LTR	DESCRIPTION	DATE	DWN	APVD
DW		SEE SHEET 1.			



RECOMMENDED PCB LAYOUT
 RECOMMENDED PCB THICKNESS: 3.0mm.
 TOLERANCE: ±0.05 (TOP VIEW)

NOTE:

- MATERIAL:
 - MJ HOUSING: PA9T, WITH 30% GF, UL 94V-0, BLACK COLOR.
 - MJ CONTACTS: PHOSPHOR BRONZE.
 - MJ SHELL: BRASS.
 - USB HOUSING: PA9T, WITH 30% GF, UL94V-0, BLACK COLOR.
 - USB CONTACTS: BRASS.
 - USB SHELL: SPCC.
- FINISH:
 - MJ CONTACTS: GOLD FLASH PLATED ON CONTACT AREA, GOLD FLASH ON SOLDER TAIL, 1.27µm [50u"] MIN. NICKEL UNDERPLATED OVERALL.
 - MJ SHELL: 0.508µm [20u"] MIN. NICKEL PLATED.
 - USB CONTACTS: 0.762µm [30u"] MIN. GOLD PLATED ON CONTACT AREA, 2.54µm [100u"] MIN. BRIGHT TIN PLATED ON SOLDER TAIL, 1.27µm [50u"] MIN. NICKEL UNDERPLATED OVERALL.
 - USB SHELL: 2.032µm [80u"] MIN. NICKEL PLATED.
- REFLOW SOLDER CAPABLE TO 260°C PER TE SPEC 109-201, CONDITION A.



DETAIL D SCALE 2:1

DETAIL C SCALE 2:1

2-1909119-4
 PART NUMBER

THIS DRAWING IS A CONTROLLED DOCUMENT.

DIMENSIONS: mm	TOLERANCES UNLESS OTHERWISE SPECIFIED:
	0 PLC ± -
	1 PLC ± 0.3
	2 PLC ± 0.2
	3 PLC ± 0.15
	4 PLC ± -
	ANGLES ± 3'
MATERIAL SEE NOTE	FINISH SEE NOTE

DWN	CHK	APVD	PRODUCT SPEC	APPLICATION SPEC
WEIGHT 13.06 GRAMS		CUSTOMER DRAWING		

STE TE Connectivity			
NAME MODULAR JACK CONNECTOR OVER USB CONNECTOR STACKED, DIP TYPE			
SIZE	CAGE CODE	DRAWING NO	RESTRICTED TO
A3	00779	C-1909119	
SCALE		SHEET	REV
		4 OF 6	C

4

3

2

1

THIS DRAWING IS UNPUBLISHED. RELEASED FOR PUBLICATION
 © COPYRIGHT 2011 BY TYCO ELECTRONICS CORPORATION. ALL RIGHTS RESERVED.

LOC	DIST	REVISIONS				
P	LTR	DESCRIPTION	DATE	DWN	APVD	
DW		SEE SHEET 1.				

D

D

C

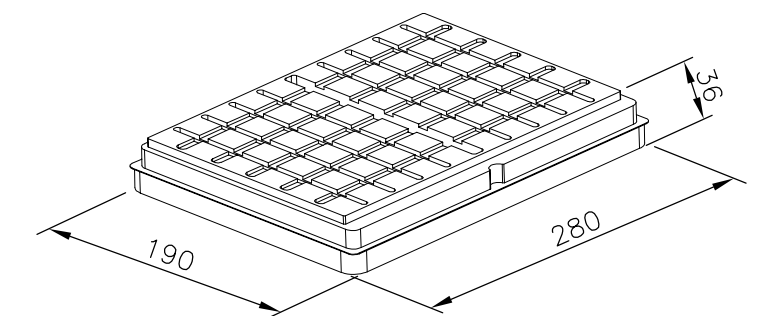
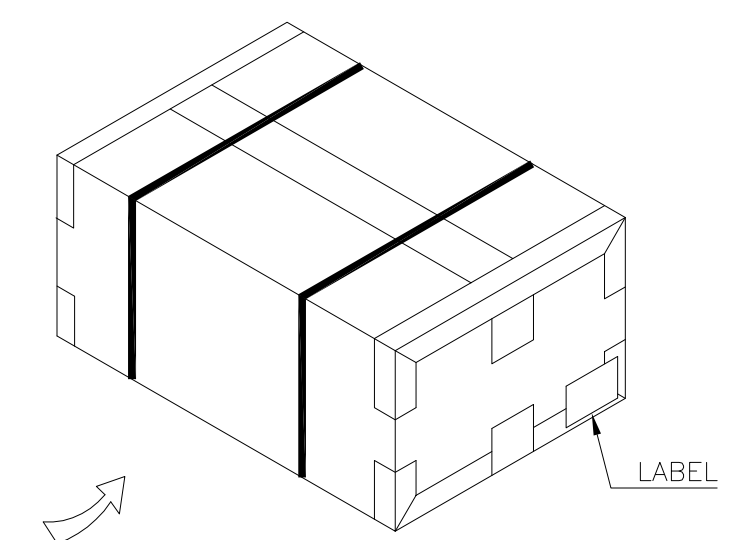
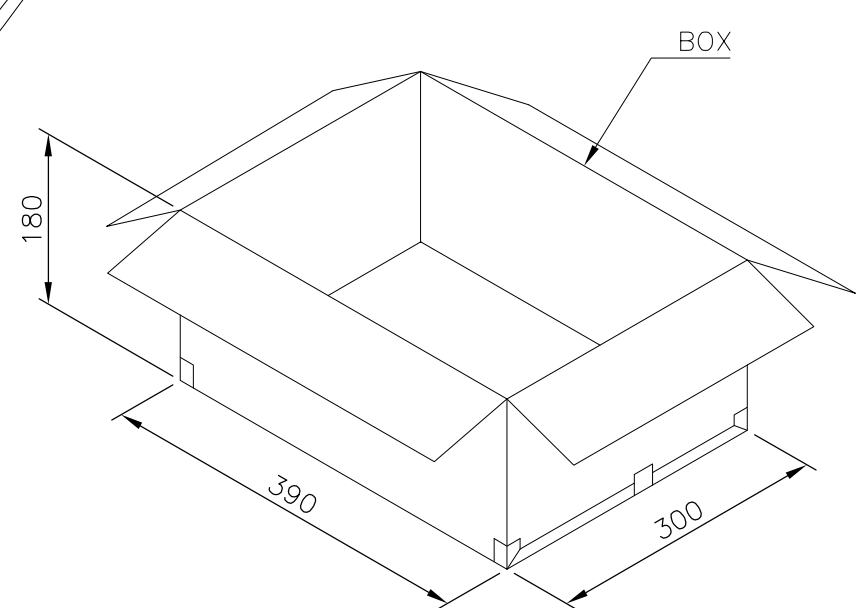
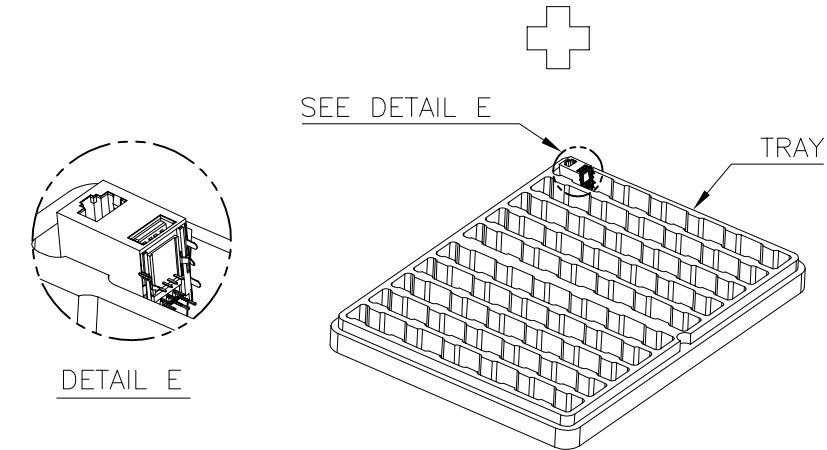
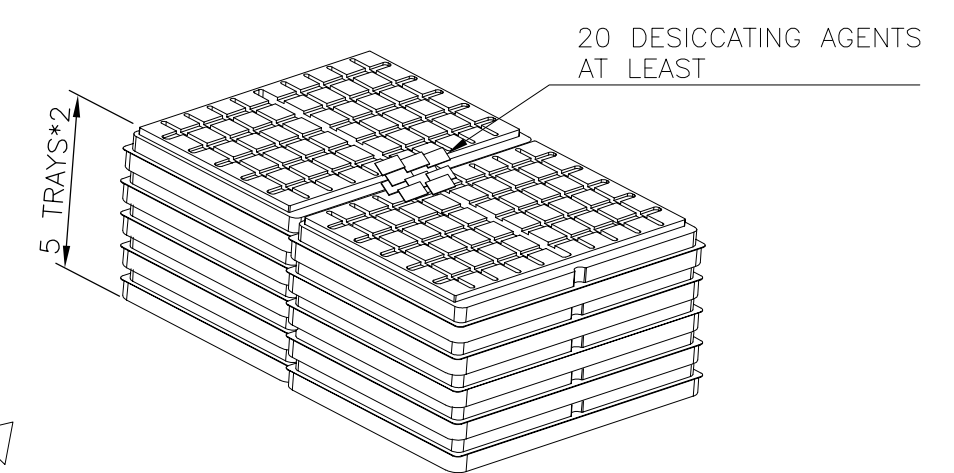
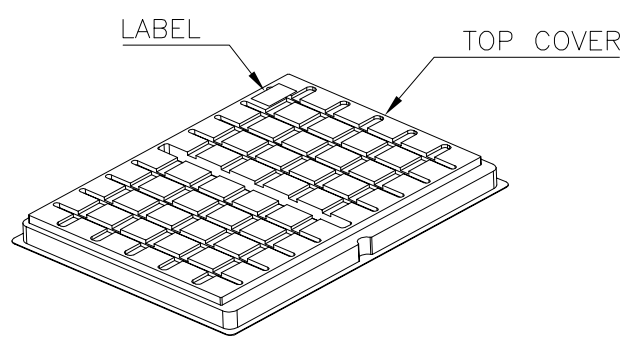
C

B

B

A

A



9.10KG	7.10KG	50	10	500	1909119-1
GROSS WEIGHT	NET WEIGHT	PCS/TRAY	TRAY/BOX	PCS/BOX	PART NUMBER

NOTE:
 1. MATERIAL:
 1.1 TRAY & TOP COVER: PET.
 1.2 BOX: CORRUGATED PAPER.
 2. EACH BAG SHALL BE INCLUDED:
 *DESICCANT

THIS DRAWING IS A CONTROLLED DOCUMENT.		DWN	TE Connectivity NAME MODULAR JACK CONNECTOR OVER USB CONNECTOR STACKED, DIP TYPE				
DIMENSIONS: mm		CHK					
TOLERANCES UNLESS OTHERWISE SPECIFIED:		APVD					
0 PLC ± - 1 PLC ± 0.3 2 PLC ± 0.2 3 PLC ± 0.15 4 PLC ± - ANGLES ± 3°		PRODUCT SPEC					
MATERIAL		FINISH	APPLICATION SPEC	SIZE	CAGE CODE	DRAWING NO	RESTRICTED TO
			WEIGHT	A3	00779	C=1909119	
CUSTOMER DRAWING			SCALE	SHEET	5 of 6	REV	C

4

3

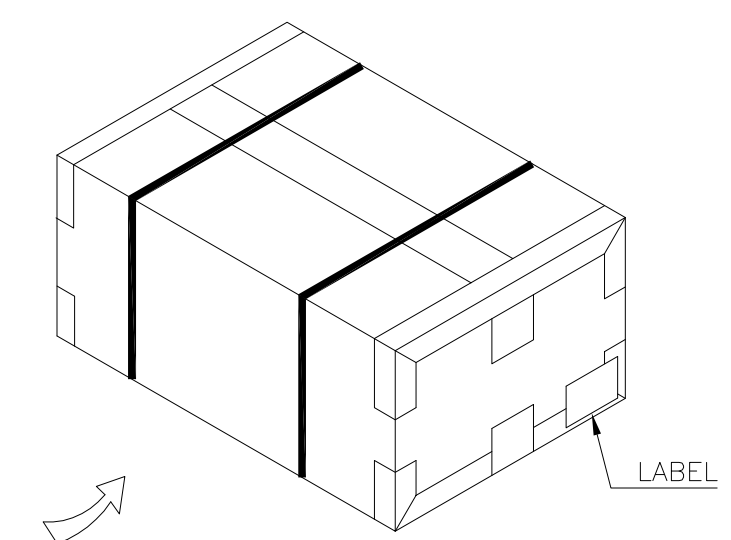
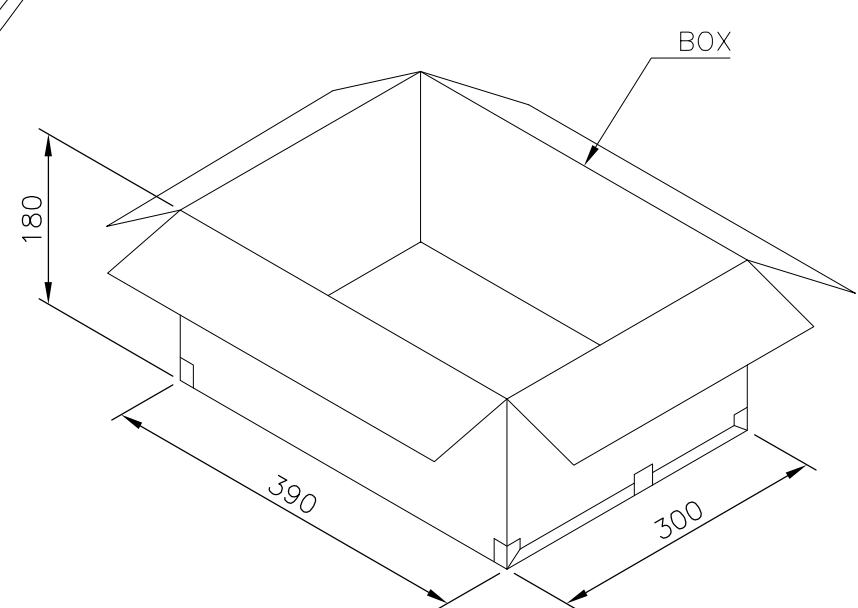
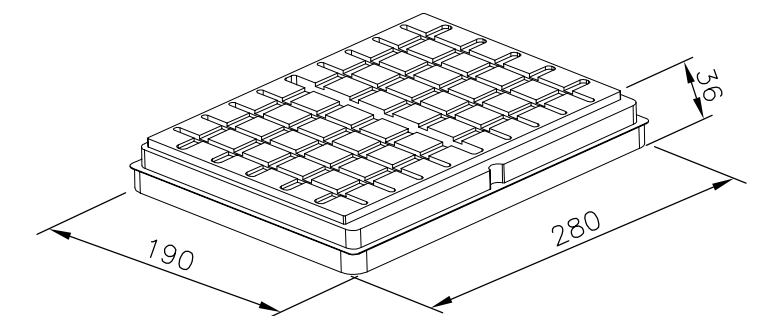
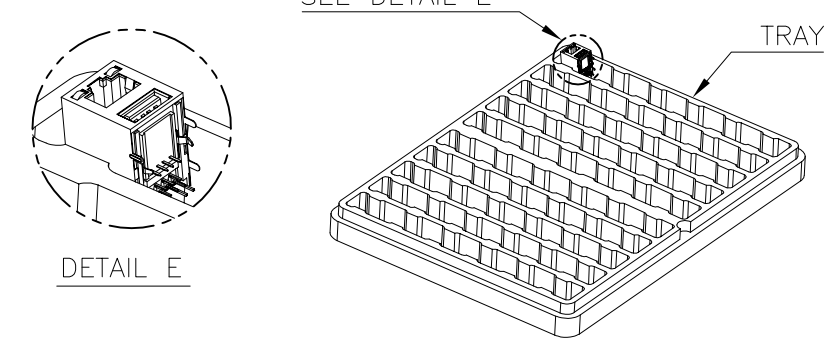
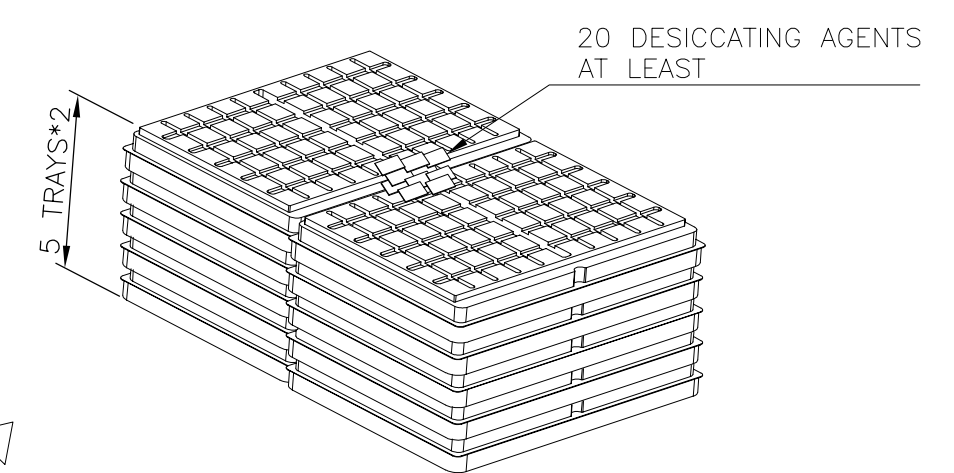
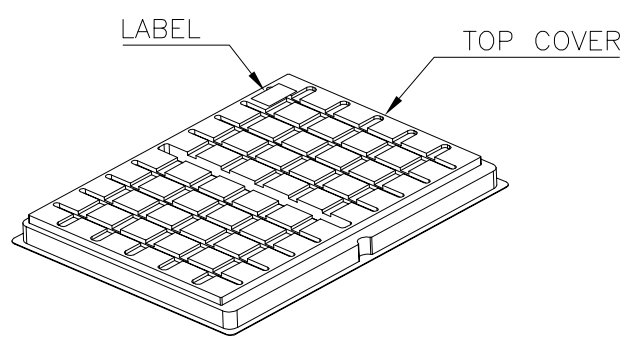
2

1

THIS DRAWING IS UNPUBLISHED. RELEASED FOR PUBLICATION

© COPYRIGHT 2011 BY TYCO ELECTRONICS CORPORATION. ALL RIGHTS RESERVED.

LOC DW	DIST	REVISIONS			
P	LTR	DESCRIPTION	DATE	DWN	APVD
		SEE SHEET 1.			



8.60 KG	6.55 KG	50	10	500	2-1909119-4
8.60 KG	6.55 KG	50	10	500	1-1909119-4
8.00 KG	6.05 KG	50	10	500	1909119-4
GROSS WEIGHT	NET WEIGHT	PCS/TRAY	TRAY/BOX	PCS/BOX	PART NUMBER

NOTE:

- MATERIAL:
 - 1.1 TRAY & TOP COVER: PET.
 - 1.2 BOX: CORRUGATED PAPER.
- EACH BAG SHALL BE INCLUDED:
 - *DESICCANT

THIS DRAWING IS A CONTROLLED DOCUMENT.		DWN	TE Connectivity					
DIMENSIONS: mm		CHK				NAME		
		APVD						
TOLERANCES UNLESS OTHERWISE SPECIFIED: 0 PLC ± - 1 PLC ± 0.3 2 PLC ± 0.2 3 PLC ± 0.15 4 PLC ± - ANGLES ± 3°		PRODUCT SPEC				SIZE	CAGE CODE	DRAWING NO
MATERIAL		APPLICATION SPEC	A3	00779	C-1909119			
FINISH		WEIGHT	CUSTOMER DRAWING			SCALE	SHEET 6 OF 6	REV C

Mouser Electronics

Authorized Distributor

Click to View Pricing, Inventory, Delivery & Lifecycle Information:

[TE Connectivity:](#)

[1909119-4](#)