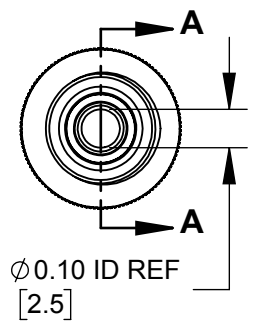
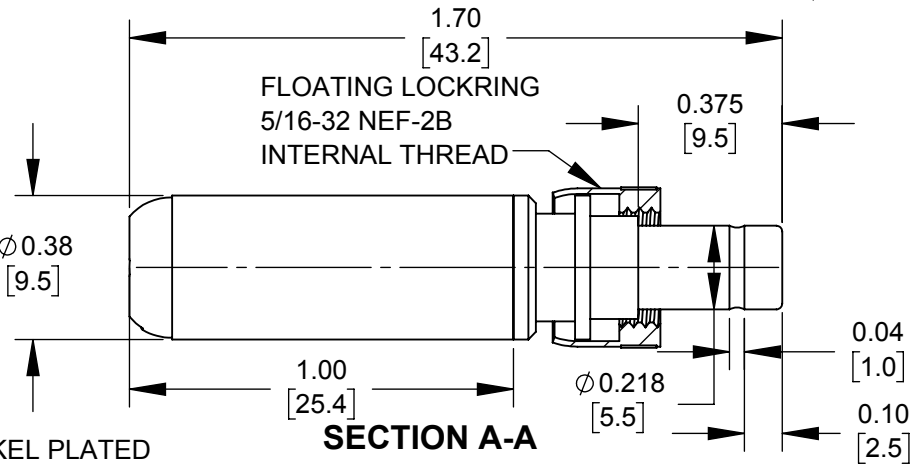
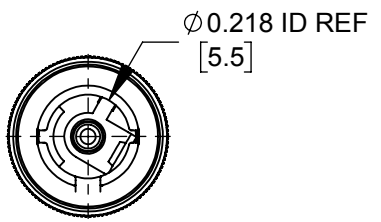
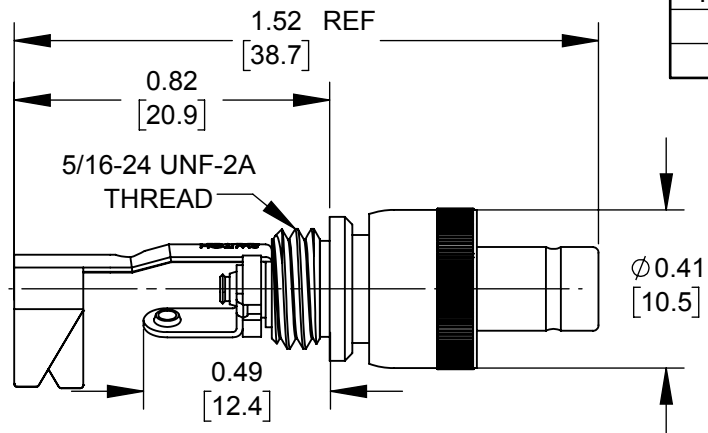


PART NUMBER	HANDLE COLOR
760KHZ	BLACK
765KHZ	RED



- NOTES:
- MATERIALS:
 CONDUCTORS & LOCKRING - BRASS, NICKEL PLATED
 TERMINALS - BRASS, TIN PLATED
 INSULATORS & HANDLE - THERMOPLASTIC

2. THIS PRODUCT IS RoHS COMPLIANT

CUSTOMER DRAWING

					UNLESS OTHERWISE SPECIFIED 1. ALL DIMENSIONS IN INCHES [mm] - TWO PLACE DECIMALS ±0.02 [0.5] - THREE PLACE DECIMALS ±0.005 [0.13]
REV	ECO NUMBER	DATE	BY	APVD	
REVISIONS					

THIS DRAWING DESCRIBES A DESIGN CONSIDERED PROPRIETARY IN NATURE, DEVELOPED AND MANUFACTURED BY SWITCHCRAFT INC. AND IS RELEASED ON A CONFIDENTIAL BASIS FOR IDENTIFICATION PURPOSES ONLY.									
SIZE	*	WIDTH	*	MULT	*	LBS/M	*	TEMPER	*
FINISH	*					MATERIAL	*		
SPEC No.	*					SPEC No.	*		
FIRST USED ON					SCALE				
*					2:1				
DATE DRAWN	BY	CHKD	APVD						
11/06/19	AM	*	*						
NAME						PART No.		REV	
Ø 0.10 [2.5]mm X 0.375 LONG IMPRV D HT PWR PLG W/LOCKRING, RoHS						760KHZ-765KHZ		0A	

Mouser Electronics

Authorized Distributor

Click to View Pricing, Inventory, Delivery & Lifecycle Information:

[Switchcraft:](#)

[760KHZ](#)