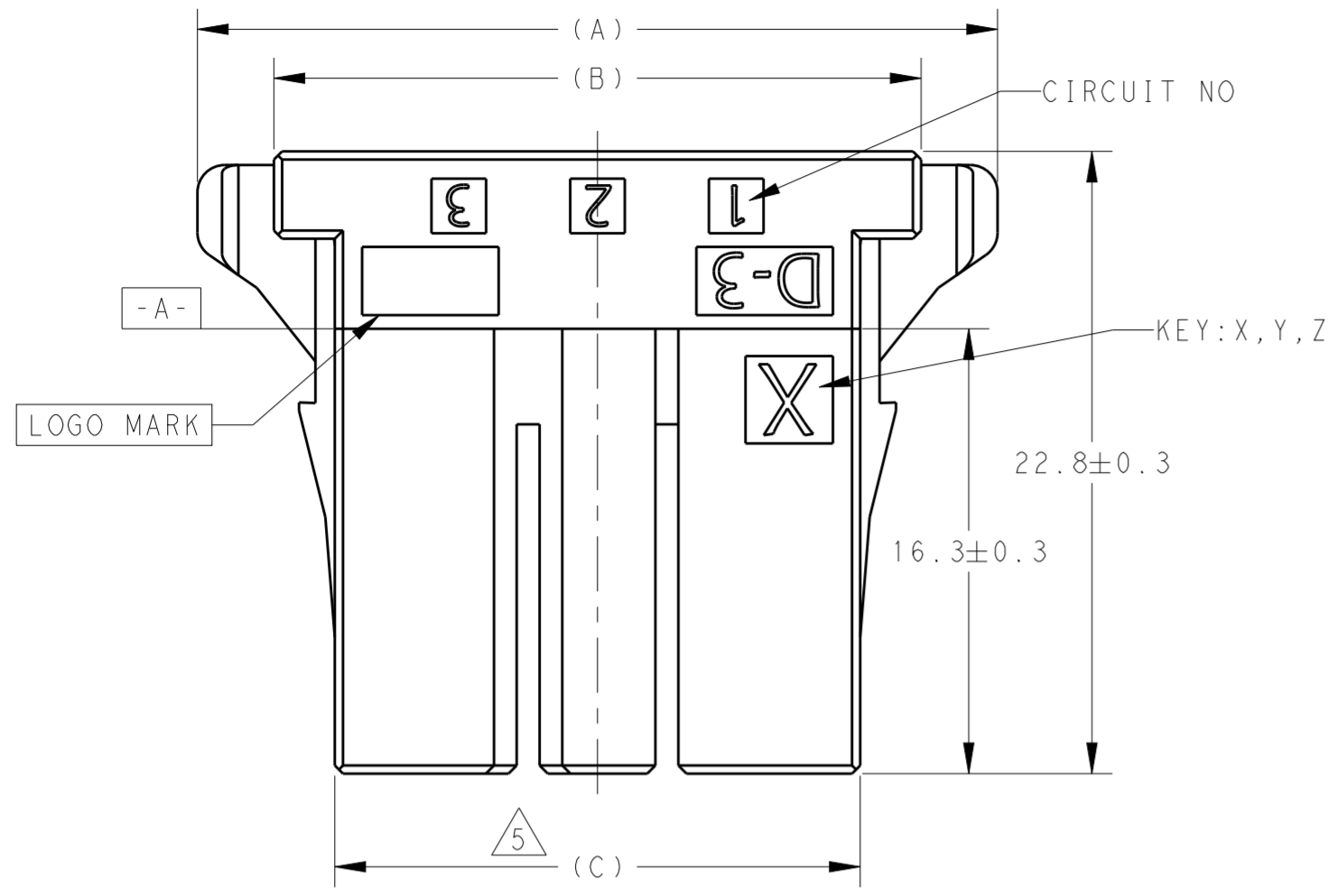


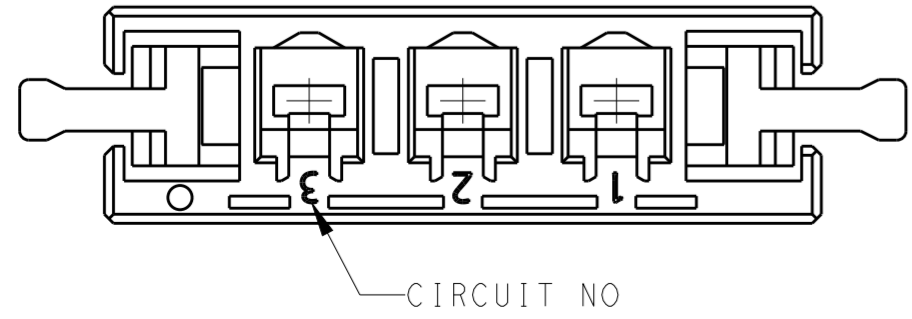
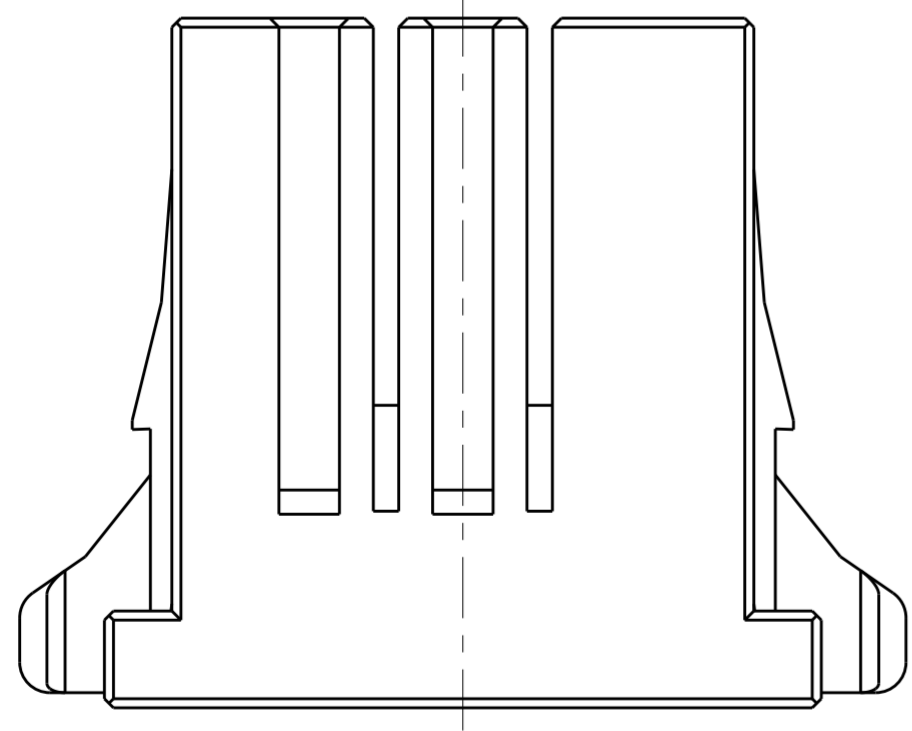
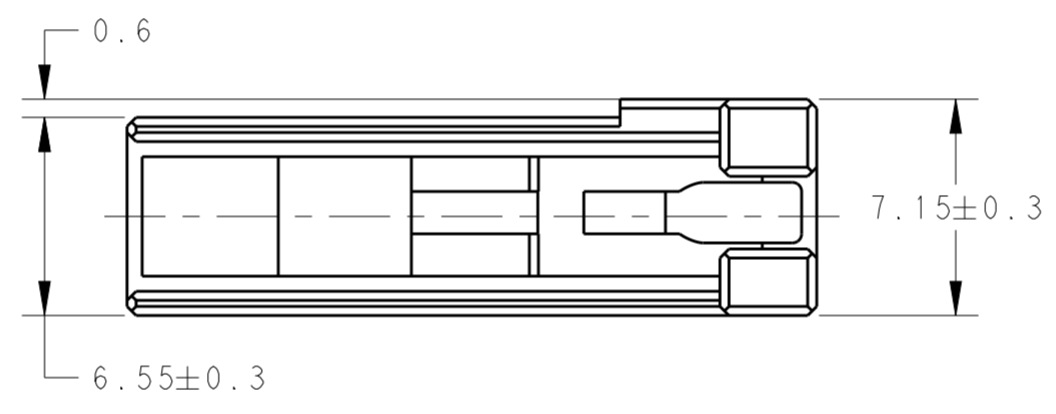
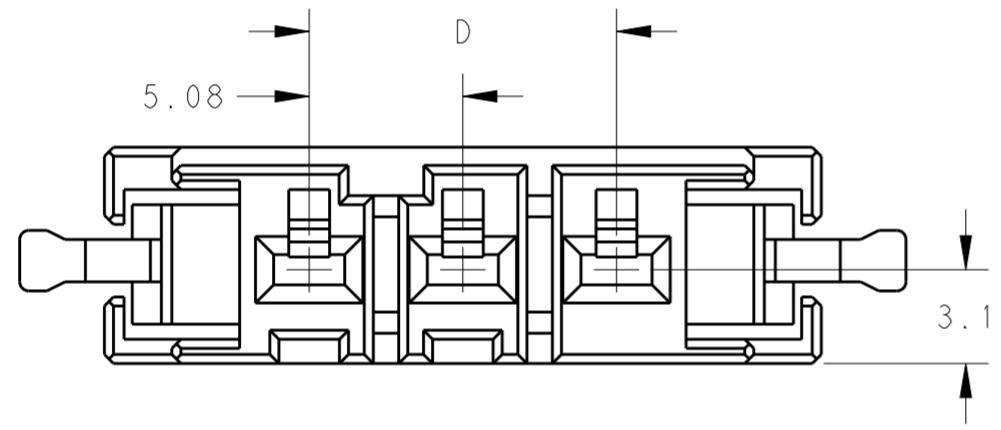
THIS DRAWING IS UNPUBLISHED. RELEASED FOR PUBLICATION 2018  
 © COPYRIGHT 2018 BY TYCO ELECTRONICS JAPAN G.K. ALL RIGHTS RESERVED.

| REVISIONS |     |                           |           |         |
|-----------|-----|---------------------------|-----------|---------|
| P         | LTR | DESCRIPTION               | DATE      | APVD    |
| K         |     | REVISED PER ECR-16-006694 | 19MAY2016 | K.K E.T |
| L         |     | REVISED PER ECR-18-000718 | 19JAN2018 | M.J E.I |

1-178128-3: AS SHOWN.  
 REFER TO SHEET 1 FOR 2,3,4 POS.



- 1 MATERIAL: GLASS FILLED THERMO PLASTIC, POLYESTER. COLOR: BLACK.
- 2 NOTE DELETED.
- 3 PRODUCT SPEC: 108-5349.
- 4 THE SHAPE, SIZE AND POSITION OF THE CHARACTER SHOW THE OUTLINE THEY DON'T SHOW DETAILS
- 5 THIS DIMENSION MUST BE MEASURED AT -A- OF HSG.



|                 |        |       |       |       |       |            |
|-----------------|--------|-------|-------|-------|-------|------------|
|                 | Y      | 15.24 | 24.32 | 29.18 | 34.78 | 2-178128-4 |
|                 | X      | 15.24 | 24.32 | 29.18 | 34.78 | 1-178128-4 |
|                 | Z      | 10.16 | 19.24 | 24.10 | 29.7  | 3-178128-3 |
|                 | Y      | 10.16 | 19.24 | 24.10 | 29.7  | 2-178128-3 |
|                 | X      | 10.16 | 19.24 | 24.10 | 29.7  | 1-178128-3 |
|                 | Y      | 5.08  | 14.16 | 19.02 | 24.62 | 2-178128-2 |
|                 | X      | 5.08  | 14.16 | 19.02 | 24.62 | 1-178128-2 |
| KEYING LOCATION | KEYING | D     | C     | B     | A     | PART NO    |

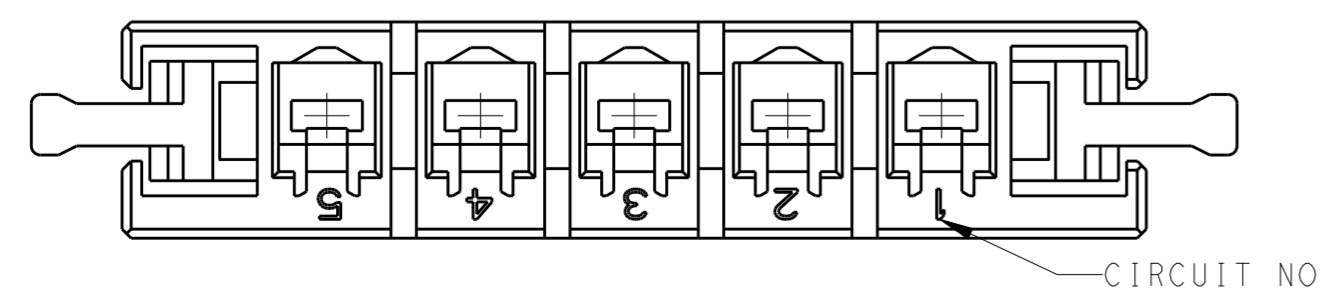
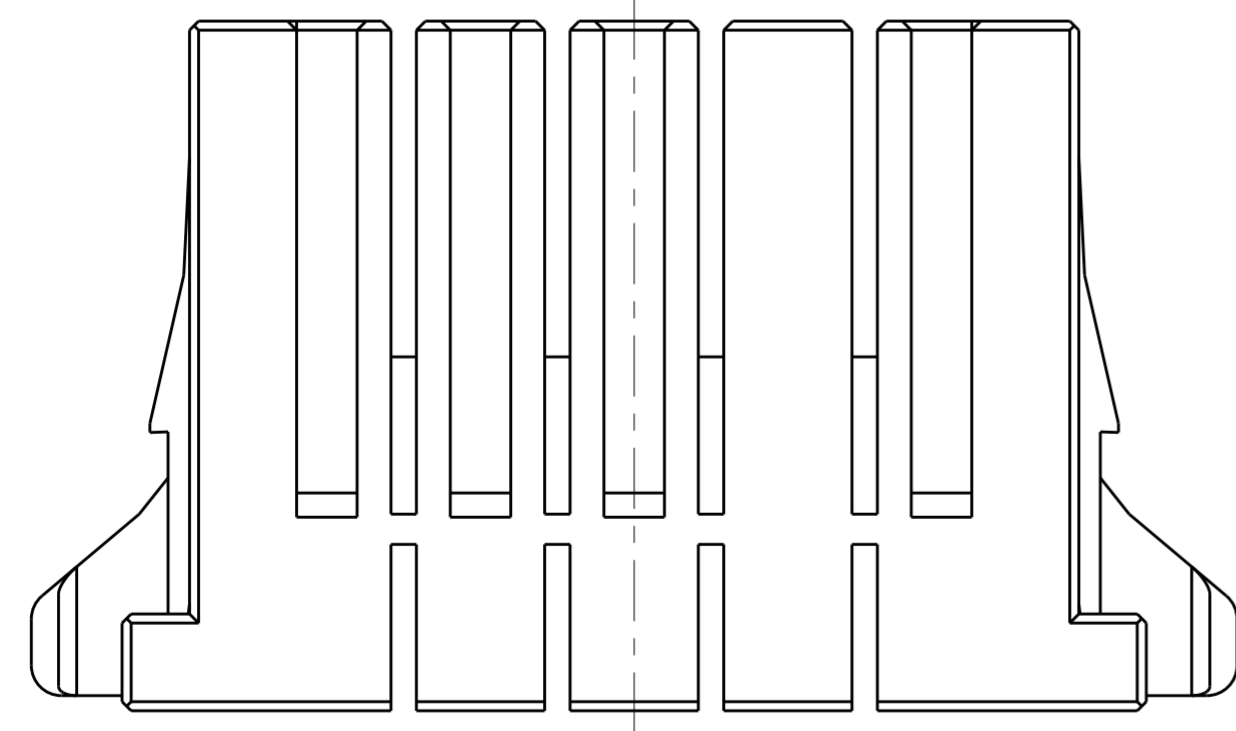
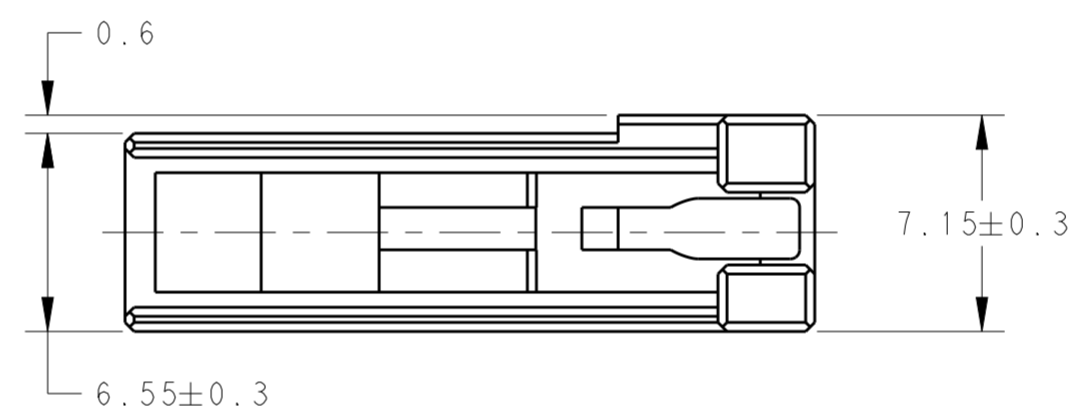
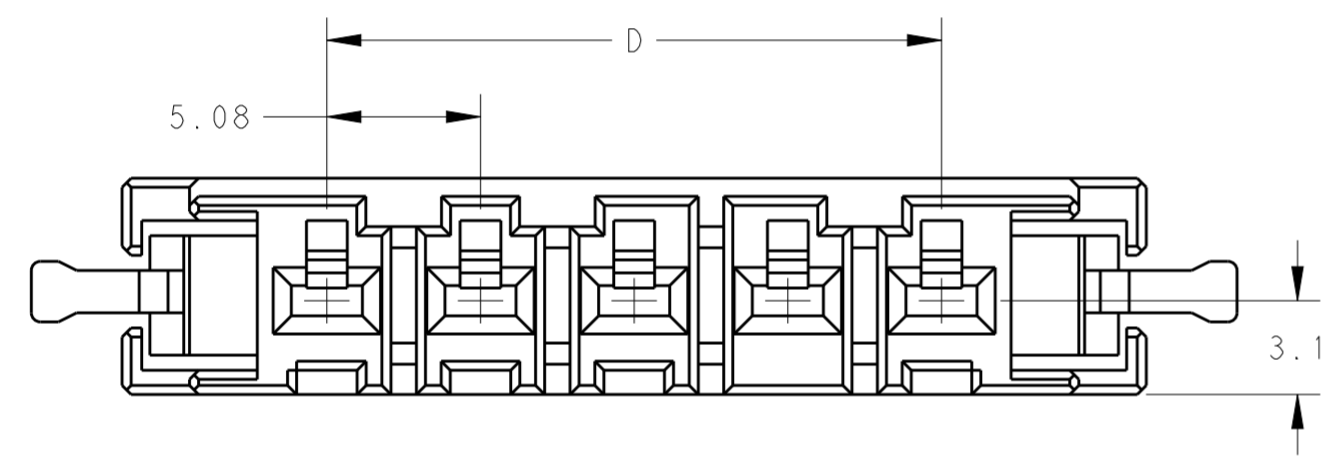
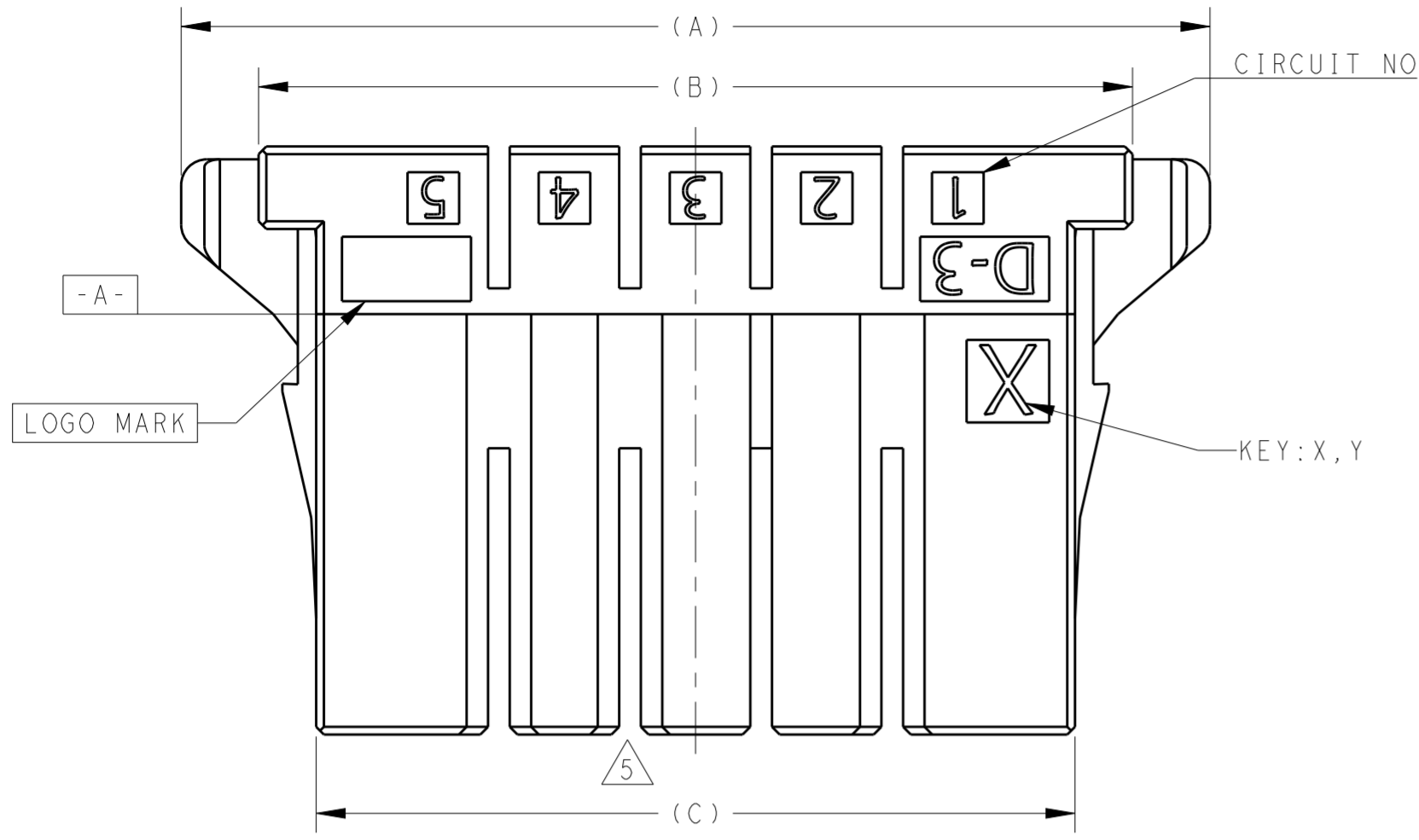
THIS DRAWING IS A CONTROLLED DOCUMENT.

|                |   |  |   |
|----------------|---|--|---|
| DIMENSIONS: mm | TOLERANCES UNLESS OTHERWISE SPECIFIED:<br>0 PLC ±0.2<br>1 PLC ±0.25<br>2 PLC ±0.3<br>3 PLC ±0.3<br>4 PLC ±0.3<br>ANGLES ±3°<br>FINISH | DWN N. MATSUBARA 01DEC93<br>CHK S. MANABE 13DEC95<br>APVD S. MANABE 13DEC95<br>PRODUCT SPEC 108-5349<br>APPLICATION SPEC -<br>WEIGHT -<br>CUSTOMER DRAWING | TE Connectivity<br>NAME DYNAMIC D-3200, 5.08 PITCH RECEPTACLE HOUSING(KEY: X,Y)<br>SIZE A2 CAGE CODE 00779 DRAWING NO C-178128<br>RESTRICTED TO -<br>SCALE 4:1 SHEET 1 OF 2 REV L |
|----------------|---|--|---|

THIS DRAWING IS UNPUBLISHED. RELEASED FOR PUBLICATION 2018  
 © COPYRIGHT 2018 BY TYCO ELECTRONICS JAPAN G.K. ALL RIGHTS RESERVED.

| REVISIONS |     |             |      |      |
|-----------|-----|-------------|------|------|
| P         | LTR | DESCRIPTION | DATE | APVD |
| -         | -   | SEE SHEET 1 | -    | -    |
|           |     |             |      |      |
|           |     |             |      |      |

1-178128-5: AS SHOWN.  
 REFER TO SHEET 2 FOR 5,6 POS.



|                 |        |       |       |       |       |            |
|-----------------|--------|-------|-------|-------|-------|------------|
|                 | Y      | 25.4  | 34.48 | 39.34 | 44.94 | 2-178128-6 |
|                 | X      | 25.4  | 34.48 | 39.34 | 44.94 | 1-178128-6 |
|                 | Y      | 20.32 | 29.4  | 34.26 | 39.86 | 2-178128-5 |
|                 | X      | 20.32 | 29.4  | 34.26 | 39.86 | 1-178128-5 |
| KEYING LOCATION | KEYING | D     | C     | B     | A     | PART NO    |

|  |             |                             |   |           |            |               |
|--|-------------|-----------------------------|---|-----------|------------|---------------|
| THIS DRAWING IS A CONTROLLED DOCUMENT. |             | DWN<br>SEE SHEET 1          | <b>STE</b> TE Connectivity                                      |           |            |               |
| DIMENSIONS: mm                         |             | CHK<br>SEE SHEET 1          |   |           |            |               |
| TOLERANCES UNLESS OTHERWISE SPECIFIED: |             | APVD<br>SEE SHEET 1         | NAME<br>DYNAMIC D-3200, 5.08 PITCH RECEPTACLE HOUSING(KEY: X,Y) |           |            |               |
| 0 PLC ±                                | SEE SHEET 1 | PRODUCT SPEC<br>SEE SHEET 1 | SIZE  | CAGE CODE | DRAWING NO | RESTRICTED TO |
| 1 PLC ±                                | SEE SHEET 1 | APPLICATION SPEC            | A2  | 00779     | C-178128   | -             |
| 2 PLC ±                                | SEE SHEET 1 | WEIGHT                      | SCALE 4:1 SHEET 2 OF 2 REV L                                    |           |            |               |
| 3 PLC ±                                | SEE SHEET 1 | CUSTOMER DRAWING            |   |           |            |               |
| 4 PLC ±                                | SEE SHEET 1 |                             |   |           |            |               |
| ANGLES ±                               | SEE SHEET 1 |                             |   |           |            |               |
| FINISH -                               | SEE SHEET 1 |                             |   |           |            |               |

# Mouser Electronics

Authorized Distributor

Click to View Pricing, Inventory, Delivery & Lifecycle Information:

[TE Connectivity:](#)

[1-178128-2](#)