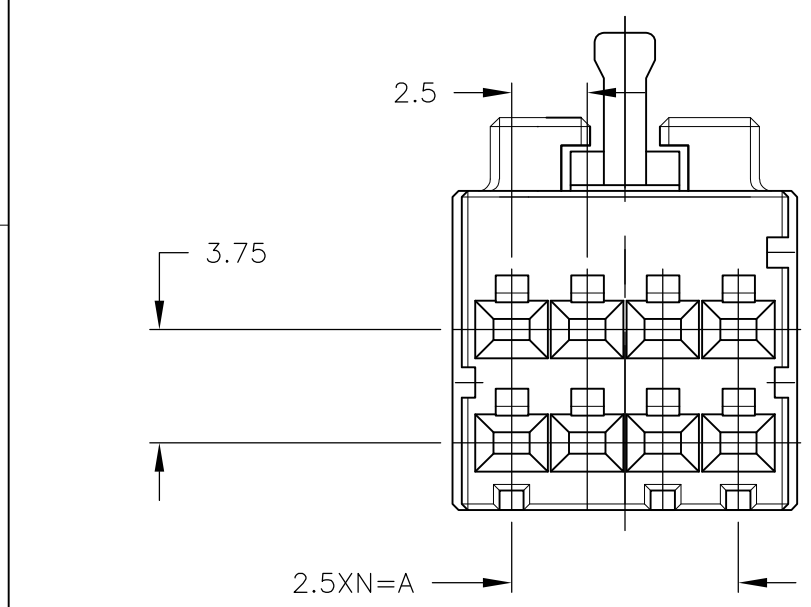
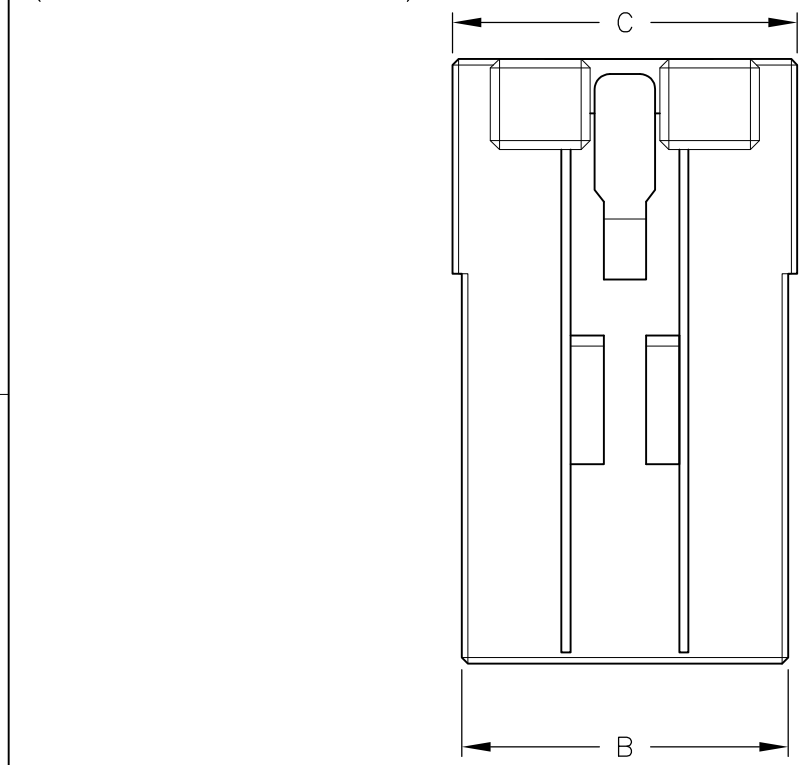
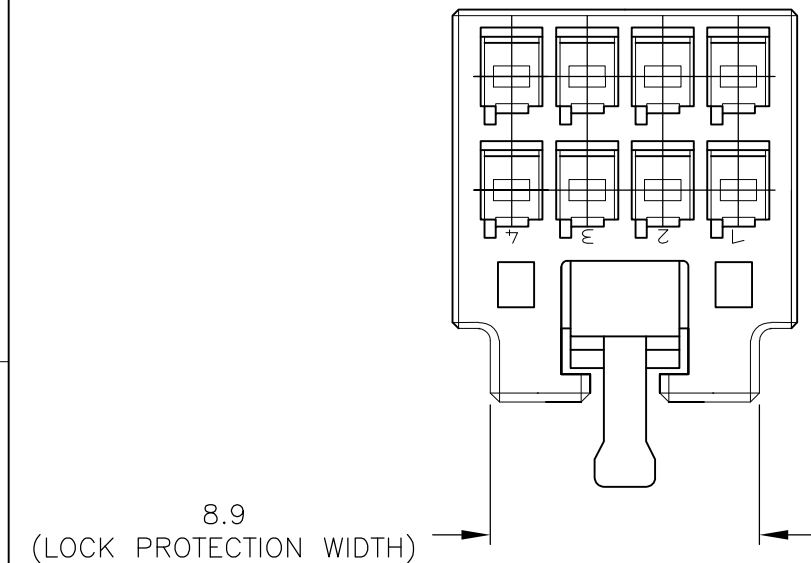


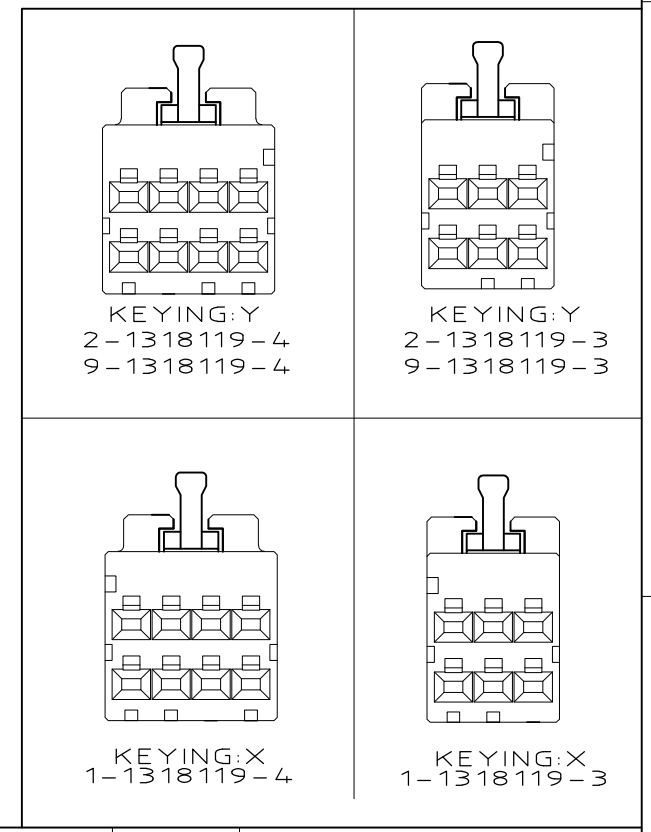
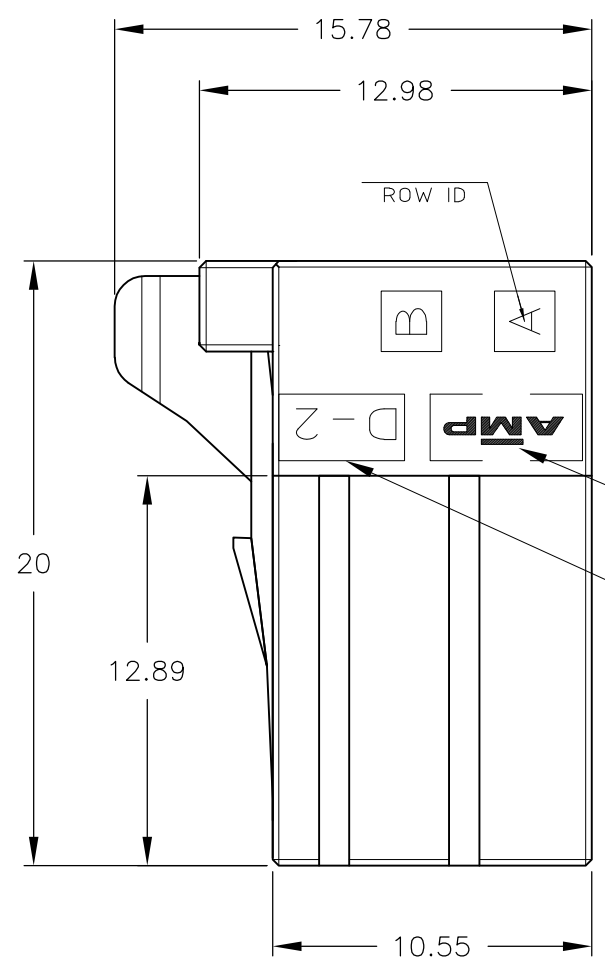
THIS DRAWING IS UNPUBLISHED. RELEASED FOR PUBLICATION
 © COPYRIGHT 2012 By Tyco Electronics Japan G.K. ALL RIGHTS RESERVED.

LOC	DIST	REVISIONS			
P	LTR	DESCRIPTION	DATE	DWN	APVD
J	—	E	REVISED	27JUN2012	H.M N.Y
		F	REVISED	17APR2015	H.O N.Y

NOTES
 1 MATERIAL:HOUSING:GLASS FILED THERMO PLASTIC
 ,POLYESTER(94V-0),
 COLOR:1-/2- : BLACK
 : 9- : NATURAL
 2 TO COAT ALL SURFACE OF HOUSING WITH TEFLON



KEY LOCATION VIEW
 2-1318119-4
 (KEYING Y)



OBSOLETE	2	11.4	10.8	7.5	3	8	5-1318119-4
	—	11.4	10.8	7.5	3	8	9-1318119-4 2-1318119-4
	—	11.4	10.8	7.5	3	8	1-1318119-4
OBSOLETE	1	8.9	8.3	5	2	6	5-1318119-3
	—	8.9	8.3	5	2	6	9-1318119-3 2-1318119-3
	—	8.9	8.3	5	2	6	1-1318119-3
FINISH		C	B	A	N	POS	PART NUMBER

THIS DRAWING IS A CONTROLLED DOCUMENT.

DWN	K.IKEDA	07DEC1998	STE TE Connectivity
CHK	N.MATSUBARA	07DEC1998	
APVD	I.HASEGAWA	07DEC1998	
NAME			
PRODUCT SPEC	108-5619		DOUBLE ROW REC HSG DYNAMIC D-2100D
APPLICATION SPEC	114-5258		
WEIGHT			SIZE CAGE CODE DRAWING NO RESTRICTED TO
MATERIAL			A300779 C-1318119
FINISH			SCALE 4:1 SHEET 1 OF 1 REV F

CUSTOMER DRAWING

Mouser Electronics

Authorized Distributor

Click to View Pricing, Inventory, Delivery & Lifecycle Information:

[TE Connectivity:](#)

[1-1318119-3](#)