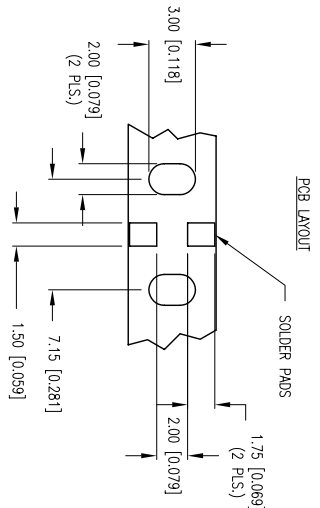
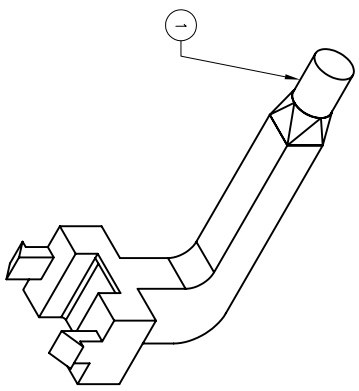
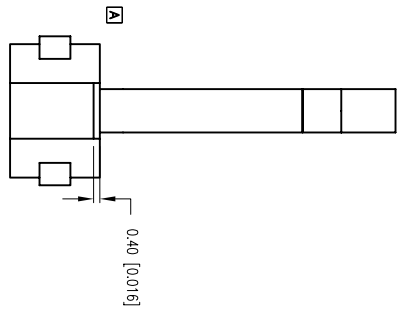
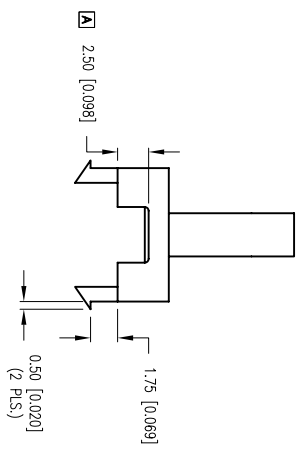
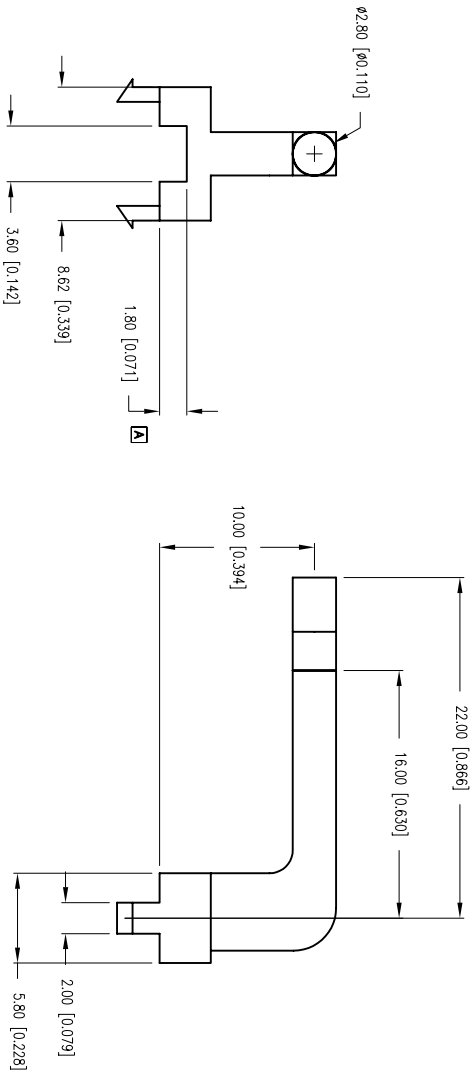


PART NUMBER	LPF-C011303S	REV.	A
DATE	12.20.06	REV.	A
E.C.N. NUMBER AND REVISION COMMENTS	E.C.N. #11377.		



- NOTES:
1. THE END OF THE LIGHT PIPE IS DIFFUSED.
 2. RECOMMENDED LED: SML-DX1206 SERIES, SINGLE COLOR
 3. STACKABLE WITH LPF-C011304S.
 4. MATERIAL: CLEAR PC, 94V-0.

UNLESS OTHERWISE SPECIFIED TOLERANCES PER DECIMAL PRECISION ARE: X=±1 (±0.039), XX=±0.5 (±0.020), XXX=±0.25 (±0.010), XXXX=±0.127 (±0.005), LEAD SIZE=±0.05 (±0.002), LEAD LENGTH=±0.75 (±0.030), MN=+DECIMAL PRECISION MAX.=+0.00 -DECIMAL PRECISION MIN.=-0.00

LUMEX
 290 E. HELEN ROAD
 PALATINE, IL 60067-6976
 PHONE: +1.847.359.2790
 FAX: +1.847.359.6538
 WEB: WWW.LUMEX.COM

SINGLE UNIT, STACKABLE RIGHT ANGLE SMT LIGHT PIPE.
 THE SPECIFICATIONS MAY CHANGE AT ANY TIME WITHOUT NOTICE DUE TO NEW MATERIALS OR PRODUCT IMPROVEMENT
 CONFIDENTIAL INFORMATION
 THE INFORMATION CONTAINED IN THIS DOCUMENT IS THE PROPERTY OF LUMEX INC. EXCEPT AS SPECIFICALLY AUTHORIZED IN WRITING BY LUMEX INC., THE HOLDER OF THIS DOCUMENT SHALL KEEP ALL INFORMATION CONTAINED HEREIN CONFIDENTIAL AND SHALL PROTECT SAME IN WHOLE OR IN PART FROM DISCLOSURE AND DISSEMINATION TO ALL THIRD PARTIES.

DATE:	12.20.06	DRAWN BY:	JC
PAGE:	1 OF 1	CHKD BY:	--
SCALE:		APRVD BY:	--
UNIT:	mm [INCH]		

UNCONTROLLED DOCUMENT