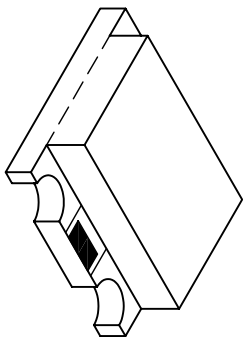
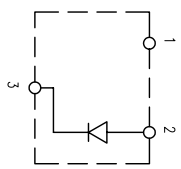
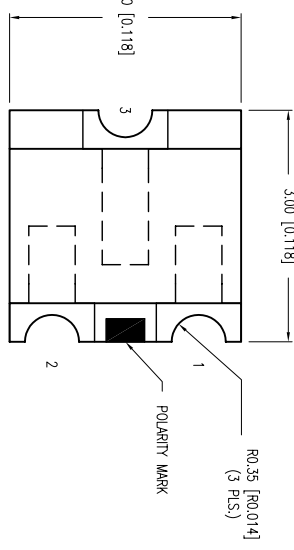


PART NUMBER	SML-LX151C-TR	REV.	E
DATE	E.C.N. #10967.	REV.	A
03.14.03	E.C.N. #11010.	REV.	B
07.03.03	E.C.N. #11148.	REV.	C
11.30.05	E.C.N. #11361.	REV.	D
11.28.06	E.C.N. #11501.	REV.	E
04.30.08			



ELECTRO-OPTICAL CHARACTERISTICS  $I_A=25^\circ\text{C}$   $I_f=20\text{mA}$

PARAMETER	MIN	TYP	MAX	UNITS	TEST COND
PEAK WAVELENGTH	635		2.8	nm	
FORWARD VOLTAGE	2.0			V <sub>f</sub>	$I_f=100\mu\text{A}$
REVERSE VOLTAGE	5.0			V <sub>r</sub>	$I_f=20\text{mA}$
AXIAL INTENSITY		10		med	
VIEWING ANGLE		140		2x theta	
EMITTED COLOR:		RED			
EPOXY LENS FINISH:		WATER CLEAR LENS			

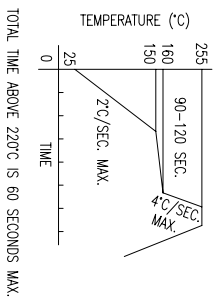
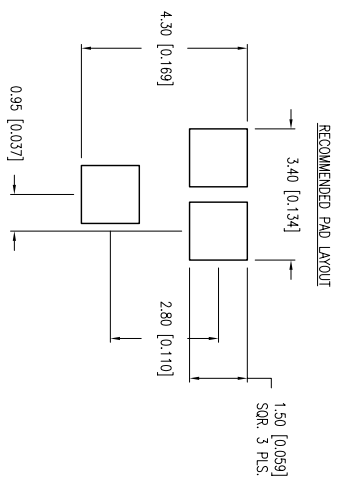
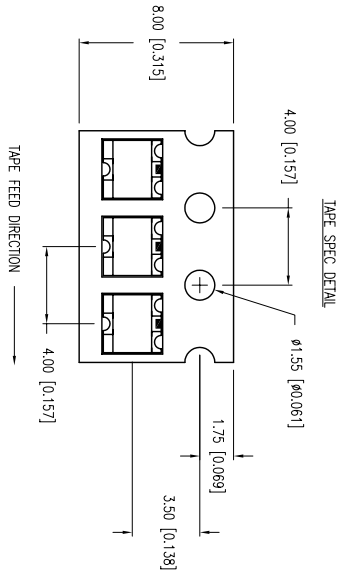
LIMITS OF SAFE OPERATION AT 25°C

PARAMETER	MAX	UNITS
PEAK FORWARD CURRENT*	160	mA
STEADY CURRENT	30	mA
POWER DISSIPATION	100	mW
DERATE FROM 25°C	-1.2	mW/°C
OPERATING TEMP.	-40 TO +85	°C
STORAGE TEMP.	-40 TO +85	°C

\* I<10US

CAUTION: MOISTURE SENSITIVE DEVICE PER JEDEC LEVEL 3 STANDARDS

- NOTES:
- THE POLARITY MARK IS ORIENTED TOWARDS THE TAPE SPROCKET HOLE.



LEAD FREE REFLOW PROFILE  
10 SEC. MAX.

\*UNLESS OTHERWISE SPECIFIED TOLERANCES PER DECIMAL PRECISION ARE: X=±1 (+0.039), XX=±0.5 (+0.020), XXX=±0.25 (+0.010), XXXX=±0.127 (+0.005), LEAD SIZE=±0.05 (+0.002), LEAD LENGTH=±0.75 (+0.030), MIN= -0.001 DECIMAL PRECISION MAX.= +0.001 DECIMAL PRECISION UNCONTROLLED DOCUMENT

**LUMEX**  
290 E. HELEN ROAD  
PALATINE, IL 60067-6976  
PHONE: +1.847.359.2790  
FAX: +1.847.359.6538  
WEB: WWW.LUMEX.COM

SOT-23 REPLACEMENT, SMT LED, 635nm RED LED, WATER CLEAR LENS, TAPE AND REEL.  
\*THE SPECIFICATIONS MAY CHANGE AT ANY TIME WITHOUT NOTICE DUE TO NEW MATERIALS OR PRODUCT IMPROVEMENT\*\*  
CONFIDENTIAL INFORMATION  
THE INFORMATION CONTAINED IN THIS DOCUMENT IS THE PROPERTY OF LUMEX INC. EXCEPT AS SPECIFICALLY AUTHORIZED IN WRITING BY LUMEX INC., THE HOLDER OF THIS DOCUMENT SHALL KEEP ALL INFORMATION CONTAINED HEREIN CONFIDENTIAL AND SHALL PROTECT SAME IN WHOLE OR IN PART FROM DISCLOSURE AND DISSEMINATION TO ALL THIRD PARTIES.

DATE:	11.28.06	DRAWN BY:	JC
PAGE:	1 OF 1	CHKD BY:	KF
SCALE:	NTS	APRD BY:	SS
UNIT:	mm [INCH]		