

FEATURES

- Compact 5-lead TSOT package**
- Low temperature coefficient**
 - B grade: 9 ppm/°C**
 - A grade: 25 ppm/°C**
- Initial accuracy**
 - B grade: ±4 mV maximum (ADR391)**
 - A grade: ±6 mV maximum**
- Ultralow output noise: 5 μV p-p (0.1 Hz to 10 Hz)**
- Low dropout: 300 mV**
- Low supply current**
 - 3 μA maximum in shutdown**
 - 140 μA maximum in operation**
- No external capacitor required**
- Output current: 5 mA**
- Automotive grade available**
- Wide temperature range: –40°C to +125°C**

APPLICATIONS

- Battery-powered instrumentation**
- Portable medical instrumentation**
- Data acquisition systems**
- Industrial process controls**
- Automotive**

GENERAL DESCRIPTION

The ADR391/ADR392/ADR395 are precision 2.5 V, 4.096 V, and 5 V band gap voltage references, respectively, featuring low power and high precision in a tiny footprint. Using patented temperature drift curvature correction techniques from Analog Devices, Inc., the ADR39x references achieve a low 9 ppm/°C of temperature drift in the TSOT package.

PIN CONFIGURATION

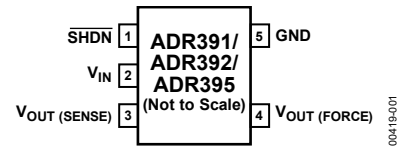


Figure 1. 5-Lead TSOT (UJ Suffix)

Table 1.

Model	Output Voltage (Vo)	Temperature Coefficient (ppm/°C)	Accuracy (mV)
ADR391B	2.5	9	±4
ADR391A	2.5	25	±6
ADR392B	4.096	9	±5
ADR392A	4.096	25	±6
ADR395B	5.0	9	±5
ADR395A	5.0	25	±6

The ADR39x family of micropower, low dropout voltage references provides a stable output voltage from a minimum supply of 300 mV above the output. Their advanced design eliminates the need for external capacitors, which further reduces board space and system cost. The combination of low power operation, small size, and ease of use makes the ADR39x precision voltage references ideally suited for battery-operated applications.

TABLE OF CONTENTS

Features 1
 Applications 1
 Pin Configuration 1
 General Description 1
 Revision History 2
 Specifications 3
 ADR391 Electrical Characteristics 3
 ADR392 Electrical Characteristics 4
 ADR395 Electrical Characteristics 5
 Absolute Maximum Ratings 6
 Thermal Resistance 6

REVISION HISTORY

4/2019—Rev. H to Rev. I

Change to General Description Section 1
 Added Figure 19; Renumbered Sequentially 9
 Changes to Shutdown Mode Operation Section 14
 Added Figure 35 and Figure 36 14
 Deleted Figure 40; Renumbered Sequentially 17
 Changes to Ordering Guide 18
 Updated Outline Dimensions 18

10/2009—Rev. G to Rev. H

Deleted ADR390 Universal
 Changes to Ordering Guide Section 18

2/2008—Rev. F to Rev. G

Changes to Ripple Rejection Ration Parameter (Table 2) 3
 Changes to Ripple Rejection Ration Parameter (Table 3) 4
 Changes to Ripple Rejection Ration Parameter (Table 4) 5
 Changes to Ripple Rejection Ration Parameter (Table 5) 6
 Changes to Figure 7 9
 Changes to Outline Dimensions 19
 Changes to Ordering Guide 19

5/2005—Rev. E to Rev. F

Changes to Table 5 7
 Changes to Figure 2 9

4/2004—Rev. D to Rev. E

Changes to ADR390—Specifications 3
 Changes to ADR391—Specifications 4
 Changes to ADR392—Specifications 5
 Changes to ADR395—Specifications 6

4/2004—Rev. C to Rev. D

Updated Format Universal
 Changes to Title 1
 Changes to Features 1

ESD Caution 6
 Typical Performance Characteristics 7
 Terminology 13
 Theory of Operation 14
 Device Power Dissipation Considerations 14
 Shutdown Mode Operation 14
 Applications Information 15
 Basic Voltage Reference Connection 15
 Capacitors 17
 Outline Dimensions 18
 Ordering Guide 18

Changes to Applications 1
 Changes to General Description 1
 Changes to Table 1 1
 Changes to ADR390—Specifications 3
 Changes to ADR391—Specifications 4
 Changes to ADR392—Specifications 5
 Changes to ADR395—Specifications 6
 Changes to Absolute Maximum Ratings 7
 Changes to Thermal Resistance 7
 Moved ESD Caution 7
 Changes to Figure 3, Figure 4, Figure 7, and Figure 8 9
 Changes to Figure 11, Figure 12, Figure 13, and Figure 14 10
 Changes to Figure 15, Figure 16, Figure 19, and Figure 20 11
 Changes to Figure 23 and Figure 24 12
 Changes to Figure 27 13
 Changes to Ordering Guide 19
 Updated Outline Dimensions 19

10/2002—Rev. B to Rev. C

Add parts ADR392 and ADR395 Universal
 Changes to Features 1
 Changes to General Description 1
 Additions to Table I 1
 Changes to Specifications 2
 Changes to Ordering Guide 4
 Changes to Absolute Maximum Ratings 4
 New TPCs 3, 4, 7, 8, 11, 12, 15, 16, 19, and 20 6
 New Figures 4 and 5 13
 Deleted A Negative Precision Reference
 without Precision Resistors Section 13
 Edits to General-Purpose Current Source Section 13
 Updated Outline Dimensions 15

5/2002—Rev. A to Rev. B

Edits to Layout Universal
 Changes to Figure 6 13

SPECIFICATIONS

ADR391 ELECTRICAL CHARACTERISTICS

$V_{IN} = 2.8 \text{ V to } 15 \text{ V}$, $T_A = 25^\circ\text{C}$, unless otherwise noted.

Table 2.

Parameter	Symbol	Conditions	Min	Typ	Max	Unit					
OUTPUT VOLTAGE	V_O	A grade	2.494	2.5	2.506	V					
		B grade	2.496	2.5	2.504	V					
INITIAL ACCURACY	V_{OERR}	A grade			6	mV					
		A grade			0.24	%					
		B grade			4	mV					
		B grade			0.16	%					
TEMPERATURE COEFFICIENT	TCV_O	A grade, $-40^\circ\text{C} < T_A < +125^\circ\text{C}$			25	ppm/ $^\circ\text{C}$					
		B grade, $-40^\circ\text{C} < T_A < +125^\circ\text{C}$			9	ppm/ $^\circ\text{C}$					
SUPPLY VOLTAGE HEADROOM	$V_{IN} - V_O$		300			mV					
LINE REGULATION	$\Delta V_O / \Delta V_{IN}$	$V_{IN} = 2.8 \text{ V to } 15 \text{ V}$, $-40^\circ\text{C} < T_A < +125^\circ\text{C}$		10	25	ppm/V					
LOAD REGULATION	$\Delta V_O / \Delta I_{LOAD}$	$I_{LOAD} = 0 \text{ mA to } 5 \text{ mA}$, $-40^\circ\text{C} < T_A < +85^\circ\text{C}$, $V_{IN} = 3 \text{ V}$			60	ppm/mA					
		$I_{LOAD} = 0 \text{ mA to } 5 \text{ mA}$, $-40^\circ\text{C} < T_A < +125^\circ\text{C}$, $V_{IN} = 3 \text{ V}$			140	ppm/mA					
QUIESCENT CURRENT	I_{IN}	No load $-40^\circ\text{C} < T_A < +125^\circ\text{C}$			120	μA					
					140	μA					
VOLTAGE NOISE	$e_{n \text{ p-p}}$	0.1 Hz to 10 Hz		5		$\mu\text{V p-p}$					
TURN-ON SETTLING TIME	t_R			20		μs					
LONG-TERM STABILITY ¹	ΔV_O	1000 hours		50		ppm					
OUTPUT VOLTAGE HYSTERESIS	ΔV_{O_HYS}			100		ppm					
RIPPLE REJECTION RATIO	RRR	$f_{IN} = 60 \text{ Hz}$		-80		dB					
SHORT CIRCUIT TO GND	I_{SC}	$V_{IN} = 5 \text{ V}$		25		mA					
		$V_{IN} = 15 \text{ V}$		30		mA					
SHUTDOWN PIN			2.4								
							Shutdown Supply Current	I_{SHDN}		3	μA
							Shutdown Logic Input Current	I_{LOGIC}		500	nA
							Shutdown Logic Low	V_{INL}		0.8	V
Shutdown Logic High	V_{INH}				V						

¹ The long-term stability specification is noncumulative. The drift of subsequent 1000 hour periods is significantly lower than in the first 1000 hour period.

ADR392 ELECTRICAL CHARACTERISTICS

$V_{IN} = 4.3 \text{ V}$ to 15 V , $T_A = 25^\circ\text{C}$, unless otherwise noted.

Table 3.

Parameter	Symbol	Conditions	Min	Typ	Max	Unit
OUTPUT VOLTAGE	V_O	A grade	4.090	4.096	4.102	V
		B grade	4.091	4.096	4.101	V
INITIAL ACCURACY	V_{OERR}	A grade			6	mV
		A grade			0.15	%
		B grade			5	mV
		B grade			0.12	%
TEMPERATURE COEFFICIENT	TCV_O	A grade, $-40^\circ\text{C} < T_A < +125^\circ\text{C}$			25	ppm/ $^\circ\text{C}$
		B grade, $-40^\circ\text{C} < T_A < +125^\circ\text{C}$			9	ppm/ $^\circ\text{C}$
SUPPLY VOLTAGE HEADROOM	$V_{IN} - V_O$		300			mV
LINE REGULATION	$\Delta V_O / \Delta V_{IN}$	$V_{IN} = 4.3 \text{ V}$ to 15 V , $-40^\circ\text{C} < T_A < +125^\circ\text{C}$		10	25	ppm/V
LOAD REGULATION	$\Delta V_O / \Delta I_{LOAD}$	$I_{LOAD} = 0 \text{ mA}$ to 5 mA , $-40^\circ\text{C} < T_A < +125^\circ\text{C}$, $V_{IN} = 5 \text{ V}$			140	ppm/mA
QUIESCENT CURRENT	I_{IN}	No load			120	μA
		$-40^\circ\text{C} < T_A < +125^\circ\text{C}$			140	μA
VOLTAGE NOISE	$e_{n \text{ p-p}}$	0.1 Hz to 10 Hz		7		$\mu\text{V p-p}$
TURN-ON SETTLING TIME	t_R			20		μs
LONG-TERM STABILITY ¹	ΔV_O	1000 hours		50		ppm
OUTPUT VOLTAGE HYSTERESIS	ΔV_{O_HYS}			100		ppm
RIPPLE REJECTION RATIO	RRR	$f_{IN} = 60 \text{ Hz}$		-80		dB
SHORT CIRCUIT TO GND	I_{SC}	$V_{IN} = 5 \text{ V}$		25		mA
		$V_{IN} = 15 \text{ V}$		30		mA
SHUTDOWN PIN						
Shutdown Supply Current	I_{SHDN}				3	μA
Shutdown Logic Input Current	I_{LOGIC}				500	nA
Shutdown Logic Low	V_{INL}				0.8	V
Shutdown Logic High	V_{INH}		2.4			V

¹ The long-term stability specification is noncumulative. The drift of subsequent 1000 hour periods is significantly lower than in the first 1000 hour period.

ADR395 ELECTRICAL CHARACTERISTICS

$V_{IN} = 5.3 \text{ V to } 15 \text{ V}$, $T_A = 25^\circ\text{C}$, unless otherwise noted.

Table 4.

Parameter	Symbol	Conditions	Min	Typ	Max	Unit
OUTPUT VOLTAGE	V_O	A grade	4.994	5.000	5.006	V
		B grade	4.995	5.000	5.005	V
INITIAL ACCURACY	V_{OERR}	A grade			6	mV
		A grade			0.12	%
		B grade			5	mV
		B grade			0.10	%
TEMPERATURE COEFFICIENT	TCV_O	A grade, $-40^\circ\text{C} < T_A < +125^\circ\text{C}$			25	ppm/ $^\circ\text{C}$
		B grade, $-40^\circ\text{C} < T_A < +125^\circ\text{C}$			9	ppm/ $^\circ\text{C}$
SUPPLY VOLTAGE HEADROOM	$V_{IN} - V_O$		300			mV
LINE REGULATION	$\Delta V_O / \Delta V_{IN}$	$V_{IN} = 4.3 \text{ V to } 15 \text{ V}$, $-40^\circ\text{C} < T_A < +125^\circ\text{C}$		10	25	ppm/V
LOAD REGULATION	$\Delta V_O / \Delta I_{LOAD}$	$I_{LOAD} = 0 \text{ mA to } 5 \text{ mA}$, $-40^\circ\text{C} < T_A < +125^\circ\text{C}$, $V_{IN} = 6 \text{ V}$			140	ppm/mA
QUIESCENT CURRENT	I_{IN}	No load			120	μA
		$-40^\circ\text{C} < T_A < +125^\circ\text{C}$			140	μA
VOLTAGE NOISE	$e_{n \text{ p-p}}$	0.1 Hz to 10 Hz		8		$\mu\text{V p-p}$
TURN-ON SETTLING TIME	t_R			20		μs
LONG-TERM STABILITY ¹	ΔV_O	1000 hours		50		ppm
OUTPUT VOLTAGE HYSTERESIS	ΔV_{O_HYS}			100		ppm
RIPPLE REJECTION RATIO	RRR	$f_{IN} = 60 \text{ Hz}$		-80		dB
SHORT CIRCUIT TO GND	I_{SC}	$V_{IN} = 5 \text{ V}$			25	mA
		$V_{IN} = 15 \text{ V}$			30	mA
SHUTDOWN PIN						
Shutdown Supply Current	I_{SHDN}				3	μA
Shutdown Logic Input Current	I_{LOGIC}				500	nA
Shutdown Logic Low	V_{INL}				0.8	V
Shutdown Logic High	V_{INH}		2.4			V

¹ The long-term stability specification is noncumulative. The drift of subsequent 1000 hour periods is significantly lower than in the first 1000 hour period.

ABSOLUTE MAXIMUM RATINGS

At 25°C, unless otherwise noted.

Table 5.

Parameter	Rating
Supply Voltage	18 V
Output Short-Circuit Duration to GND	See derating curves
Storage Temperature Range	−65°C to +125°C
Operating Temperature Range	−40°C to +125°C
Junction Temperature Range	−65°C to +125°C
Lead Temperature (Soldering, 60 sec)	300°C

Stresses at or above those listed under Absolute Maximum Ratings may cause permanent damage to the product. This is a stress rating only; functional operation of the product at these or any other conditions above those indicated in the operational section of this specification is not implied. Operation beyond the maximum operating conditions for extended periods may affect product reliability.

THERMAL RESISTANCE

θ_{JA} is specified for the worst-case conditions, that is, for a device soldered in a circuit board for surface-mount packages.

Table 6.

Package Type	θ_{JA}	θ_{JC}	Unit
TSOT (UJ-5)	230	146	°C/W

ESD CAUTION



ESD (electrostatic discharge) sensitive device. Charged devices and circuit boards can discharge without detection. Although this product features patented or proprietary protection circuitry, damage may occur on devices subjected to high energy ESD. Therefore, proper ESD precautions should be taken to avoid performance degradation or loss of functionality.

TYPICAL PERFORMANCE CHARACTERISTICS

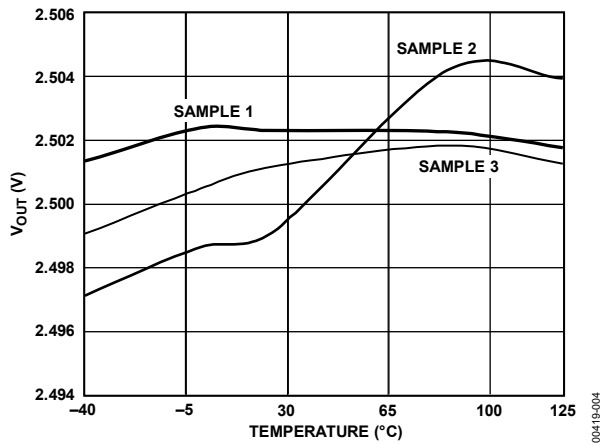


Figure 2. ADR391 Output Voltage (V_{OUT}) vs. Temperature

00419-004

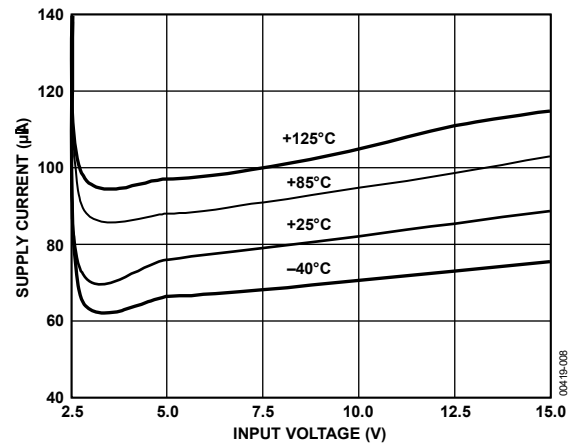


Figure 5. ADR391 Supply Current vs. Input Voltage

00419-008

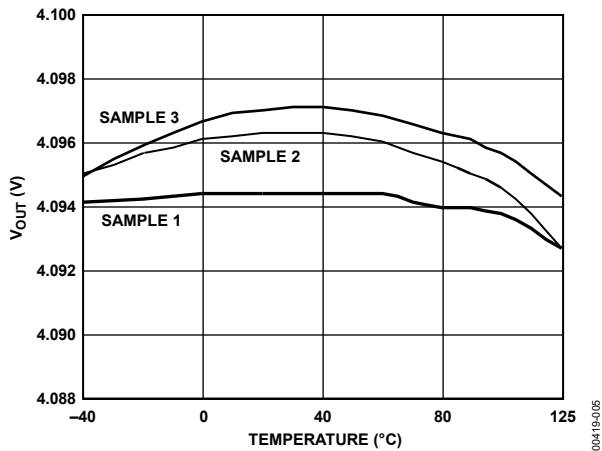


Figure 3. ADR392 Output Voltage (V_{OUT}) vs. Temperature

00419-005

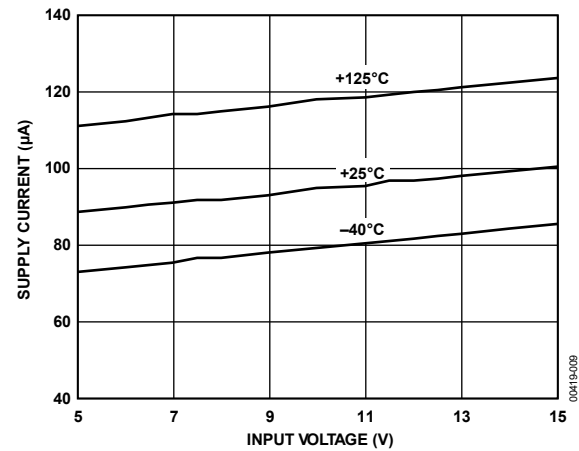


Figure 6. ADR392 Supply Current vs. Input Voltage

00419-009

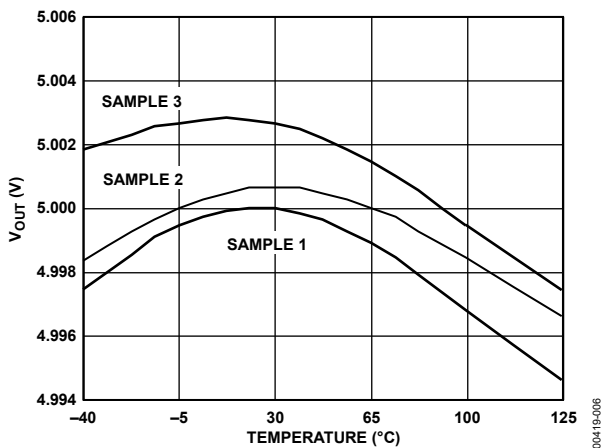


Figure 4. ADR395 Output Voltage (V_{OUT}) vs. Temperature

00419-006

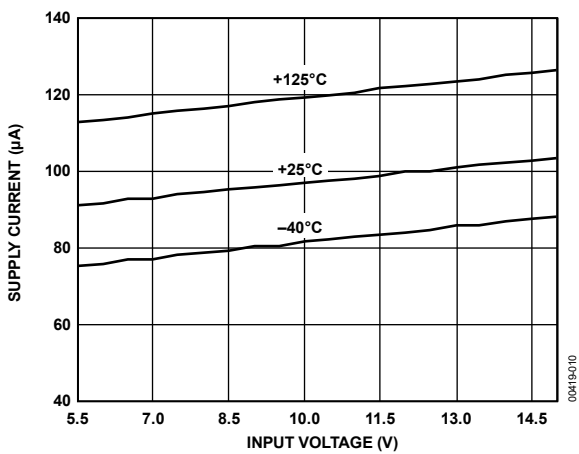


Figure 7. ADR395 Supply Current vs. Input Voltage

00419-010

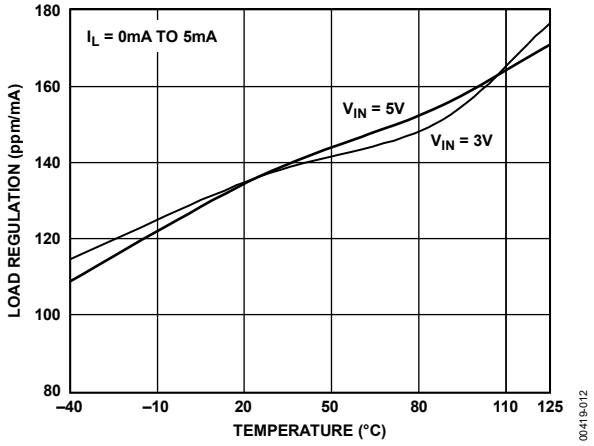


Figure 8. ADR391 Load Regulation vs. Temperature

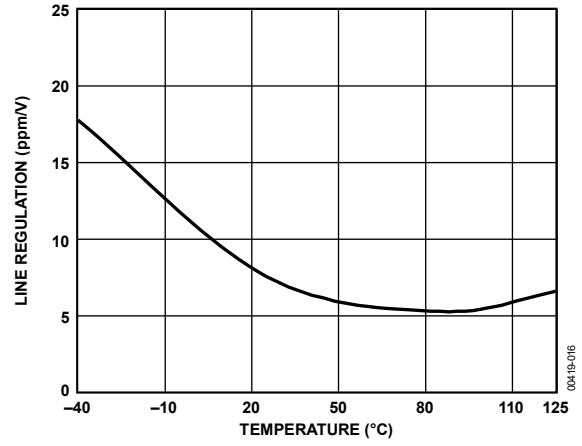


Figure 11. ADR391 Line Regulation vs. Temperature

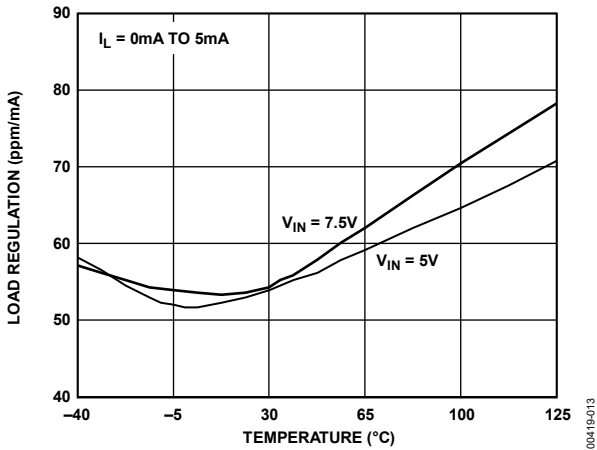


Figure 9. ADR392 Load Regulation vs. Temperature

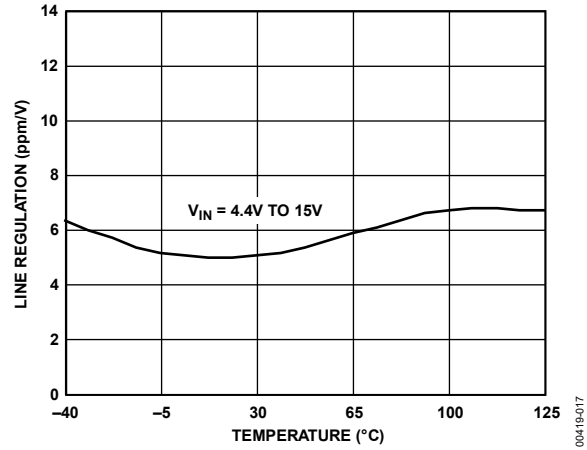


Figure 12. ADR392 Line Regulation vs. Temperature

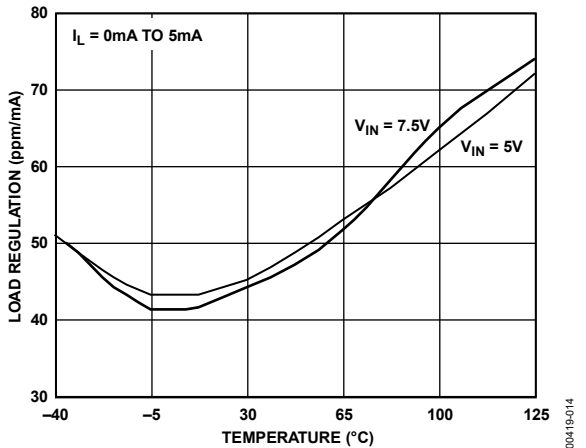


Figure 10. ADR395 Load Regulation vs. Temperature

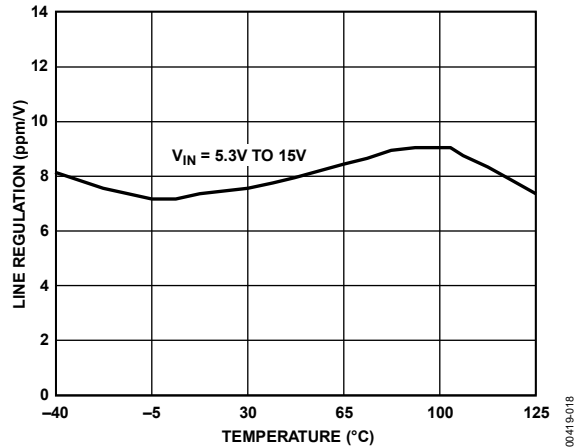


Figure 13. ADR395 Line Regulation vs. Temperature

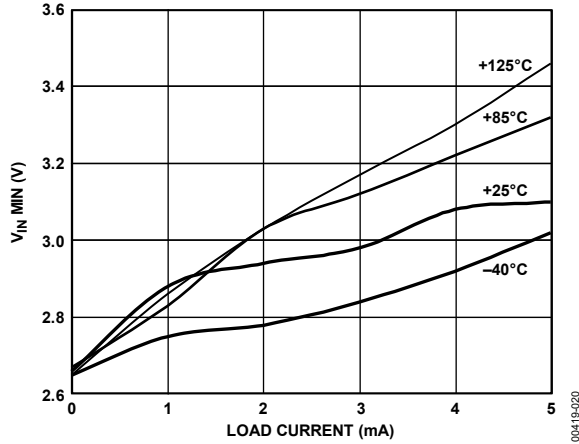


Figure 14. ADR391 Minimum Input Voltage (V_{IN}) vs. Load Current

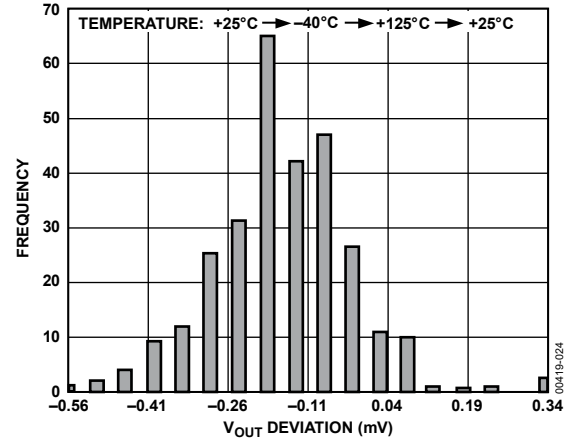


Figure 17. ADR391 V_{OUT} Hysteresis Distribution

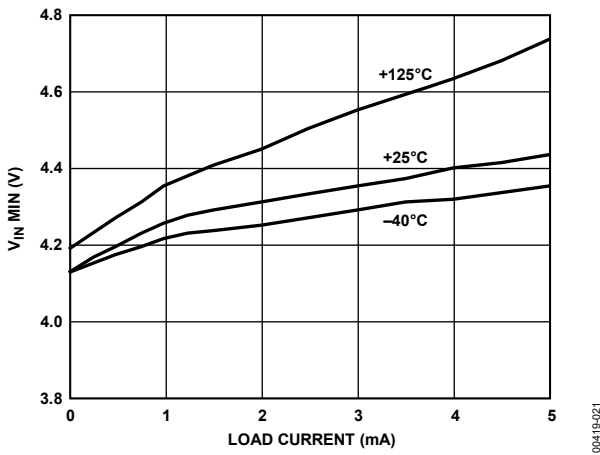


Figure 15. ADR392 Minimum Input Voltage (V_{IN}) vs. Load Current

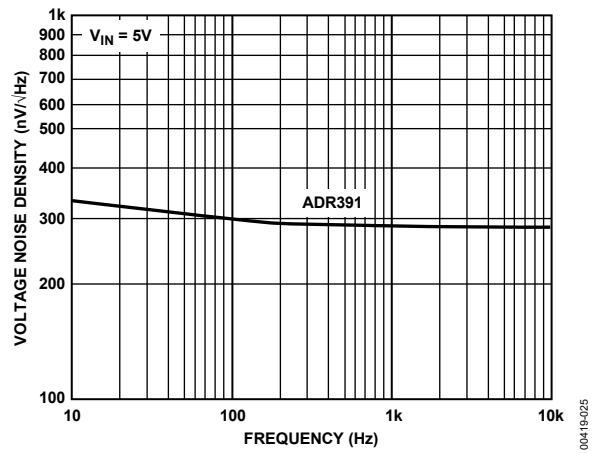


Figure 18. Voltage Noise Density vs. Frequency

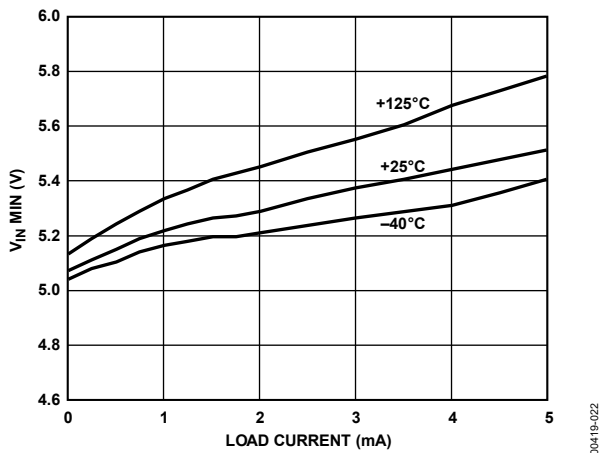


Figure 16. ADR395 Minimum Input Voltage (V_{IN}) vs. Load Current

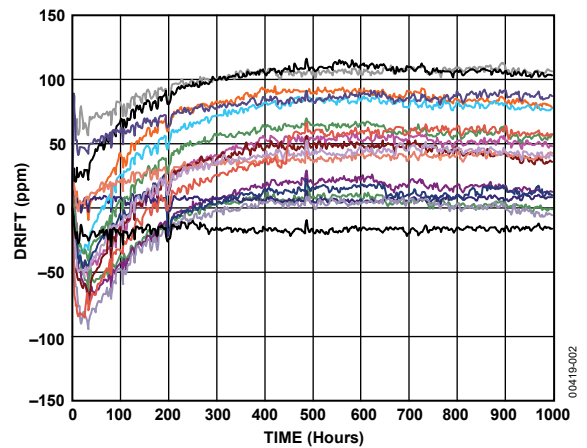


Figure 19. ADR391 Typical Long-Term Drift Over 1000 Hours

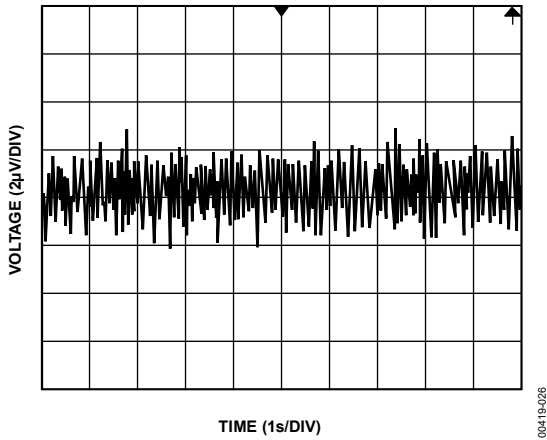


Figure 20. ADR391 Typical Voltage Noise 0.1 Hz to 10 Hz

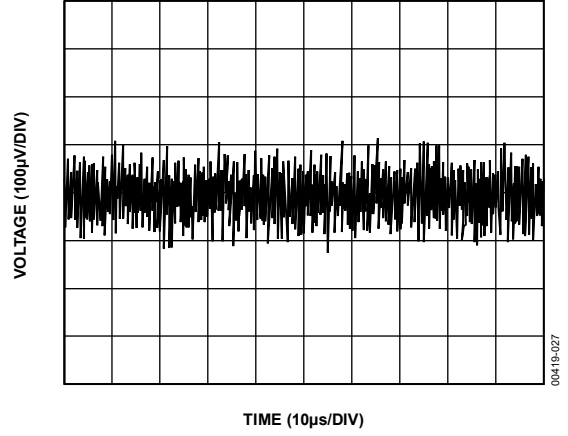


Figure 23. ADR391 Voltage Noise 10 Hz to 10 kHz

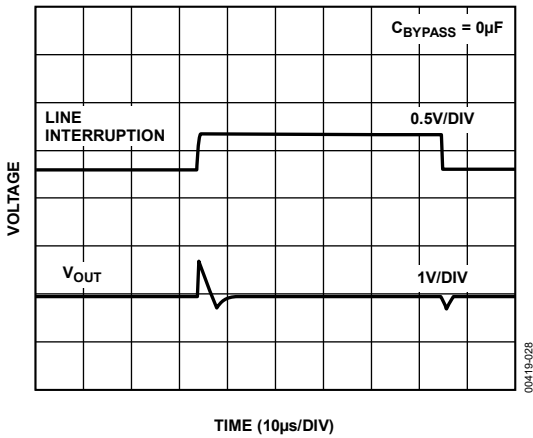


Figure 21. ADR391 Line Transient Response

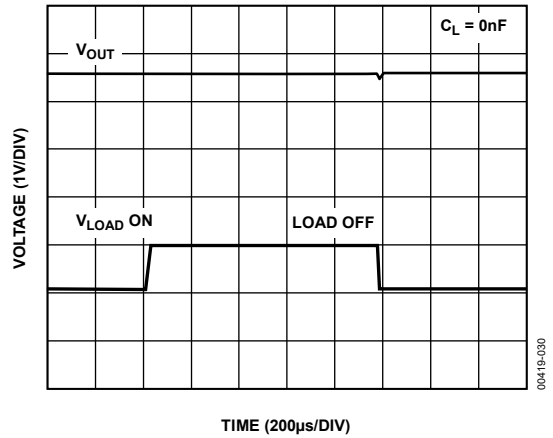


Figure 24. ADR391 Load Transient Response

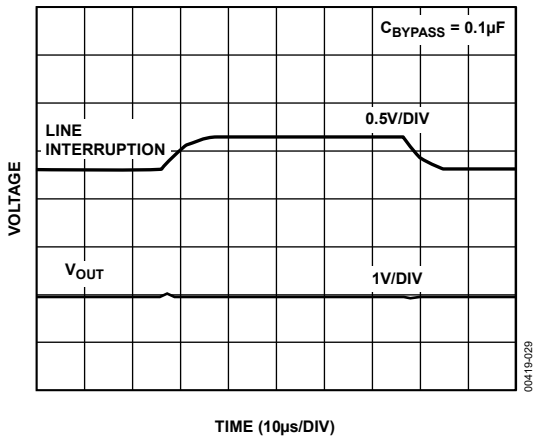


Figure 22. ADR391 Line Transient Response

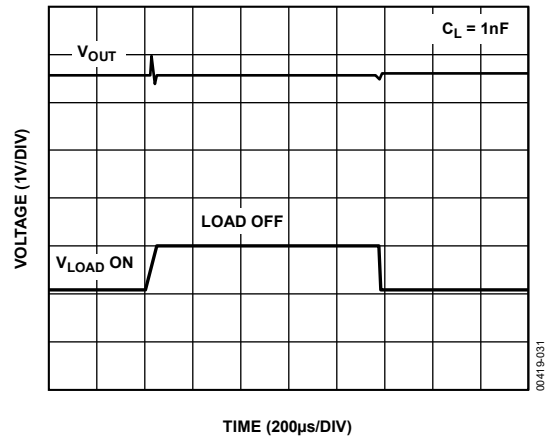


Figure 25. ADR391 Load Transient Response

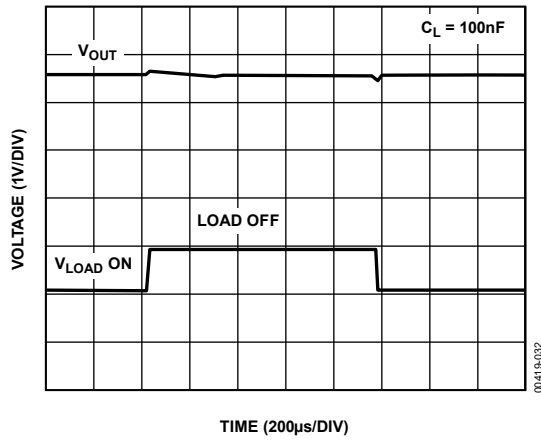


Figure 26. ADR391 Load Transient Response

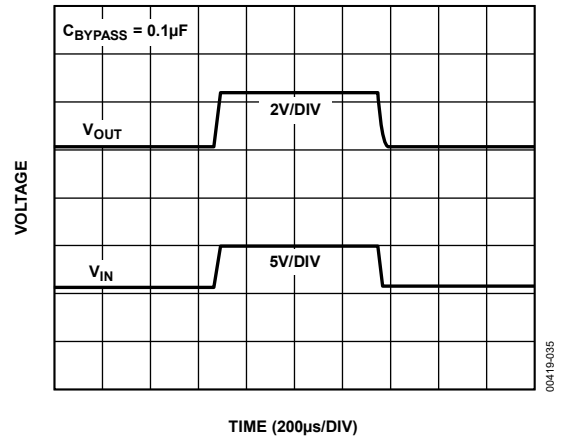


Figure 29. ADR391 Turn-On/Turn-Off Response at 5 V with Capacitance

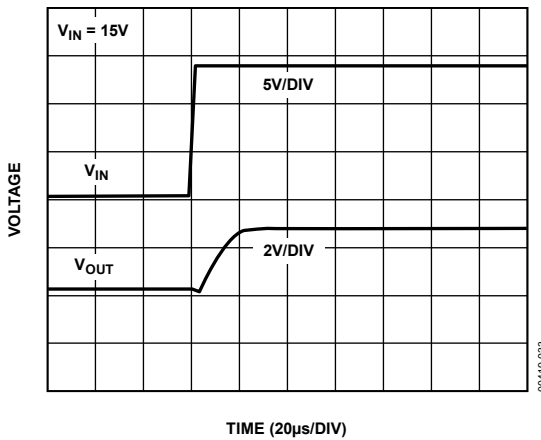


Figure 27. ADR391 Turn-On Response Time at 15 V

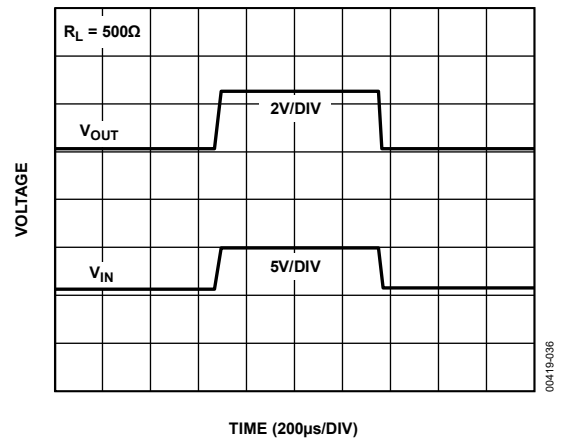


Figure 30. ADR391 Turn-On/Turn-Off Response at 5 V with Resistor Load

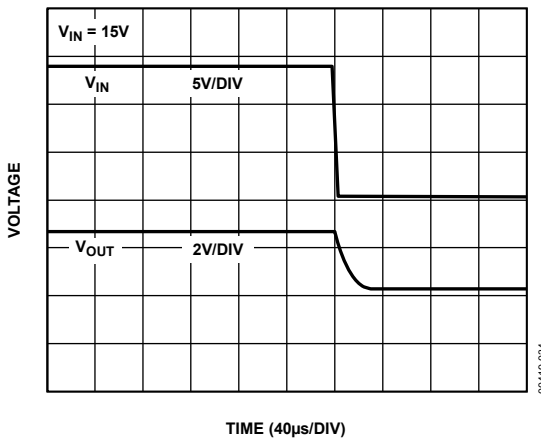


Figure 28. ADR391 Turn-Off Response at 15 V

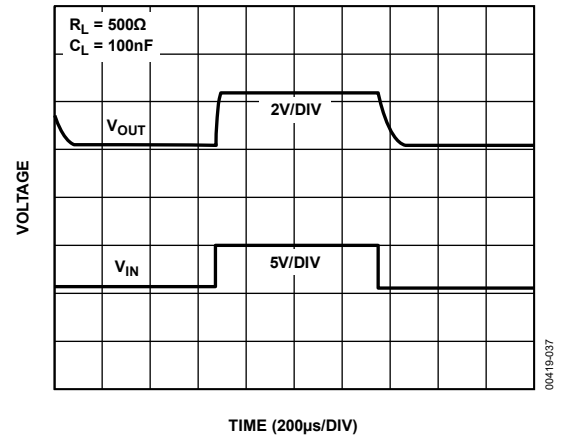


Figure 31. ADR391 Turn-On/Turn-Off Response at 5 V

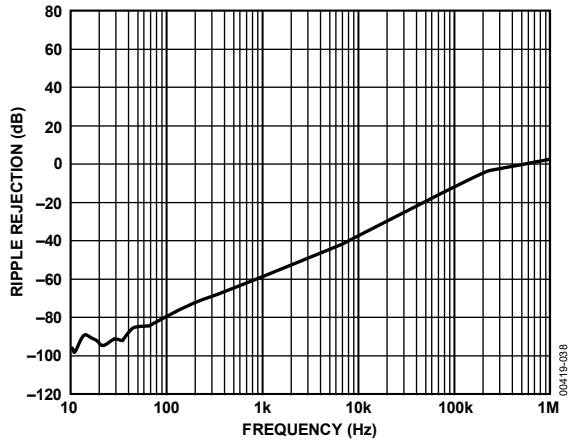


Figure 32. Ripple Rejection vs. Frequency

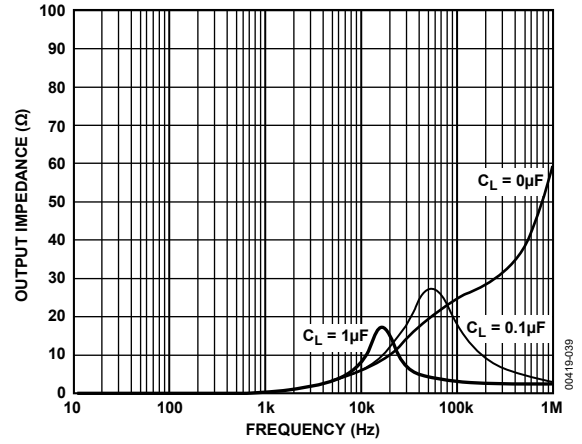


Figure 33. Output Impedance vs. Frequency

TERMINOLOGY

Temperature Coefficient

The change of output voltage with respect to operating temperature changes normalized by the output voltage at 25°C. This parameter is expressed in ppm/°C and can be determined by

$$TCV_o[\text{ppm}/^\circ\text{C}] = \frac{V_o(T_2) - V_o(T_1)}{V_o(25^\circ\text{C}) \times (T_2 - T_1)} \times 10^6 \quad (1)$$

where:

$V_o(25^\circ\text{C})$ is V_o at 25°C.

$V_o(T_1)$ is V_o at Temperature 1.

$V_o(T_2)$ is V_o at Temperature 2.

Line Regulation

The change in output voltage due to a specified change in input voltage. This parameter accounts for the effects of self-heating. Line regulation is expressed in either percent per volt, parts-per-million per volt, or microvolts per volt change in input voltage.

Load Regulation

The change in output voltage due to a specified change in load current. This parameter accounts for the effects of self-heating. Load regulation is expressed in either microvolts per milliampere, parts-per-million per milliampere, or ohms of dc output resistance.

Long-Term Stability

Typical shift of output voltage at 25°C on a sample of parts subjected to a test of 1000 hours at 25°C.

$$\Delta V_o = V_o(t_0) - V_o(t_1)$$

$$\Delta V_o[\text{ppm}] = \left(\frac{V_o(t_0) - V_o(t_1)}{V_o(t_0)} \times 10^6 \right) \quad (2)$$

where:

$V_o(t_0)$ is V_o at 25°C at Time 0.

$V_o(t_1)$ is V_o at 25°C after 1000 hours operation at 25°C.

Thermally Induced Output Voltage Hysteresis

The change of output voltage after the device cycles through the temperatures from +25°C to -40°C to +125°C and back to +25°C. This is a typical value from a sample of parts put through such a cycle.

$$V_{o_HYS} = V_o(25^\circ\text{C}) - V_{o_TC} \quad (3)$$

$$V_{o_HYS}[\text{ppm}] = \frac{V_o(25^\circ\text{C}) - V_{o_TC}}{V_o(25^\circ\text{C})} \times 10^6 \quad (4)$$

where:

$V_o(25^\circ\text{C})$ is V_o at 25°C.

V_{o_TC} is V_o at 25°C after a temperature cycle from +25°C to -40°C to +125°C and back to +25°C.

THEORY OF OPERATION

Band gap references are the high performance solution for low supply voltage and low power voltage reference applications, and the ADR391/ADR392/ADR395 are no exception. The uniqueness of these devices lies in the architecture. As shown in Figure 34, the ideal zero TC band gap voltage is referenced to the output, not to ground. Therefore, if noise exists on the ground line, it is greatly attenuated on V_{OUT} . The band gap cell consists of the PNP pair, Q51 and Q52, running at unequal current densities. The difference in V_{BE} results in a voltage with a positive TC, which is amplified by a ratio of

$$2 \times \frac{R58}{R54}$$

This PTAT voltage, combined with V_{BE} s of Q51 and Q52, produces a stable band gap voltage.

Reduction in the band gap curvature is performed by the ratio of Resistors R44 and R59, one of which is linearly temperature dependent. Precision laser trimming and other patented circuit techniques are used to further enhance the drift performance.

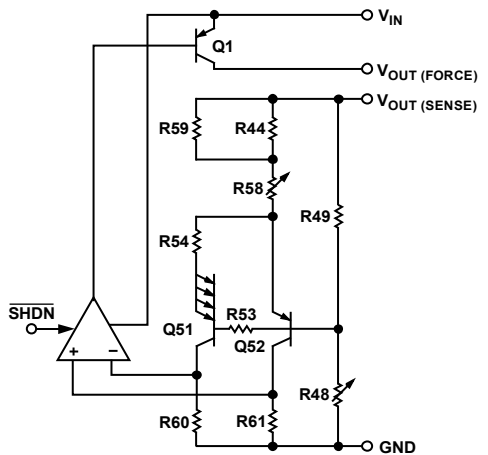


Figure 34. Simplified Schematic

DEVICE POWER DISSIPATION CONSIDERATIONS

The ADR391/ADR392/ADR395 are capable of delivering load currents to 5 mA, with an input voltage that ranges from 2.8 V (ADR391 only) to 15 V. When these devices are used in applications with large input voltages, care should be taken to avoid exceeding the specified maximum power dissipation or junction temperature because it could result in premature device failure. The following formula should be used to calculate

the maximum junction temperature or dissipation of the device:

$$P_D = \frac{T_J - T_A}{\theta_{JA}} \quad (5)$$

where:

T_J and T_A are, respectively, the junction and ambient temperatures.

P_D is the device power dissipation.

θ_{JA} is the device package thermal resistance.

SHUTDOWN MODE OPERATION

The ADR391/ADR392/ADR395 include a shutdown feature that is TTL/CMOS level compatible. A logic low or a 0 V condition on the \overline{SHDN} pin is required to turn the devices off. During shutdown mode, the output of the reference becomes a high impedance state, where its potential is determined by external circuitry. If the ADR39x is powered on with the \overline{SHDN} pin held low during power on, one of the following conditions must be met:

- Capacitor placed between V_{IN} and \overline{SHDN} as shown in Figure 35, or
- Low pass filter the input as shown in Figure 36, or
- ≥ 200 ms power supply ramp rate to V_{IN} .

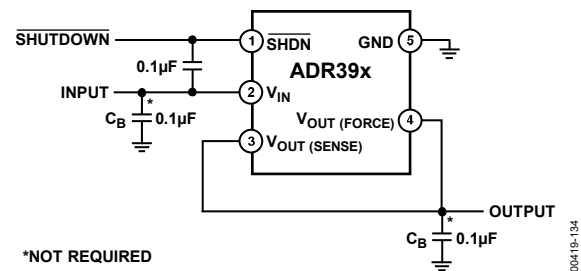


Figure 35. V_{IN} and \overline{SHDN} Capacitor

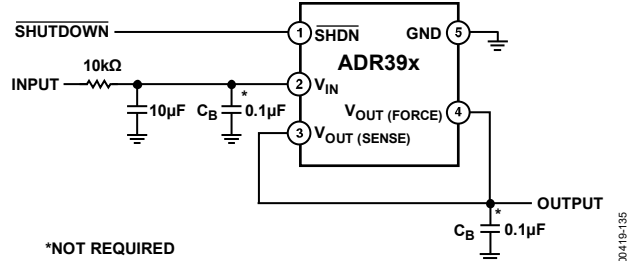


Figure 36. Low Pass Filter at V_{IN} Pin

If the shutdown feature is not used, the \overline{SHDN} pin must be connected to V_{IN} (Pin 2).

APPLICATIONS INFORMATION

BASIC VOLTAGE REFERENCE CONNECTION

The circuit shown in Figure 37 illustrates the basic configuration for the ADR39x family. Decoupling capacitors are not required for circuit stability. The ADR39x family is capable of driving capacitive loads from 0 μ F to 10 μ F. However, a 0.1 μ F ceramic output capacitor is recommended to absorb and deliver the charge, as required by a dynamic load.

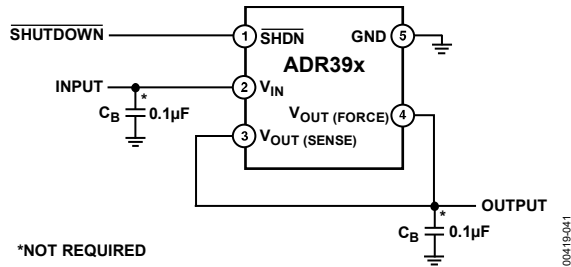


Figure 37. Basic Configuration for the ADR39x Family

Stacking Reference ICs for Arbitrary Outputs

Some applications may require two reference voltage sources, which are a combined sum of standard outputs. Figure 38 shows how this stacked output reference can be implemented.

U1/U2	V _{OUT1} (V)	V _{OUT2} (V)
ADR391/ADR391	2.5	5.0
ADR392/ADR392	4.096	8.192
ADR395/ADR395	5	10

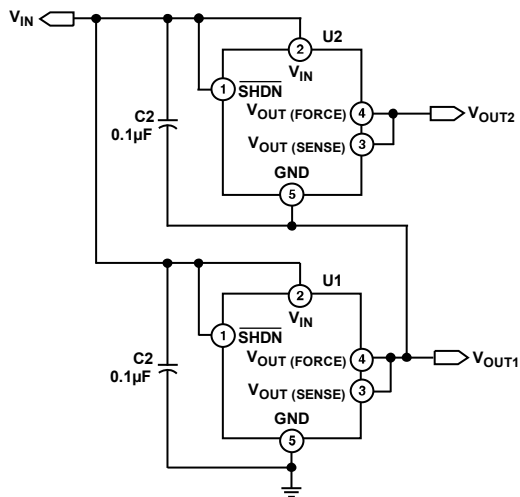


Figure 38. Stacking Voltage References with the ADR391/ADR392/ADR395

Two reference ICs are used, fed from an unregulated input, V_{IN} . The outputs of the individual ICs are connected in series, which provide two output voltages, V_{OUT1} and V_{OUT2} . V_{OUT1} is the terminal voltage of U1, while V_{OUT2} is the sum of this voltage and the terminal voltage of U2. U1 and U2 are chosen for the two voltages that supply the required outputs (see the Output Table in Figure 38). For example, if both U1 and U2 are ADR391s, V_{OUT1} is 2.5 V and V_{OUT2} is 5.0 V.

While this concept is simple, a precaution is required. Because the lower reference circuit must sink a small bias current from U2 plus the base current from the series PNP output transistor in U2, either the external load of U1 or an external resistor must provide a path for this current. If the U1 minimum load is not well defined, the external resistor should be used and set to a value that conservatively passes 600 μ A of current with the applicable V_{OUT1} across it. Note that the two U1 and U2 reference circuits are treated locally as macrocells; each has its own bypasses at input and output for best stability. Both U1 and U2 in this circuit can source dc currents up to their full rating. The minimum input voltage, V_{IN} , is determined by the sum of the outputs, V_{OUT2} , plus the dropout voltage of U2.

A Negative Precision Reference without Precision Resistors

A negative reference can be easily generated by adding an A1 op amp and is configured as shown in Figure 39. $V_{OUT (FORCE)}$ and $V_{OUT (SENSE)}$ are at virtual ground and, therefore, the negative reference can be taken directly from the output of the op amp. The op amp must be dual-supply, low offset, and rail-to-rail if the negative supply voltage is close to the reference output.

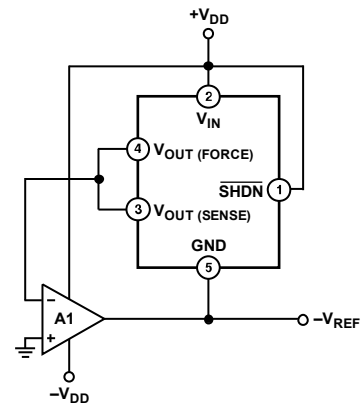


Figure 39. Negative Reference

General-Purpose Current Source

Many times in low power applications, the need arises for a precision current source that can operate on low supply voltages. The ADR391/ADR392/ADR395 can be configured as a precision current source. As shown in Figure 40, the circuit configuration is a floating current source with a grounded load. The reference output voltage is bootstrapped across R_{SET} , which sets the output current into the load. With this configuration, circuit precision is maintained for load currents in the range from the reference supply current, typically 90 μA to approximately 5 mA.

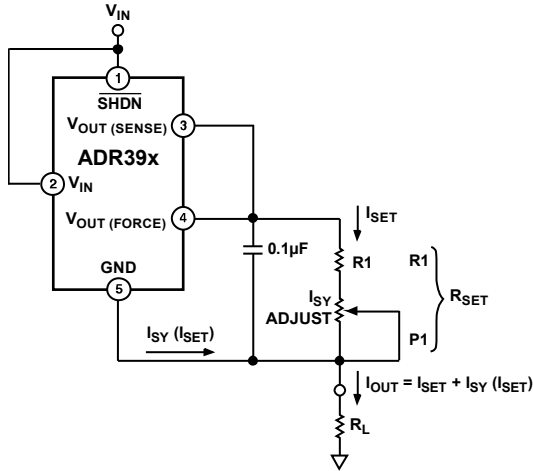


Figure 40. A General-Purpose Current Source

00419-044

High Power Performance with Current Limit

In some cases, the user may want higher output current delivered to a load and still achieve better than 0.5% accuracy out of the ADR39x. The accuracy for a reference is normally specified on the data sheet with no load. However, the output voltage changes with load current.

The circuit shown in Figure 41 provides high current without compromising the accuracy of the ADR39x. The series pass transistor, Q1, provides up to 1 A load current. The ADR39x delivers only the base drive to Q1 through the force pin. The sense pin of the ADR39x is a regulated output and is connected to the load.

The Transistor Q2 protects Q1 during short-circuit limit faults by robbing its base drive. The maximum current is

$$I_{LMAX} \approx 0.6 V/R_s \tag{6}$$

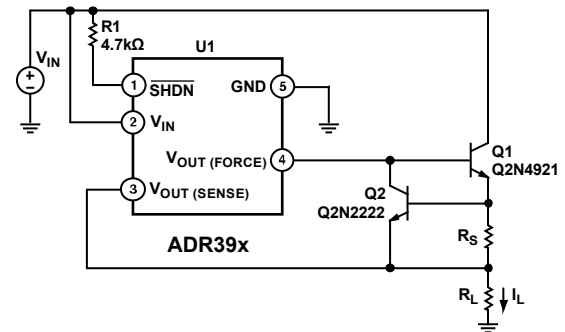


Figure 41. ADR39x for High Power Performance with Current Limit

00419-045

A similar circuit function can also be achieved with the Darlington transistor configuration, as shown in Figure 42.

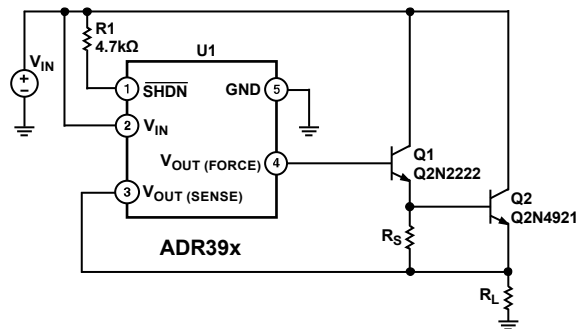


Figure 42. ADR39x for High Output Current with Darlington Drive Configuration

00419-D-046

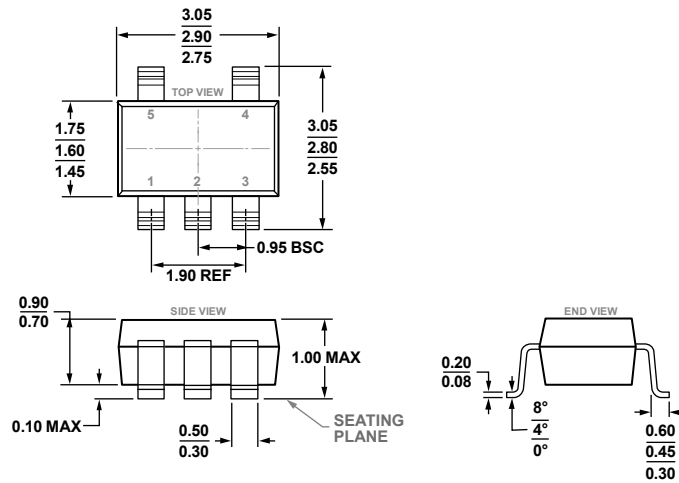
CAPACITORS***Input Capacitor***

Input capacitors are not required on the ADR39x. There is no limit for the value of the capacitor used on the input, but a 1 μF to 10 μF capacitor on the input improves transient response in applications where the supply suddenly changes. An additional 0.1 μF in parallel also helps reduce noise from the supply.

Output Capacitor

The ADR39x does not require output capacitors for stability under any load condition. An output capacitor, typically 0.1 μF , filters out any low level noise voltage and does not affect the operation of the part. On the other hand, the load transient response can improve with the addition of a 1 μF to 10 μF output capacitor in parallel. A capacitor here acts as a source of stored energy for a sudden increase in load current. The only parameter that degrades by adding an output capacitor is the turn-on time, and it depends on the size of the capacitor chosen.

OUTLINE DIMENSIONS



COMPLIANT TO JEDEC STANDARDS MO-193-AB

Figure 43. 5-Lead Thin Small Outline Transistor Package [TSOT] (UJ-5)

Dimensions shown in millimeters

ORDERING GUIDE

Model ^{1,2}	Output Voltage (V _o)	Initial Accuracy		Temperature Coefficient (ppm/°C)	Package Description	Package Option	Marking Code	Ordering Quantity	Temperature Range
		(mV)	(%)						
ADR391AUJZ-REEL7	2.5	±6	0.24	25	5-Lead TSOT	UJ-5	R1A	3000	-40°C to +125°C
ADR391AUJZ-R2	2.5	±6	0.24	25	5-Lead TSOT	UJ-5	R1A	250	-40°C to +125°C
ADR391BUJZ-REEL7	2.5	±4	0.16	9	5-Lead TSOT	UJ-5	R1B	3000	-40°C to +125°C
ADR392AUJZ-REEL7	4.096	±6	0.15	25	5-Lead TSOT	UJ-5	RCA	3000	-40°C to +125°C
ADR392BUJZ-REEL7	4.096	±5	0.12	9	5-Lead TSOT	UJ-5	RCB	3000	-40°C to +125°C
ADR392WBUJZ-R7	4.096	±5	0.12	9	5-Lead TSOT	UJ-5	RCB	3000	-40°C to +125°C
ADR395AUJZ-REEL7	5.0	±6	0.12	25	5-Lead TSOT	UJ-5	RDA	3000	-40°C to +125°C
ADR395BUJZ-REEL7	5.0	±5	0.10	9	5-Lead TSOT	UJ-5	RDB	3000	-40°C to +125°C

¹ Z = RoHS Compliant Part.

² The ADR392WBUJZ-R7 is an automotive grade model.

NOTES

NOTES

Mouser Electronics

Authorized Distributor

Click to View Pricing, Inventory, Delivery & Lifecycle Information:

[Analog Devices Inc.:](#)

[ADR391AUJZ-REEL7](#) [ADR391AUJZ-R2](#) [ADR391BUJZ-REEL7](#)