

Typical units

## FEATURES

- 7-36Vin (3.3 & 5Vout), 15-36Vin (12Vout)
- Fixed Output: 3.3 or 5V @ 1.5A or 12V @ 1.0A
- Vertical SIP or horizontal mount, small footprint, in an Encapsulated package
- “No heat sink” direct replacement for 3-terminal 78xx-series linear regulators
- High efficiency with no external components
- Short circuit protection
- Outstanding thermal derating performance
- UL/EN/IEC 60950-1, 2nd Edition safety approvals

## PRODUCT OVERVIEW

Encapsulated in a 0.47 x 0.69 inch (11.9 x 17.6 mm) vertical or horizontal package, the OKI-78SR-E series are non-isolated switching regulator (SR) DC-DC power converters for embedded applications. The fixed single output converters offer both tight regulation and high efficiency directly at the power usage site and are a direct plug-in replacement for TO-220 package 78xx series linear regulators. Typically, no extra outside components are required.

Three nominal output voltages are offered (3.3, 5 and 12 VDC), up to 1.5 Amp maximum output. Based on fixed-frequency buck switching topology, the high efficiency means very low heat and little electrical noise, requiring no external components. The 3.3 and 5Vout models have an ultra wide input range of 7 to 36 Volts DC and the 12Vout model has an input voltage range of 15 to 36V.

Protection features include short circuit current limit protection. The OKI-78SR-E is designed to meet all standards approvals. RoHS-6 (no lead) hazardous material compliance is specified as standard.

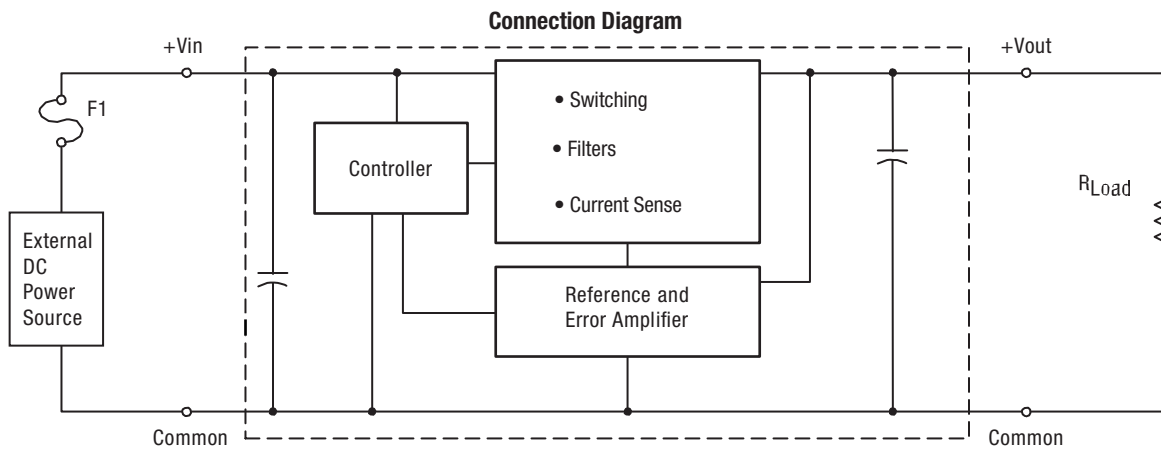


Figure 1. OKI-78SR-E

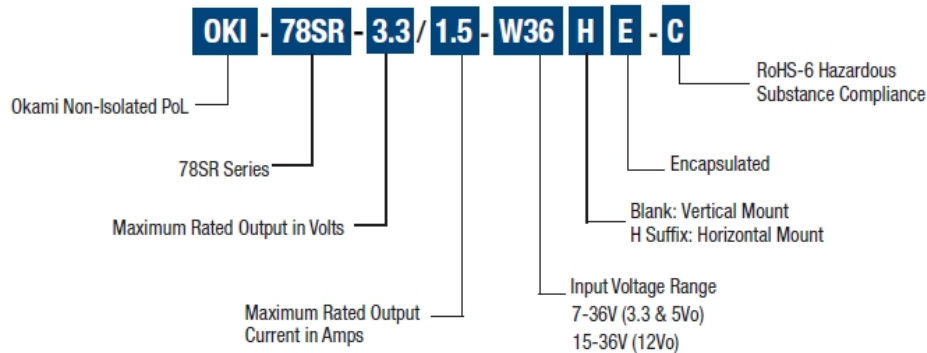
Note: Murata Power Solutions strongly recommends an external input fuse, F1. See specifications.



| FUNCTIONAL SPECIFICATIONS SUMMARY AND ORDERING GUIDE |                          |                             |               |             |                   |        |                              |               |                                |                                    |            |       |  |
|--|--------------------------|-----------------------------|---------------|-------------|-------------------|--------|------------------------------|---------------|--------------------------------|------------------------------------|------------|-------|--|
| Root Model   | Output                   |                             |               |             |                   |        | Input                        |               |                                |                                    | Efficiency |       | Package Inches (mm)                        |
|  | V <sub>OUT</sub> (Volts) | I <sub>OUT</sub> (Amps max) | Power (Watts) | R/N (mVp-p) | Regulation (Typ.) |        | V <sub>IN</sub> Nom. (Volts) | Range (Volts) | I <sub>IN</sub> , no load (mA) | I <sub>IN</sub> , full load (Amps) | Min.       | Typ.  |  |
|  |                          |                             |               | Max.        | Line              | Load   |                              |               |                                |                                    |            |       |  |
| OKI-78SR-3.3/1.5-W36E-C                              | 3.3                      | 1.5                         | 4.95          | 40          | ±0.30%            | ±0.40% | 12                           | 7-36          | 5                              | 0.48                               | 84%        | 85.5% | 0.47 x 0.40 x 0.69<br>(11.9 x 10.0 x 17.6) |
| OKI-78SR-5/1.5-W36E-C                                | 5                        | 1.5                         | 7.5           | 75          | ±0.30%            | ±0.40% | 12                           | 7-36          | 5                              | 0.69                               | 89%        | 90.5% | 0.47 x 0.40 x 0.69<br>(11.9 x 10.0 x 17.6) |
| OKI-78SR-12/1.0-W36E-C                               | 12                       | 1.0                         | 12            | 75          | ±0.25%            | ±0.25% | 24                           | 15-36         | 5                              | 0.53                               | 93.5%      | 95.3% | 0.47 x 0.40 x 0.69<br>(11.9 x 10.0 x 17.6) |

NOTE: All specifications are at nominal line voltage, V<sub>OUT</sub> = nominal and full load, +25°C with no external capacitor, unless otherwise noted.

**PART NUMBER STRUCTURE**



Note:  
Some model number combinations may not be available.  
Contact Murata Power Solutions.

**NOTE:** Please click [here](#) to view the data sheet for the OKI-78SR “Open-frame” series.

### FUNCTIONAL SPECIFICATIONS – OKI-78SR-3.3/1.5-W36E-C

| ABSOLUTE MAXIMUM RATINGS  | Conditions ①  | Minimum | Typical/Nominal | Maximum | Units                   |
|---|---|---------|-----------------|---------|-------------------------|
| Input Voltage, Continuous   | Full power operation  | 0       |                 | 36      | Vdc                     |
| Input Reverse Polarity  | None, install external fuse   |         | None            |         | Vdc                     |
| Output Power  |   | 0       |                 | 5.15    | W                       |
| Output Current  | Current-limited, no damage, short-circuit protected                       | 0       |                 | 1.5     | A                       |
| Storage Temperature Range   | Vin = Zero (no power)   | -55     |                 | 125     | °C                      |
| Absolute maximums are stress ratings. Exposure of devices to greater than any of these conditions may adversely affect long-term reliability. Proper operation under conditions other than those listed in the Performance/Functional Specifications Table is not implied or recommended. |   |         |                 |         |                         |
| INPUT   |   |         |                 |         |                         |
| Operating voltage range   |   | 7       | 12              | 36      | Vdc                     |
| Recommended External Fuse   | Fast blow   |         |                 | 2       | A                       |
| Reverse Polarity Protection ⑨   | None, install external fuse   |         | None            |         | Vdc                     |
| Internal Filter Type  |   |         | C-TYPE          |         |                         |
| Input current   |   |         |                 |         |                         |
| Full Load Conditions  | Vin = nominal   |         | 0.48            | 0.51    | A                       |
| Low Line  | Vin @ min   |         | 0.80            | 0.85    | A                       |
| Inrush Transient  |   |         | 0.16            |         | A <sup>2</sup> -Sec.    |
| Short Circuit Input Current   |   |         | 5               |         | mA                      |
| No Load Input Current   | Vin = nominal   |         | 5               | 10      | mA                      |
| Shut-Down Mode Input Current  |   |         | 1               |         | mA                      |
| Reflected (back) ripple current ②   | (Cin = 2 X 100uF, CBus = 1000uF, LBus = 1uH)                              |         | 50              |         | mA, pk-pk               |
| GENERAL and SAFETY  |   |         |                 |         |                         |
| Efficiency  | @ Vin nom, 3.3Vout  | 83.7    | 85.5            |         | %                       |
|   | @ Vin min, 3.3Vout  | 87.0    | 88.4            |         | %                       |
| Safety  | Certified to UL-60950-1, IEC/EN60950-1, 2nd Edition                       |         | Yes             |         |                         |
| Calculated MTBF ④   | Per Telcordia SR332, issue 1, class 3, ground fixed, Tambient=+25°C       |         | 78.7            |         | Hours x 10 <sup>6</sup> |
| DYNAMIC CHARACTERISTICS   |   |         |                 |         |                         |
| Fixed Switching Frequency   |   |         | 500             |         | kHz                     |
| Dynamic Load Response   | 50-100-50% load step, settling time to within ±2% of Vout di/dt = 1A/μSec |         | 25              | 50      | μSec                    |
| Dynamic Load Peak Deviation   | same as above   |         | 100             | 150     | mV                      |

### FUNCTIONAL SPECIFICATIONS – OKI-78SR-3.3/1.5-W36E-C (CONT.)

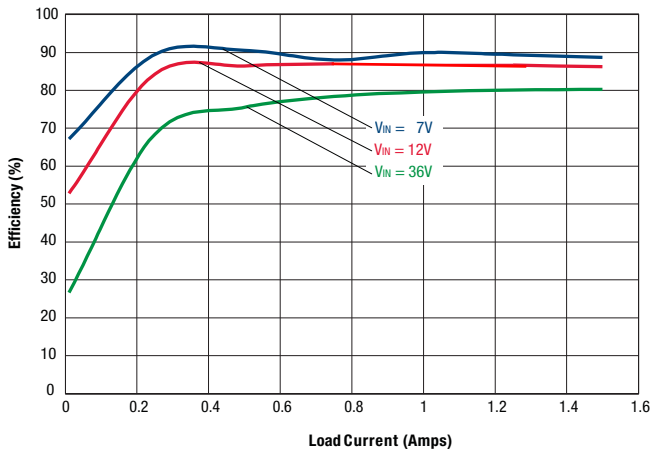
| OUTPUT   | Conditions  | Minimum | Typical/Nominal    | Maximum | Units         |
|--|---|---------|--------------------|---------|---------------|
| Total Output Power                                 |   | 0       | 4.95               | 5.15    | W             |
| <b>Voltage</b>                                     |   |         |                    |         |               |
| Nominal Output Voltage Range                       |   | 3.168   | 3.3                | 3.432   | Vdc           |
| Setting Accuracy                                   | At 50% load                                       | -4      |                    | 4       | % of Vnom.    |
| Output Voltage Overshoot - Startup:                |   |         |                    | 3       | %Vo nom       |
| <b>Current</b>                                     |   |         |                    |         |               |
| Output Current Range                               |   | 0       | 1.5                | 1.5     | A             |
| Minimum Load ⑩                                     |   |         | No minimum load    |         |               |
| Current Limit Inception                            | 98% of Vnom., after warmup @3.3Vout               | 2.50    | 3.50               | 5.00    | A             |
| <b>Short Circuit Mode ⑥⑪</b>                       |   |         |                    |         |               |
| Short Circuit Current                              | Hiccup technique, autorecovery within ±1% of Vout |         | 0.01               |         | A             |
| Short Circuit Duration (remove short for recovery) | Output shorted to ground, no damage               |         | Continuous         |         |               |
| Short circuit protection method ⑧                  | Current limiting                                  |         |                    |         |               |
| <b>Regulation ⑩</b>                                |   |         |                    |         |               |
| Total Regulation Band                              | Over all line, load and temp conditions           | -3      | Vo set             | 3       | % Vo set      |
| Line Regulation                                    | Vin=min. to max. Vout=nom.                        |         |                    | ±0.30   | %             |
| Load Regulation                                    | Iout=min. to max.                                 |         |                    | ±0.40   | %             |
| Ripple and Noise (20MHz BW) ⑪                      | 3.3Vo, 12Vin                                      |         | 30                 | 40      | mV pk-pk      |
| Temperature Coefficient                            | At all outputs                                    |         | ±0.02              |         | % of Vnom./°C |
| Maximum Capacitive Loading                         | low ESR; >0.001, <0.01 ohm                        |         | 300                |         | μF            |
| Maximum Capacitive Loading                         | 0.01 ohm  |         | 3300               |         | μF            |
| <b>MECHANICAL</b>                                  |   |         |                    |         |               |
| Outline Dimensions                                 |   |         | 0.47 x 0.69 x 0.40 |         | Inches        |
|  |   |         | 11.9 x 17.6 x 10.0 |         | mm            |
| Weight   |   |         | 0.16               |         | Ounces        |
|  |   |         | 4.5                |         | Grams         |
| Pin Material                                       |   |         | copper alloy       |         |               |
| Pin Finish   | Matte Tin   |         | 100-300            |         | μ"            |
|  | Nickel  |         | 75-150             |         | μ"            |
| <b>ENVIRONMENTAL</b>                               |   |         |                    |         |               |
| Operating Ambient Temperature Range ③              | see derating curves                               | -40     |                    | 85      | °C            |
| Storage Temperature                                | Vin = Zero (no power)                             | -55     |                    | 125     | °C            |
| RoHS Compliant                                     |   |         | RoHS-6             |         |               |

#### Specification Notes:

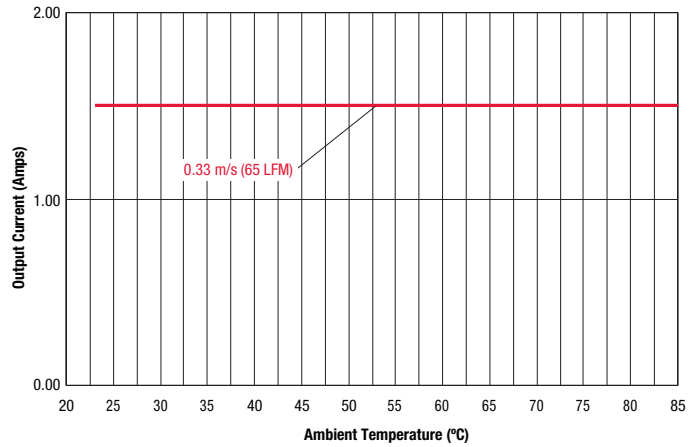
- All specifications are typical unless noted. General conditions for Specifications are +25 deg.C ambient temperature, Vin=nominal, Vout=nominal, full rated load. Adequate airflow must be supplied for extended testing under power. See Derating curves..
- Input Back Ripple Current is tested and specified over a 5 Hz to 20 MHz bandwidth. Input filtering is Cin=2 x 100 μF, Cbus=1000 μF, Lbus=1 μH. All caps are low ESR types.
- Note that Maximum Power Derating curves indicate an average current at nominal input voltage. At higher temperatures and/or lower airflow, the DC/DC converter will tolerate brief full current outputs if the total RMS current over time does not exceed the Derating curve. All Derating curves are presented near sea level altitude. Be aware of reduced power dissipation with increasing altitude.
- Mean Time Before Failure is calculated using the Telcordia (Belcore) SR-332 Method 1, Case 3, ground fixed conditions, Tpcboard=+25 °C, full output load, natural air convection.
- The input and output are not isolated. They share a single COMMON power and signal return.
- Short circuit shutdown begins when the output voltage degrades approximately 2% from the selected setting. Output current limit and short circuit protection are non-latching. When the overcurrent fault is removed, the converter will immediately recover.
- The output is not intended to sink appreciable reverse current.
- "Hiccup" overcurrent operation repeatedly attempts to restart the converter with a brief, full-current output. If the overcurrent condition still exists, the restart current will be removed and then tried again. This short current pulse prevents overheating and damaging the converter.
- Input Fusing: If reverse polarity is accidentally applied to the input, to ensure reverse input protection, always connect an external input fast-blow fuse in series with the +Vin input. Use approximately twice the full input current rating with nominal input voltage.
- Regulation specifications describe the deviation as the line input voltage or output load current is varied from a nominal midpoint value to either extreme.
- Output noise may be further reduced by installing an external filter. Do not exceed the maximum output capacitance. At zero output current and no external capacitor, the output may contain low frequency components which exceed the ripple specification. The output may be operated indefinitely with no load.

**PERFORMANCE DATA – OKI-78SR-3.3/1.5-W36E-C**

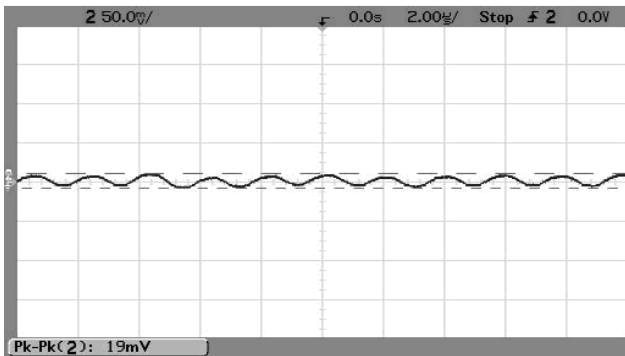
Efficiency vs. Line Voltage and Load Current @ +25°C. (Vout = Vnom.)



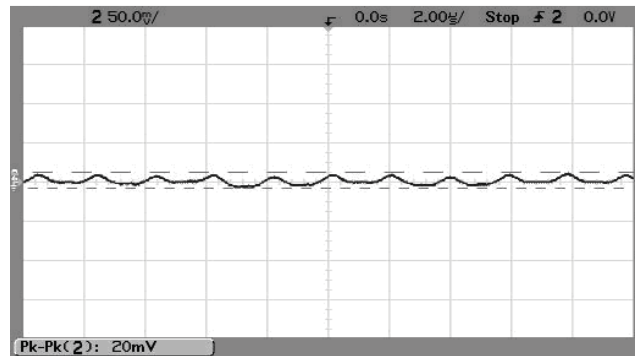
Maximum Current Temperature Derating at sea level (Vin=7V to 36V)



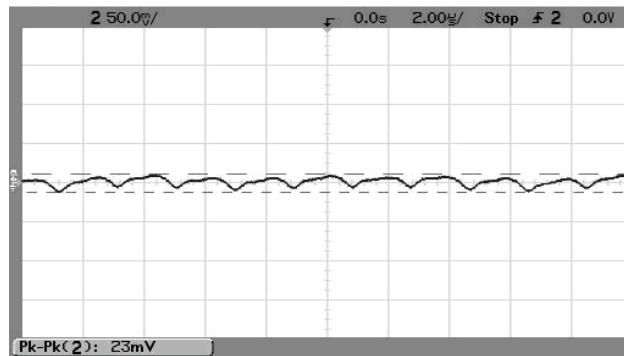
Output Ripple and Noise (Vin=7V, Vout=nominal, Iout=1.5A, Cload=0, Ta=+25°C., ScopeBW=100MHz)



Output Ripple and Noise (Vin=12V, Vout=nominal, Iout=1.5A, Cload=0, Ta=+25°C., ScopeBW=100MHz)

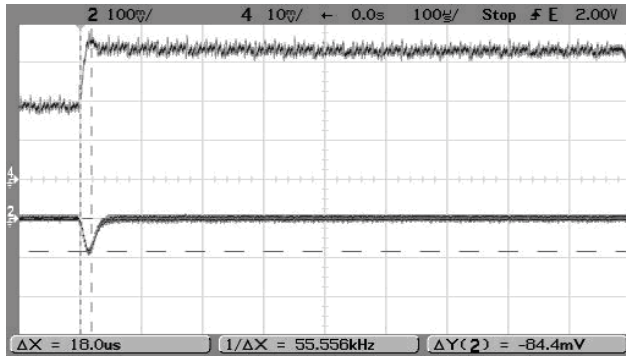


Output Ripple and Noise (Vin=36V, Vout=nominal, Iout=1.5A, Cload=0, Ta=+25°C., ScopeBW=100MHz)

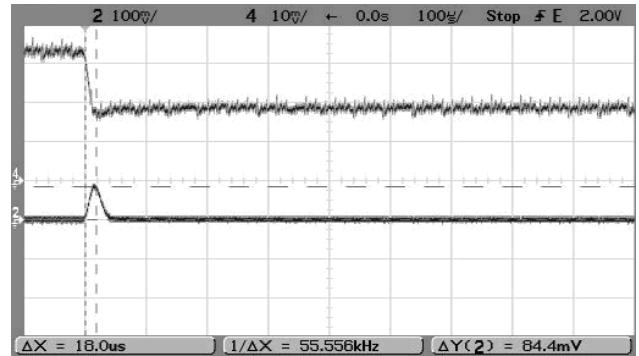


**PERFORMANCE DATA – OKI-78SR-3.3/1.5-W36E-C**

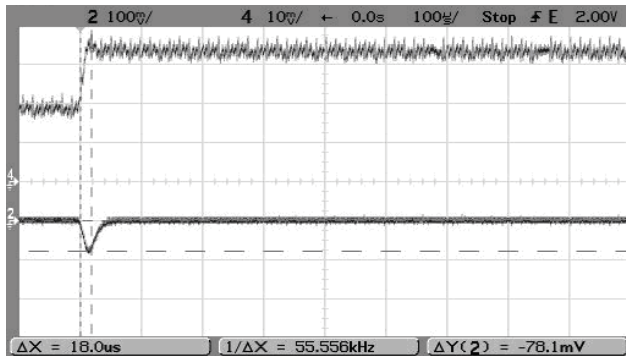
Step Load Transient Response ( $V_{in}=7V$ ,  $V_{out}=\text{nominal}$ ,  $\text{Cload}=0$ ,  $I_{out}=0.75A$  to  $1.5A$ ,  $\text{Slew}=1A/\mu S$ ,  $T_a=+25^\circ C$ .) Trace 2= $V_{out}$ , 100 mV/div. Trace 4= $I_{out}$ , 0.5A/div



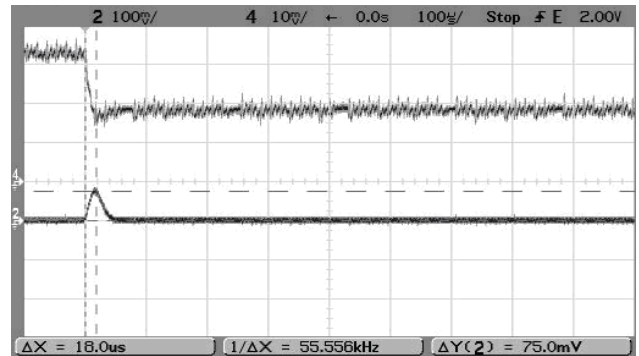
Step Load Transient Response ( $V_{in}=7V$ ,  $V_{out}=\text{nominal}$ ,  $\text{Cload}=0$ ,  $I_{out}=1.5A$  to  $0.75A$ ,  $\text{Slew}=1A/\mu S$ ,  $T_a=+25^\circ C$ .) Trace 2= $V_{out}$ , 100 mV/div. Trace 4= $I_{out}$ , 0.5A/div.



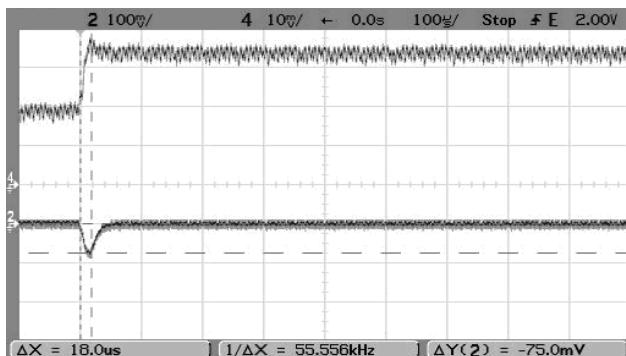
Step Load Transient Response ( $V_{in}=12V$ ,  $V_{out}=\text{nominal}$ ,  $\text{Cload}=0$ ,  $I_{out}=0.75A$  to  $1.5A$ ,  $\text{Slew}=1A/\mu S$ ,  $T_a=+25^\circ C$ .) Trace 2= $V_{out}$ , 100 mV/div. Trace 4= $I_{out}$ , 0.5A/div.



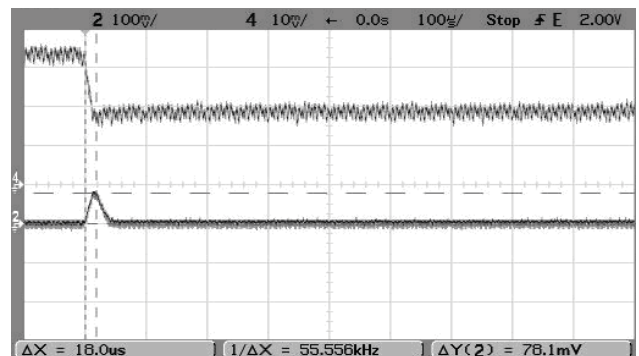
Step Load Transient Response ( $V_{in}=12V$ ,  $V_{out}=\text{nominal}$ ,  $\text{Cload}=0$ ,  $I_{out}=1.5A$  to  $0.75A$ ,  $\text{Slew}=1A/\mu S$ ,  $T_a=+25^\circ C$ .) Trace 2= $V_{out}$ , 100 mV/div. Trace 4= $I_{out}$ , 0.5A/div.



Step Load Transient Response ( $V_{in}=36V$ ,  $V_{out}=\text{nominal}$ ,  $\text{Cload}=0$ ,  $I_{out}=0.75A$  to  $1.5A$ ,  $\text{Slew}=1A/\mu S$ ,  $T_a=+25^\circ C$ .) Trace 2= $V_{out}$ , 100 mV/div. Trace 4= $I_{out}$ , 0.5A/div.



Step Load Transient Response ( $V_{in}=36V$ ,  $V_{out}=\text{nominal}$ ,  $\text{Cload}=0$ ,  $I_{out}=1.5A$  to  $0.75A$ ,  $\text{Slew}=1A/\mu S$ ,  $T_a=+25^\circ C$ .) Trace 2= $V_{out}$ , 100 mV/div. Trace 4= $I_{out}$ , 0.5A/div.



### FUNCTIONAL SPECIFICATIONS – OKI-78SR-5/1.5-W36E-C

| ABSOLUTE MAXIMUM RATINGS  | Conditions ①  | Minimum | Typical/Nominal | Maximum | Units                   |
|---|---|---------|-----------------|---------|-------------------------|
| Input Voltage, Continuous   | Full power operation  | 0       |                 | 36      | Vdc                     |
| Input Reverse Polarity  | None, install external fuse   |         | None            |         | Vdc                     |
| Output Power  |   | 0       |                 | 7.80    | W                       |
| Output Current  | Current-limited, no damage, short-circuit protected                       | 0       |                 | 1.5     | A                       |
| Storage Temperature Range   | Vin = Zero (no power)   | -55     |                 | 125     | °C                      |
| Absolute maximums are stress ratings. Exposure of devices to greater than any of these conditions may adversely affect long-term reliability. Proper operation under conditions other than those listed in the Performance/Functional Specifications Table is not implied or recommended. |   |         |                 |         |                         |
| <b>INPUT</b>  |   |         |                 |         |                         |
| Operating voltage range   |   | 7       | 12              | 36      | Vdc                     |
| Recommended External Fuse   | Fast blow   |         |                 | 2       | A                       |
| Reverse Polarity Protection ⑨   | None, install external fuse   |         | None            |         | Vdc                     |
| Internal Filter Type  |   |         | C-TYPE          |         |                         |
| <b>Input current</b>  |   |         |                 |         |                         |
| Full Load Conditions  | Vin = nominal   |         | 0.69            | 0.73    | A                       |
| Low Line  | Vin @ min   |         | 1.16            | 1.22    | A                       |
| Inrush Transient  |   |         | 0.16            |         | A <sup>2</sup> -Sec.    |
| Short Circuit Input Current   |   |         | 5               |         | mA                      |
| No Load Input Current   | Vin = nominal   |         | 5               | 10      | mA                      |
| Shut-Down Mode Input Current  |   |         | 1               |         | mA                      |
| Reflected (back) ripple current ②   | (Cin = 2 X 100uF, CBus = 1000uF, LBus = 1uH)                              |         | 15              |         | mA, pk-pk               |
| <b>GENERAL and SAFETY</b>   |   |         |                 |         |                         |
| Efficiency  | @ Vin nom, 5Vout  | 89.0    | 90.5            |         | %                       |
|   | @ Vin min, 5Vout  | 91.4    | 92.5            |         | %                       |
| Safety  | Certified to UL-60950-1, IEC/EN60950-1, 2nd Edition                       |         | Yes             |         |                         |
| Calculated MTBF ④   | Per Telcordia SR332, issue 1, class 3, ground fixed, Tambient=+25°C       |         | 78.7            |         | Hours x 10 <sup>6</sup> |
| <b>DYNAMIC CHARACTERISTICS</b>  |   |         |                 |         |                         |
| Fixed Switching Frequency   |   |         | 500             |         | kHz                     |
| Dynamic Load Response   | 50-100-50% load step, settling time to within ±2% of Vout di/dt = 1A/μSec |         | 50              | 75      | μSec                    |
| Dynamic Load Peak Deviation   | same as above   |         | 150             | 200     | mV                      |

### FUNCTIONAL SPECIFICATIONS – OKI-78SR-5/1.5-W36E-C (CONT.)

| OUTPUT   | Conditions  | Minimum | Typical/Nominal    | Maximum | Units         |
|--|---|---------|--------------------|---------|---------------|
| Total Output Power                                 |   | 0       | 7.5                | 7.8     | W             |
| <b>Voltage</b>                                     |   |         |                    |         |               |
| Nominal Output Voltage Range                       |   | 4.8     | 5.0                | 5.2     | Vdc           |
| Setting Accuracy                                   | At 50% load                                       | -4      |                    | 4       | % of Vnom.    |
| Output Voltage Overshoot - Startup:                |   |         |                    | 3       | %Vo nom       |
| <b>Current</b>                                     |   |         |                    |         |               |
| Output Current Range                               |   | 0       | 1.5                | 1.5     | A             |
| Minimum Load ⑪                                     |   |         | No minimum load    |         |               |
| Current Limit Inception                            | 98% of Vnom., after warmup @5Vout                 | 2.50    | 3.50               | 5.00    | A             |
| <b>Short Circuit Mode ⑥⑪</b>                       |   |         |                    |         |               |
| Short Circuit Current                              | Hiccup technique, autorecovery within ±1% of Vout |         | 0.01               |         | A             |
| Short Circuit Duration (remove short for recovery) | Output shorted to ground, no damage               |         | Continuous         |         |               |
| Short circuit protection method ⑧                  | Current limiting                                  |         |                    |         |               |
| <b>Regulation ⑩</b>                                |   |         |                    |         |               |
| Total Regulation Band                              | Over all line, load and temp conditions           | -3      | Vo set             | 3       | % Vo set      |
| Line Regulation                                    | Vin=min. to max. Vout=nom.                        |         |                    | ±0.30   | %             |
| Load Regulation                                    | Iout=min. to max.                                 |         |                    | ±0.40   | %             |
| Ripple and Noise (20MHz BW) ⑪                      | 5Vo, 12Vin  |         | 50                 | 75      | mV pk-pk      |
| Temperature Coefficient                            | At all outputs                                    |         | ±0.02              |         | % of Vnom./°C |
| Maximum Capacitive Loading                         | low ESR; >0.001, <0.01 ohm                        |         | 300                |         | µF            |
| Maximum Capacitive Loading                         | 0.01 ohm  |         | 3300               |         | µF            |
| <b>MECHANICAL</b>                                  |   |         |                    |         |               |
| Outline Dimensions                                 |   |         | 0.47 x 0.69 x 0.40 |         | Inches        |
|  |   |         | 11.9 x 17.6 x 10.0 |         | mm            |
| Weight   |   |         | 0.16               |         | Ounces        |
|  |   |         | 4.5                |         | Grams         |
| Pin Material                                       |   |         | copper alloy       |         |               |
| Pin Finish   | Matte Tin   |         | 100-300            |         | µ"            |
|  | Nickel  |         | 75-150             |         | µ"            |
| <b>ENVIRONMENTAL</b>                               |   |         |                    |         |               |
| Operating Ambient Temperature Range ③              | see derating curves                               | -40     |                    | 85      | °C            |
| Storage Temperature                                | Vin = Zero (no power)                             | -55     |                    | 125     | °C            |
| RoHS Compliant                                     |   |         | RoHS-6             |         |               |

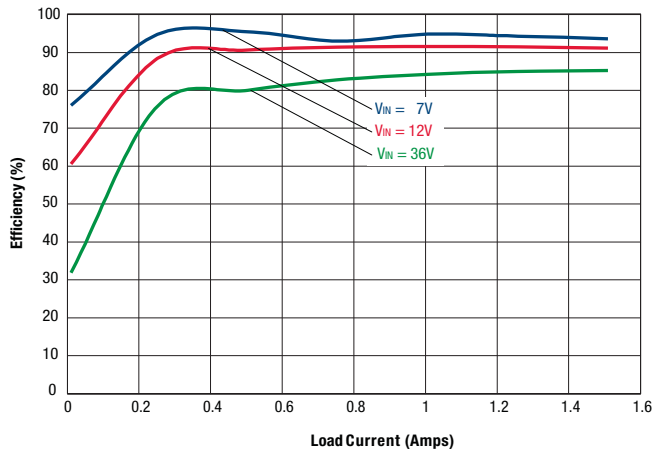
#### Specification Notes:

- All specifications are typical unless noted. General conditions for Specifications are +25 deg.C ambient temperature, Vin=nominal, Vout=nominal, full rated load. Adequate airflow must be supplied for extended testing under power. See Derating curves..
- Input Back Ripple Current is tested and specified over a 5 Hz to 20 MHz bandwidth. Input filtering is Cin=2 x 100 µF, Cbus=1000 µF, Lbus=1 µH. All caps are low ESR types.
- Note that Maximum Power Derating curves indicate an average current at nominal input voltage. At higher temperatures and/or lower airflow, the DC/DC converter will tolerate brief full current outputs if the total RMS current over time does not exceed the Derating curve. All Derating curves are presented near sea level altitude. Be aware of reduced power dissipation with increasing altitude.
- Mean Time Before Failure is calculated using the Telcordia (Belcore) SR-332 Method 1, Case 3, ground fixed conditions, Tpcboard=+25 °C, full output load, natural air convection.
- The input and output are not isolated. They share a single COMMON power and signal return.
- Short circuit shutdown begins when the output voltage degrades approximately 2% from the selected setting. Output current limit and short circuit protection are non-latching. When the overcurrent fault is removed, the converter will immediately recover.
- The output is not intended to sink appreciable reverse current.
- "Hiccup" overcurrent operation repeatedly attempts to restart the converter with a brief, full-current output. If the overcurrent condition still exists, the restart current will be removed and then tried again. This short current pulse prevents overheating and damaging the converter.
- Input Fusing: If reverse polarity is accidentally applied to the input, to ensure reverse input protection, always connect an external input fast-blow fuse in series with the +Vin input. Use approximately twice the full input current rating with nominal input voltage.
- Regulation specifications describe the deviation as the line input voltage or output load current is varied from a nominal midpoint value to either extreme.
- Output noise may be further reduced by installing an external filter. Do not exceed the maximum output capacitance. At zero output current and no external capacitor, the output may contain low frequency components which exceed the ripple specification. The output may be operated indefinitely with no load.

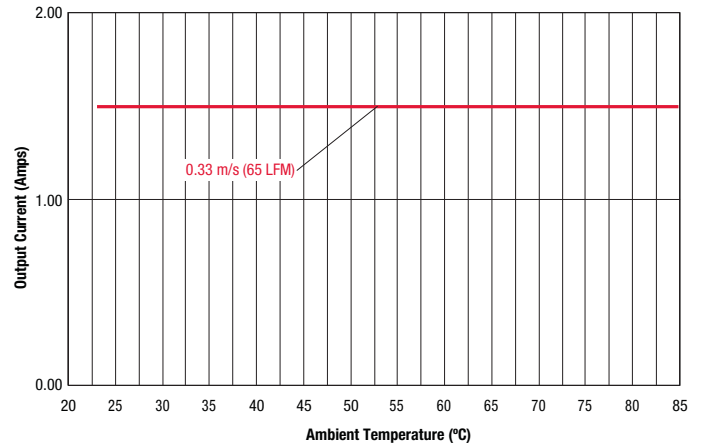


**PERFORMANCE DATA – OKI-78SR-5/1.5-W36E-C**

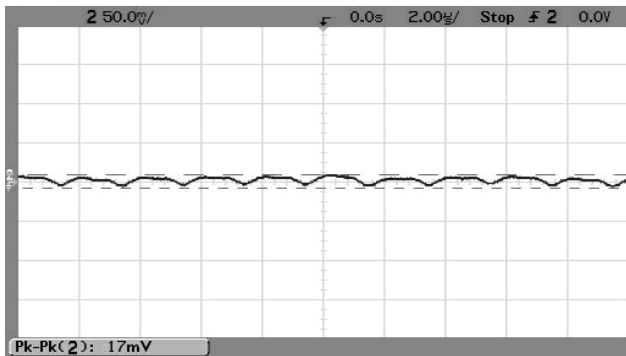
Efficiency vs. Line Voltage and Load Current @ +25°C. (Vout = Vnom.)



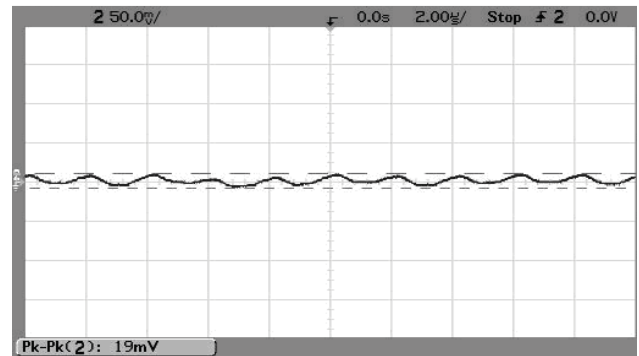
Maximum Current Temperature Derating at sea level (Vin=7V to 36V)



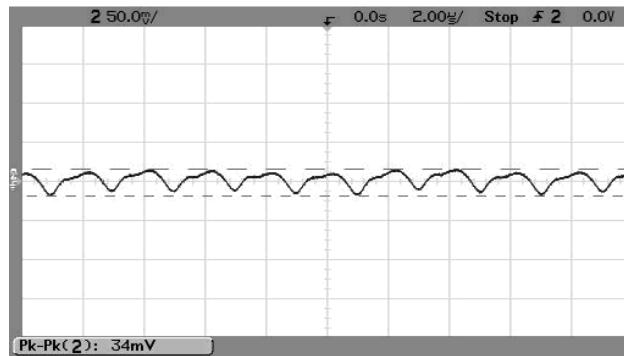
Output Ripple and Noise (Vin=7V, Vout=nominal, Iout=1.5A, Cload=0, Ta=+25°C., ScopeBW=100MHz)



Output Ripple and Noise (Vin=12V, Vout=nominal, Iout=1.5A, Cload=0, Ta=+25°C., ScopeBW=100MHz)

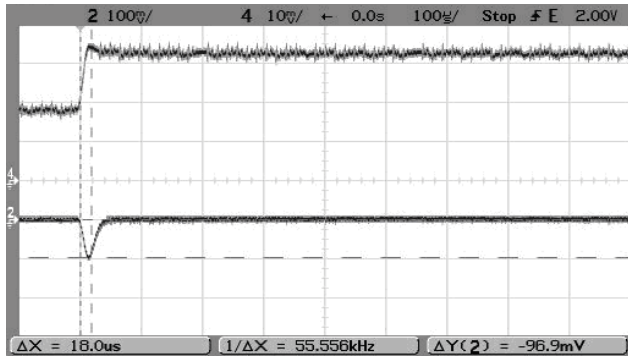


Output Ripple and Noise (Vin=36V, Vout=nominal, Iout=1.5A, Cload=0, Ta=+25°C., ScopeBW=100MHz)

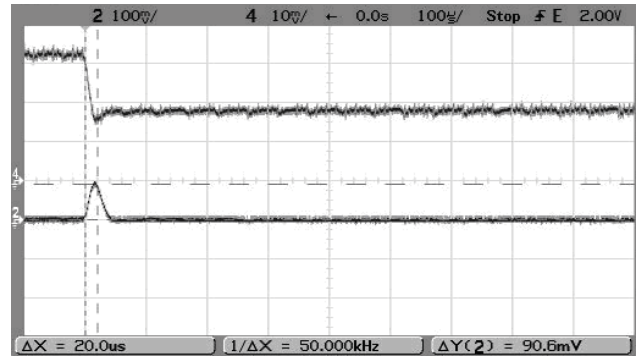


**PERFORMANCE DATA – OKI-78SR-5/1.5-W36E-C**

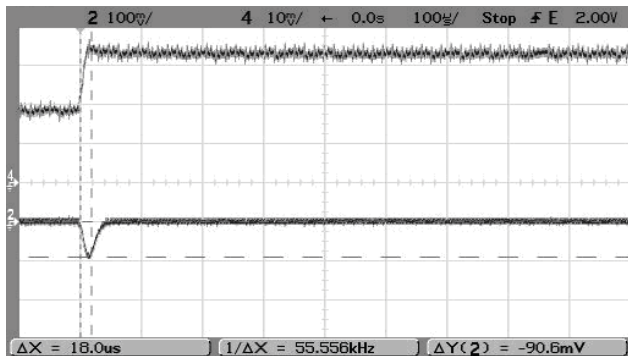
Step Load Transient Response ( $V_{in}=7V$ ,  $V_{out}=\text{nominal}$ ,  $\text{Clad}=0$ ,  $I_{out}=0.75A$  to  $1.5A$ ,  $\text{Slew}=1A/\mu\text{s}$ ,  $T_a=+25^\circ\text{C}$ .) Trace 2= $V_{out}$ , 100 mV/div. Trace 4= $I_{out}$ , 0.5A/div.



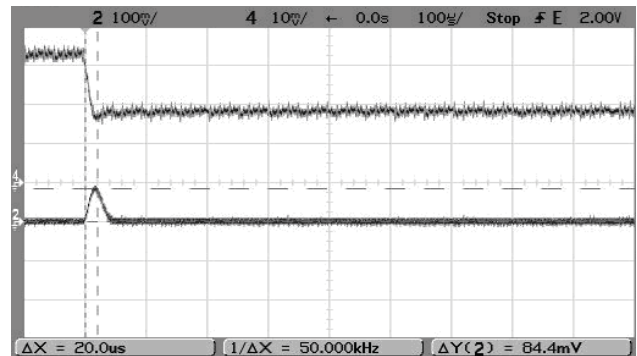
Step Load Transient Response ( $V_{in}=7V$ ,  $V_{out}=\text{nominal}$ ,  $\text{Clad}=0$ ,  $I_{out}=1.5A$  to  $0.75A$ ,  $\text{Slew}=1A/\mu\text{s}$ ,  $T_a=+25^\circ\text{C}$ .) Trace 2= $V_{out}$ , 100 mV/div. Trace 4= $I_{out}$ , 0.5A/div.



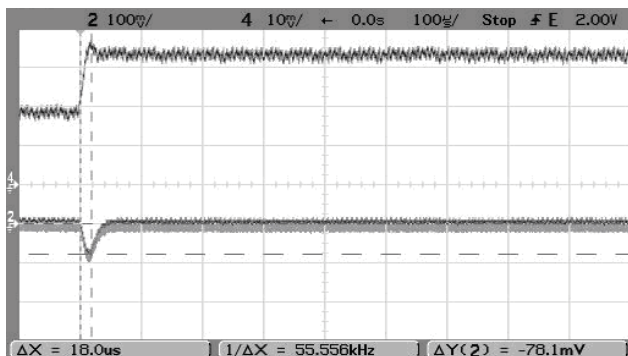
Step Load Transient Response ( $V_{in}=12V$ ,  $V_{out}=\text{nominal}$ ,  $\text{Clad}=0$ ,  $I_{out}=0.75A$  to  $1.5A$ ,  $\text{Slew}=1A/\mu\text{s}$ ,  $T_a=+25^\circ\text{C}$ .) Trace 2= $V_{out}$ , 100 mV/div. Trace 4= $I_{out}$ , 0.5A/div.



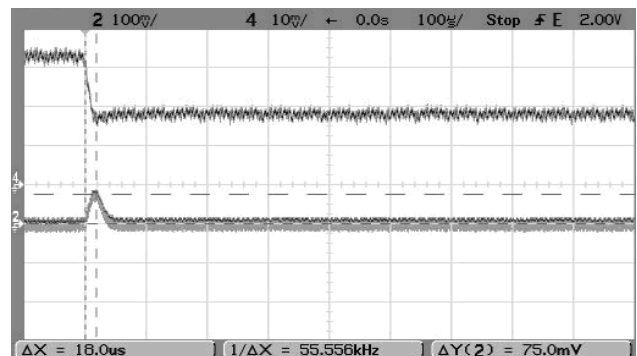
Step Load Transient Response ( $V_{in}=12V$ ,  $V_{out}=\text{nominal}$ ,  $\text{Clad}=0$ ,  $I_{out}=1.5A$  to  $0.75A$ ,  $\text{Slew}=1A/\mu\text{s}$ ,  $T_a=+25^\circ\text{C}$ .) Trace 2= $V_{out}$ , 100 mV/div. Trace 4= $I_{out}$ , 0.5A/div.



Step Load Transient Response ( $V_{in}=36V$ ,  $V_{out}=\text{nominal}$ ,  $\text{Clad}=0$ ,  $I_{out}=0.75A$  to  $1.5A$ ,  $\text{Slew}=1A/\mu\text{s}$ ,  $T_a=+25^\circ\text{C}$ .) Trace 2= $V_{out}$ , 100 mV/div. Trace 4= $I_{out}$ , 0.5A/div.



Step Load Transient Response ( $V_{in}=36V$ ,  $V_{out}=\text{nominal}$ ,  $\text{Clad}=0$ ,  $I_{out}=1.5A$  to  $0.75A$ ,  $\text{Slew}=1A/\mu\text{s}$ ,  $T_a=+25^\circ\text{C}$ .) Trace 2= $V_{out}$ , 100 mV/div. Trace 4= $I_{out}$ , 0.5A/div.



### FUNCTIONAL SPECIFICATIONS – OKI-78SR-12/1.0-W36E-C

| ABSOLUTE MAXIMUM RATINGS  | Conditions ①  | Minimum | Typical/Nominal | Maximum | Units                   |
|---|---|---------|-----------------|---------|-------------------------|
| Input Voltage, Continuous   | Full power operation  | 0       |                 | 36      | Vdc                     |
| Input Reverse Polarity  | None, install external fuse   |         | None            |         | Vdc                     |
| Output Power  |   | 0       |                 | 5.15    | W                       |
| Output Current  | Current-limited, no damage, short-circuit protected                       | 0       |                 | 1.0     | A                       |
| Storage Temperature Range   | Vin = Zero (no power)   | -55     |                 | 125     | °C                      |
| Absolute maximums are stress ratings. Exposure of devices to greater than any of these conditions may adversely affect long-term reliability. Proper operation under conditions other than those listed in the Performance/Functional Specifications Table is not implied or recommended. |   |         |                 |         |                         |
| <b>INPUT</b>  |   |         |                 |         |                         |
| Operating voltage range   |   | 15      | 24              | 36      | Vdc                     |
| Recommended External Fuse   | Fast blow   |         |                 | 2       | A                       |
| Reverse Polarity Protection ⑨   | None, install external fuse   |         | None            |         | Vdc                     |
| Internal Filter Type  |   |         | C-TYPE          |         |                         |
| <b>Input current</b>  |   |         |                 |         |                         |
| Full Load Conditions  | Vin = nominal   |         | 0.53            | 0.56    | A                       |
| Low Line  | Vin @ min   |         | 0.84            | 0.87    | A                       |
| Inrush Transient  |   |         | 0.16            |         | A <sup>2</sup> -Sec.    |
| Short Circuit Input Current   |   |         | 5               |         | mA                      |
| No Load Input Current   | Vin = nominal   |         | 5               | 10      | mA                      |
| Shut-Down Mode Input Current  |   |         | 1               |         | mA                      |
| Reflected (back) ripple current ②   | (Cin = 2 X 100uF, CBus = 1000uF, LBus = 1uH)                              |         | 30              |         | mA, pk-pk               |
| <b>GENERAL and SAFETY</b>   |   |         |                 |         |                         |
| Efficiency  | @ Vin nom, 12Vout   | 93.5    | 95.3            |         | %                       |
|   | @ Vin min, 12Vout   | 95.5    | 97.0            |         | %                       |
| Safety  | Certified to UL-60950-1, IEC/EN60950-1, 2nd Edition                       |         | Yes             |         |                         |
| Calculated MTBF ④   | Per Telcordia SR332, issue 1, class 3, ground fixed, Tambient=+25°C       |         | 25.9            |         | Hours x 10 <sup>6</sup> |
| <b>DYNAMIC CHARACTERISTICS</b>  |   |         |                 |         |                         |
| Fixed Switching Frequency   |   |         | 500             |         | kHz                     |
| Dynamic Load Response   | 50-100-50% load step, settling time to within ±2% of Vout di/dt = 1A/μSec |         | 50              | 75      | μSec                    |
| Dynamic Load Peak Deviation   | same as above   |         | 165             | 225     | mV                      |

### FUNCTIONAL SPECIFICATIONS – OKI-78SR-12/1.0-W36E-C (CONT.)

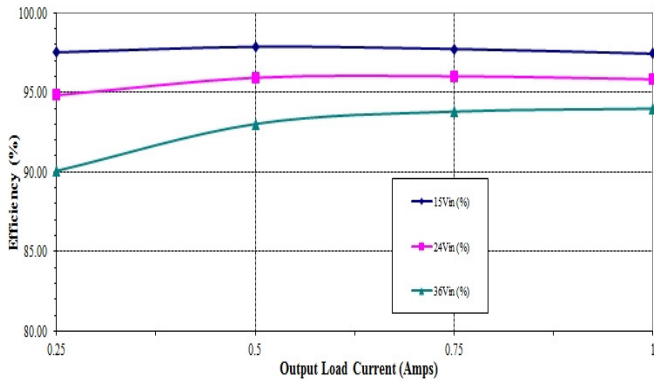
| OUTPUT   | Conditions  | Minimum | Typical/Nominal    | Maximum | Units         |
|--|---|---------|--------------------|---------|---------------|
| Total Output Power                                 |   | 0       | 12.0               | 12.5    | W             |
| <b>Voltage</b>                                     |   |         |                    |         |               |
| Nominal Output Voltage Range                       |   | 11.52   | 12.0               | 12.48   | Vdc           |
| Setting Accuracy                                   | At 50% load                                       | -4      |                    | 4       | % of Vnom.    |
| Output Voltage Overshoot - Startup:                |   |         |                    | 3       | %Vo nom       |
| <b>Current</b>                                     |   |         |                    |         |               |
| Output Current Range                               |   | 0       | 1.0                | 1.0     | A             |
| Minimum Load ⑪                                     |   |         | No minimum load    |         |               |
| Current Limit Inception                            | 98% of Vnom., after warmup @12Vout                | 2.50    | 3.50               | 5.00    | A             |
| <b>Short Circuit Mode ⑥⑩</b>                       |   |         |                    |         |               |
| Short Circuit Current                              | Hiccup technique, autorecovery within ±1% of Vout |         | 0.01               |         | A             |
| Short Circuit Duration (remove short for recovery) | Output shorted to ground, no damage               |         | Continuous         |         |               |
| Short circuit protection method ⑧                  | Current limiting                                  |         |                    |         |               |
| <b>Regulation ⑩</b>                                |   |         |                    |         |               |
| Total Regulation Band                              | Over all line, load and temp conditions           | -3      | Vo set             | 3       | % Vo set      |
| Line Regulation                                    | Vin=min. to max. Vout=nom.                        |         |                    | ±0.25   | %             |
| Load Regulation                                    | Iout=min. to max.                                 |         |                    | ±0.25   | %             |
| Ripple and Noise (20MHz BW) ⑪                      | 12Vo, 24Vin                                       |         | 50                 | 75      | mV pk-pk      |
| Temperature Coefficient                            | At all outputs                                    |         | ±0.02              |         | % of Vnom./°C |
| Maximum Capacitive Loading                         | low ESR; >0.001, <0.01 ohm                        |         | 300                |         | µF            |
| Maximum Capacitive Loading                         | 0.01 ohm  |         | 3300               |         | µF            |
| <b>MECHANICAL</b>                                  |   |         |                    |         |               |
| Outline Dimensions                                 |   |         | 0.47 x 0.69 x 0.40 |         | Inches        |
|  |   |         | 11.9 x 17.6 x 10.0 |         | mm            |
| Weight   |   |         | 0.16               |         | Ounces        |
|  |   |         | 4.5                |         | Grams         |
| Pin Material                                       |   |         | copper alloy       |         |               |
| Pin Finish   | Matte Tin   |         | 100-300            |         | µ"            |
|  | Nickel  |         | 75-150             |         | µ"            |
| <b>ENVIRONMENTAL</b>                               |   |         |                    |         |               |
| Operating Ambient Temperature Range ③              | see derating curves                               | -40     |                    | 85      | °C            |
| Storage Temperature                                | Vin = Zero (no power)                             | -55     |                    | 125     | °C            |
| RoHS Compliant                                     |   |         | RoHS-6             |         |               |

#### Specification Notes:

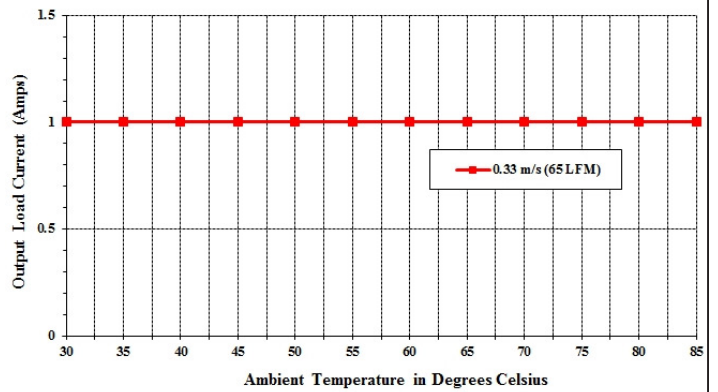
- All specifications are typical unless noted. General conditions for Specifications are +25 deg.C ambient temperature, Vin=nominal, Vout=nominal, full rated load. Adequate airflow must be supplied for extended testing under power. See Derating curves..
- Input Back Ripple Current is tested and specified over a 5 Hz to 20 MHz bandwidth. Input filtering is Cin=2 x 100 µF, Cbus=1000 µF, Lbus=1 µH. All caps are low ESR types.
- Note that Maximum Power Derating curves indicate an average current at nominal input voltage. At higher temperatures and/or lower airflow, the DC/DC converter will tolerate brief full current outputs if the total RMS current over time does not exceed the Derating curve. All Derating curves are presented near sea level altitude. Be aware of reduced power dissipation with increasing altitude.
- Mean Time Before Failure is calculated using the Telcordia (Belcore) SR-332 Method 1, Issue 2, Class 3, ground benign, controlled conditions, Tpcboard=+25 °C, full output load, natural air convection.
- The input and output are not isolated. They share a single COMMON power and signal return.
- Short circuit shutdown begins when the output voltage degrades approximately 2% from the selected setting. Output current limit and short circuit protection are non-latching. When the overcurrent fault is removed, the converter will immediately recover.
- The output is not intended to sink appreciable reverse current.
- "Hiccup" overcurrent operation repeatedly attempts to restart the converter with a brief, full-current output. If the overcurrent condition still exists, the restart current will be removed and then tried again. This short current pulse prevents overheating and damaging the converter.
- Input Fusing: If reverse polarity is accidentally applied to the input, to ensure reverse input protection, always connect an external input fast-blow fuse in series with the +Vin input. Use approximately twice the full input current rating with nominal input voltage.
- Regulation specifications describe the deviation as the line input voltage or output load current is varied from a nominal midpoint value to either extreme.
- Output noise may be further reduced by installing an external filter. Do not exceed the maximum output capacitance. At zero output current and no external capacitor, the output may contain low frequency components which exceed the ripple specification. The output may be operated indefinitely with no load.

**PERFORMANCE DATA – OKI-78SR-12/1.0-W36E-C**

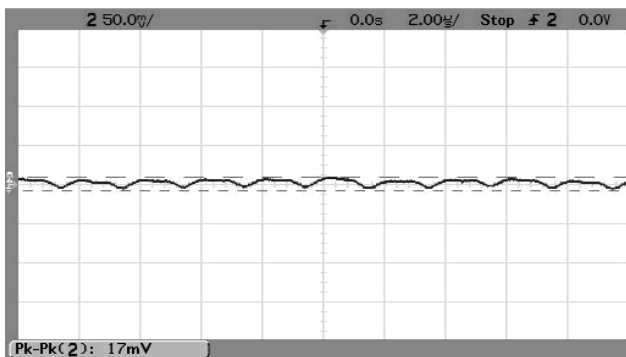
Efficiency vs. Line Voltage and Load Current @ +25°C. (Vout = Vnom.)



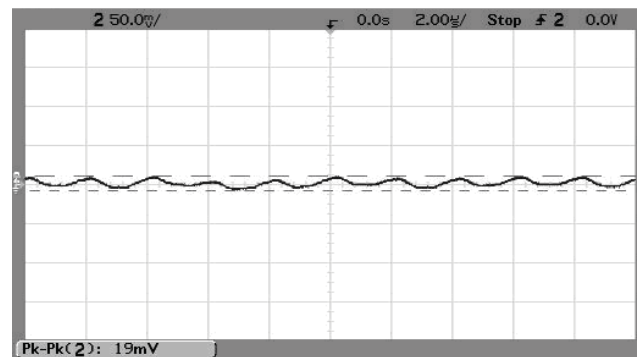
Maximum Current Temperature Derating at sea level (Vin=15V to 36V)



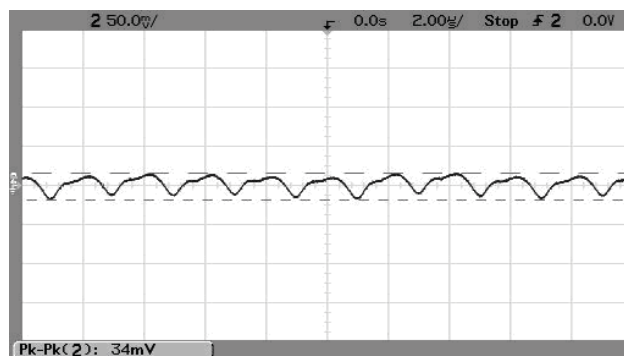
Output Ripple and Noise (Vin=15V, Vout=nominal, Iout=1.0A, Cload=0, Ta=+25°C., ScopeBW=100MHz)



Output Ripple and Noise (Vin=24V, Vout=nominal, Iout=1.0A, Cload=0, Ta=+25°C., ScopeBW=100MHz)

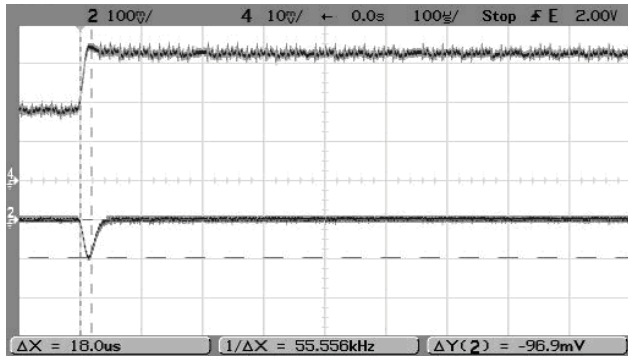


Output Ripple and Noise (Vin=36V, Vout=nominal, Iout=1.0A, Cload=0, Ta=+25°C., ScopeBW=100MHz)

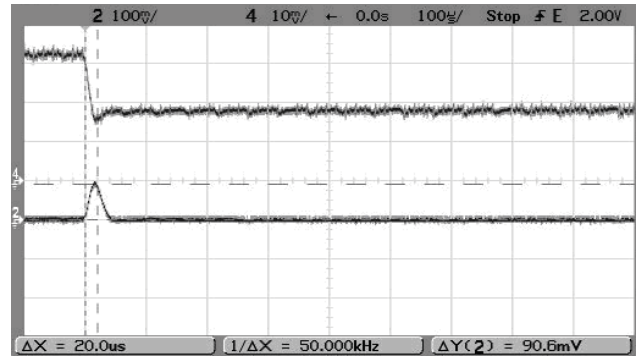


**PERFORMANCE DATA – OKI-78SR-12/1.0-W36E-C**

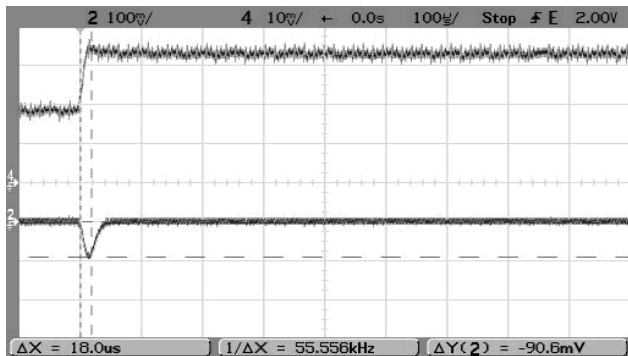
Step Load Transient Response ( $V_{in}=15V$ ,  $V_{out}=\text{nominal}$ ,  $\text{Cl}_{oad}=0$ ,  $I_{out}=0.5A$  to  $1.0A$ , Slew= $1A/\mu S$ ,  $T_a=+25^{\circ}C$ .) Trace 2= $V_{out}$ , 100 mV/div. Trace 4= $I_{out}$ , 0.5A/div.



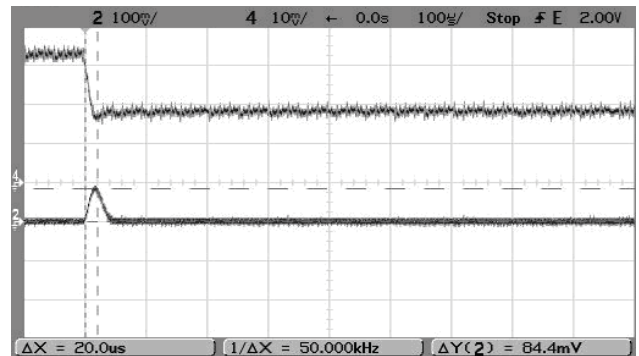
Step Load Transient Response ( $V_{in}=15V$ ,  $V_{out}=\text{nominal}$ ,  $\text{Cl}_{oad}=0$ ,  $I_{out}=1.0A$  to  $0.5A$ , Slew= $1A/\mu S$ ,  $T_a=+25^{\circ}C$ .) Trace 2= $V_{out}$ , 100 mV/div. Trace 4= $I_{out}$ , 0.5A/div.



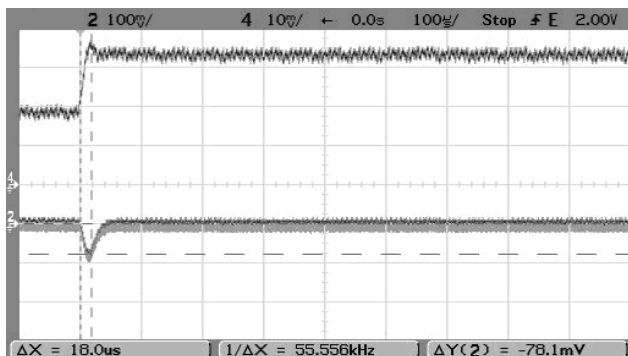
Step Load Transient Response ( $V_{in}=24V$ ,  $V_{out}=\text{nominal}$ ,  $\text{Cl}_{oad}=0$ ,  $I_{out}=0.5A$  to  $1.0A$ , Slew= $1A/\mu S$ ,  $T_a=+25^{\circ}C$ .) Trace 2= $V_{out}$ , 100 mV/div. Trace 4= $I_{out}$ , 0.5A/div.



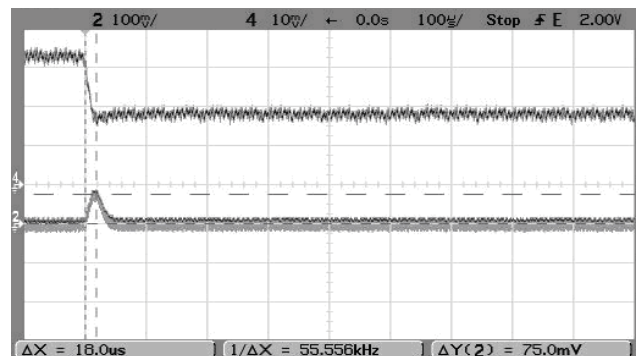
Step Load Transient Response ( $V_{in}=24V$ ,  $V_{out}=\text{nominal}$ ,  $\text{Cl}_{oad}=0$ ,  $I_{out}=1.0A$  to  $0.5A$ , Slew= $1A/\mu S$ ,  $T_a=+25^{\circ}C$ .) Trace 2= $V_{out}$ , 100 mV/div. Trace 4= $I_{out}$ , 0.5A/div.



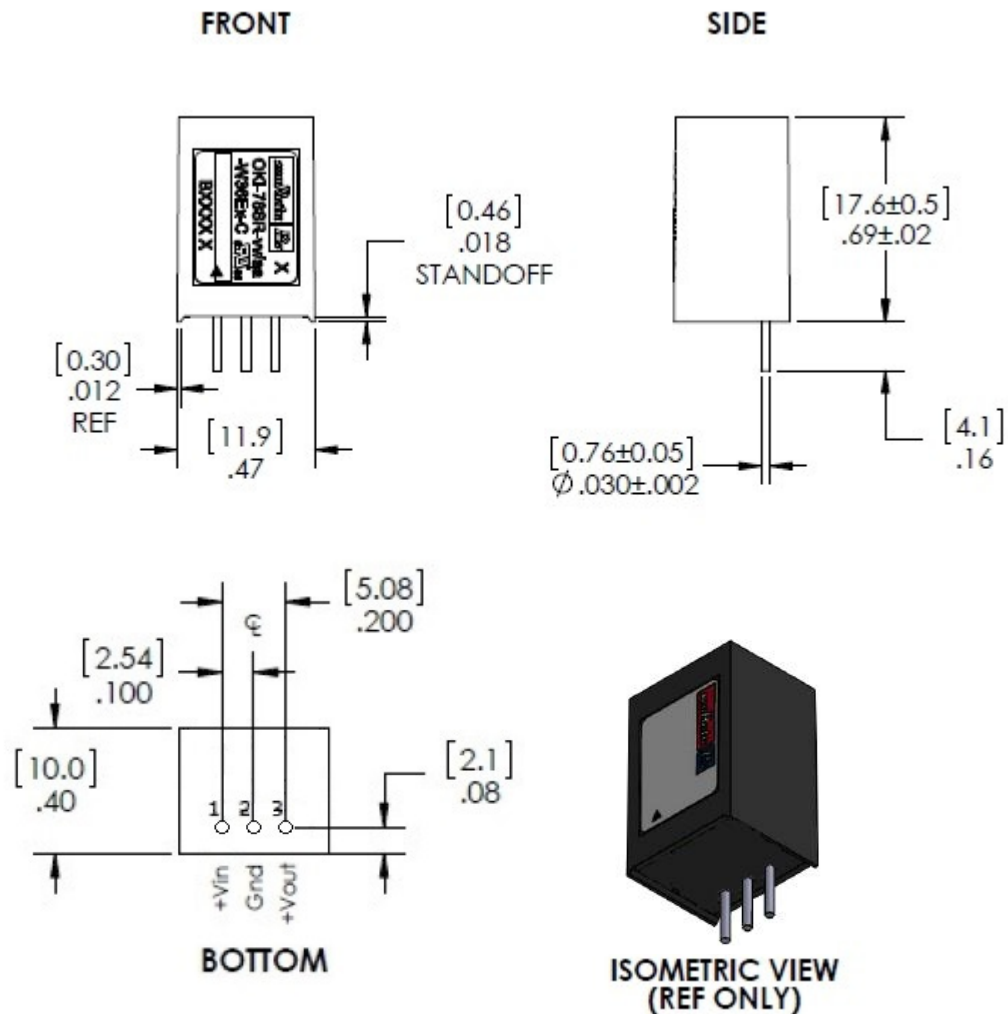
Step Load Transient Response ( $V_{in}=36V$ ,  $V_{out}=\text{nominal}$ ,  $\text{Cl}_{oad}=0$ ,  $I_{out}=0.5A$  to  $1.0A$ , Slew= $1A/\mu S$ ,  $T_a=+25^{\circ}C$ .) Trace 2= $V_{out}$ , 100 mV/div. Trace 4= $I_{out}$ , 0.5A/div.



Step Load Transient Response ( $V_{in}=36V$ ,  $V_{out}=\text{nominal}$ ,  $\text{Cl}_{oad}=0$ ,  $I_{out}=1.0A$  to  $0.5A$ , Slew= $1A/\mu S$ ,  $T_a=+25^{\circ}C$ .) Trace 2= $V_{out}$ , 100 mV/div. Trace 4= $I_{out}$ , 0.5A/div.



**MECHANICAL SPECIFICATIONS -- VERTICAL MOUNT**



DIMENSIONS ARE IN INCHES [mm]

TOLERANCES:  
 2 PLACE ±.02 ANGLES: ±1°  
 3 PLACE ±.010

COMPONENTS SHOWN ARE FOR REFERENCE ONLY

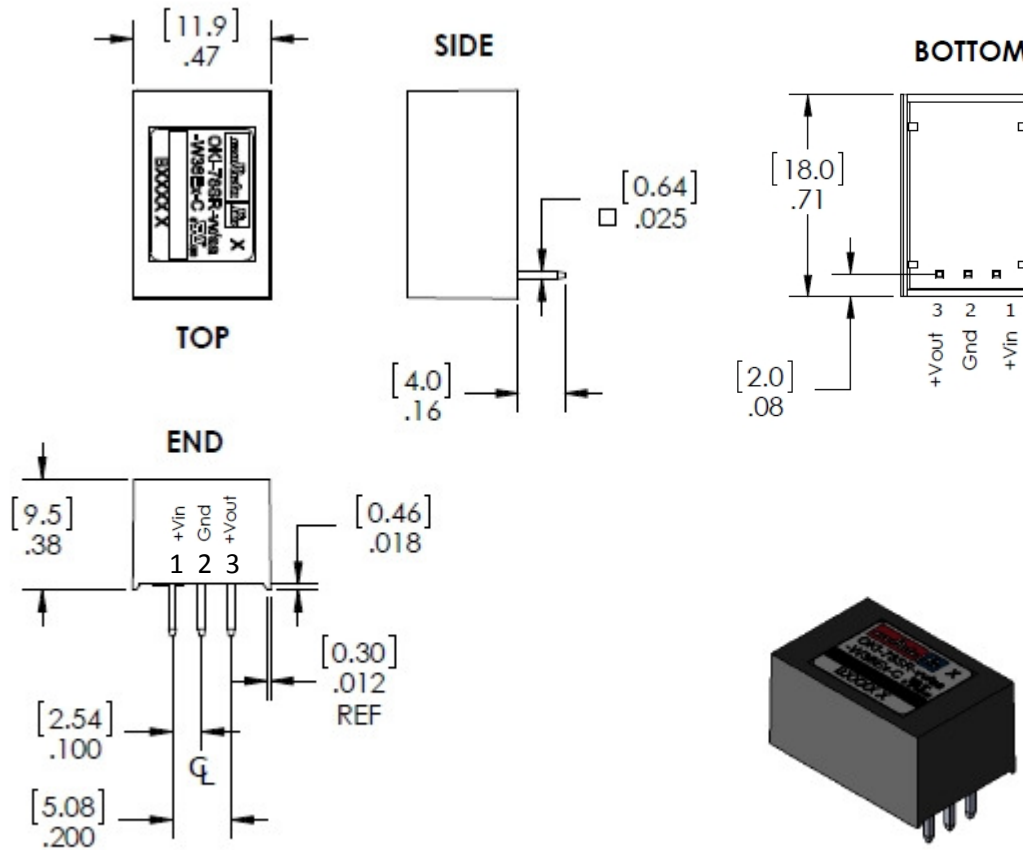
PIN MATERIAL: COPPER ALLOY  
 PIN FINISH: PURE MATTE TIN 100-300 μ"  
 OVER 75-150 μ" NICKEL



| INPUT/OUTPUT CONNECTIONS<br>OKI-78SR |                 |
|--------------------------------------|-----------------|
| Pin                                  | Function        |
| 1                                    | Positive Input  |
| 2                                    | Common (Ground) |
| 3                                    | Positive Output |



**MECHANICAL SPECIFICATIONS -- HORIZONTAL MOUNT**



DIMENSIONS ARE IN INCHES [mm]

TOLERANCES:  
 2 PLACE  $\pm .02$  ANGLES:  $\pm 1^\circ$   
 3 PLACE  $\pm .010$

COMPONENTS SHOWN ARE FOR REFERENCE ONLY

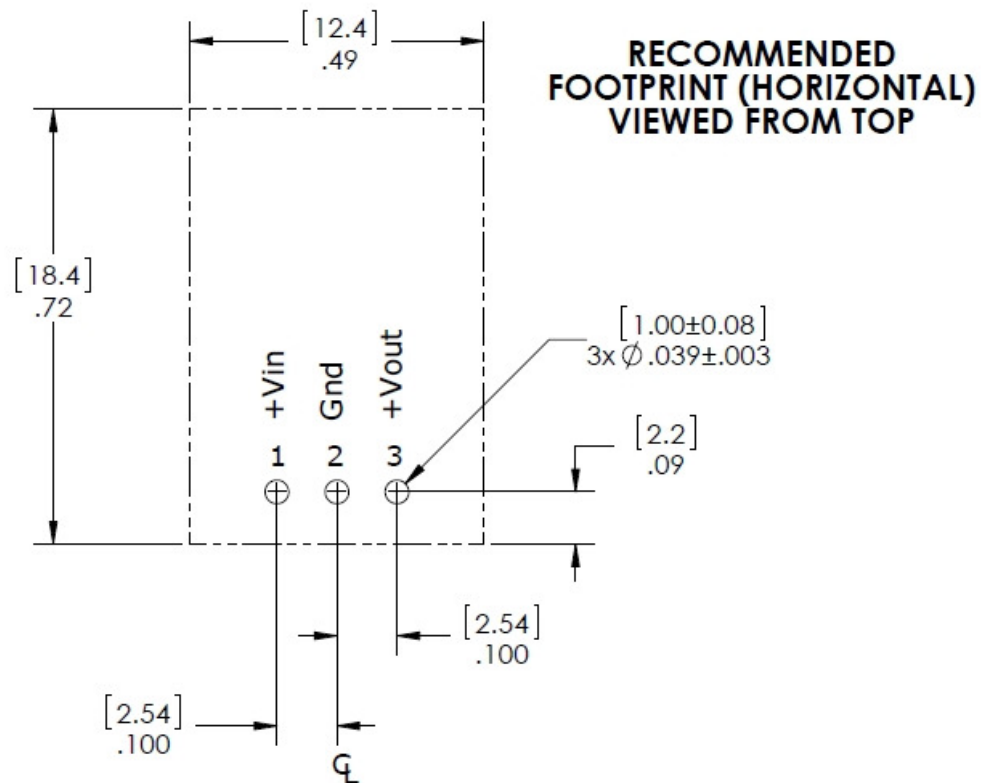
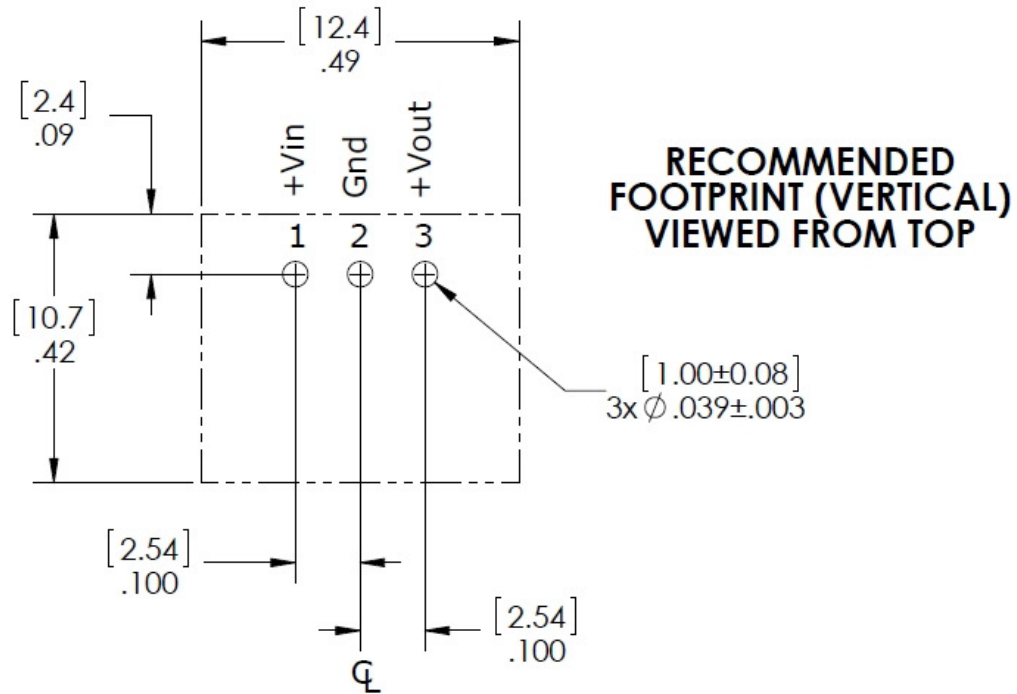
PIN MATERIAL: COPPER ALLOY  
 PIN FINISH: PURE MATTE TIN 100-300  $\mu$ "  
 OVER 75-150  $\mu$ " NICKEL



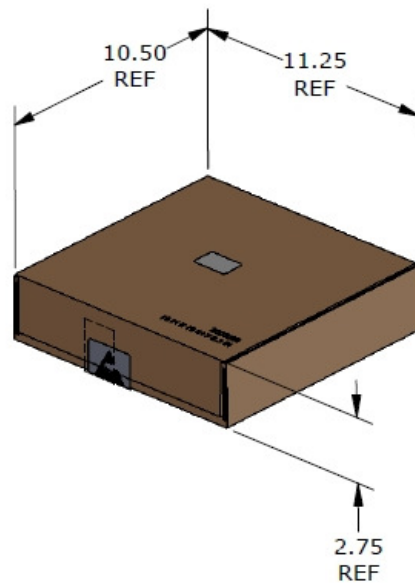
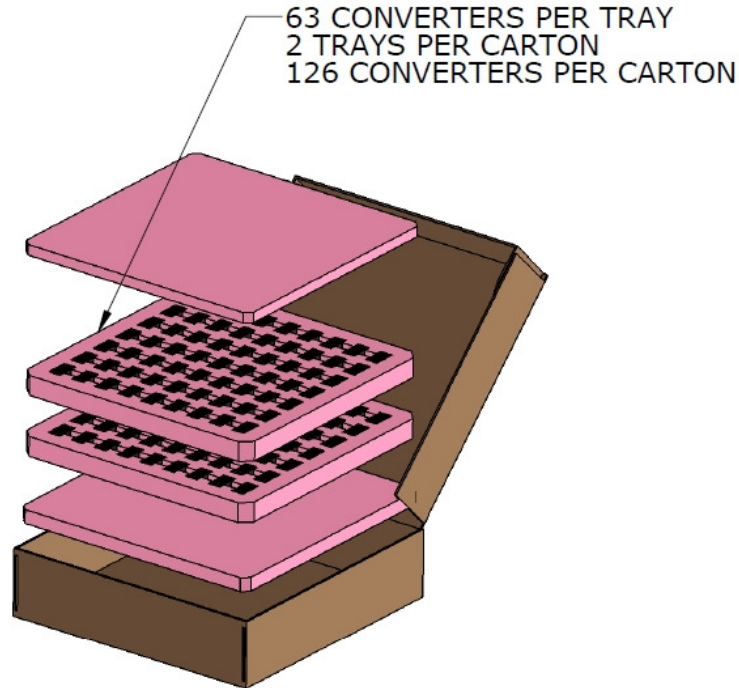
| INPUT/OUTPUT CONNECTIONS<br>OKI-78SR |                 |
|--------------------------------------|-----------------|
| Pin                                  | Function        |
| 1                                    | Positive Input  |
| 2                                    | Common (Ground) |
| 3                                    | Positive Output |



**RECOMMENDED FOOTPRINTS**



## STANDARD PACKAGING



**TECHNICAL NOTES**

**Input Fusing**

Certain applications and/or safety agencies may require fuses at the inputs of power conversion components. Fuses should also be used when there is the possibility of sustained input voltage reversal which is not current-limited. For greatest safety, we recommend a fast blow fuse installed in the ungrounded input supply line.

The installer must observe all relevant safety standards and regulations. For safety agency approvals, install the converter in compliance with the end-user safety standard.

**Recommended Input Filtering**

The user must assure that the input source has low AC impedance to provide dynamic stability and that the input supply has little or no inductive content, including long distributed wiring to a remote power supply. The converter will operate with no additional external capacitance if these conditions are met.

For best performance, we recommend installing a low-ESR capacitor immediately adjacent to the converter's input terminals. The capacitor should be a ceramic type such as the Murata GRM32 series or a polymer type. Initial suggested capacitor values are 10 to 22  $\mu\text{F}$ , rated at twice the expected maximum input voltage. Make sure that the input terminals do not go below the undervoltage shutdown voltage at all times. More input bulk capacitance may be added in parallel (either electrolytic or tantalum) if needed.

**Recommended Output Filtering**

The converter will achieve its rated output ripple and noise with no additional external capacitor. However, the user may install more external output capacitance to reduce the ripple even further or for improved dynamic response. Again, use low-ESR ceramic (Murata GRM32 series) or polymer capacitors. Initial values of 10 to 47  $\mu\text{F}$  may be tried, either single or multiple capacitors in parallel. Mount these close to the converter. Measure the output ripple under your load conditions.

Use only as much capacitance as required to achieve your ripple and noise objectives. Excessive capacitance can make step load recovery sluggish or possibly introduce instability. Do not exceed the maximum rated output capacitance listed in the specifications.

**Input Ripple Current and Output Noise**

All models in this converter series are tested and specified for input reflected ripple current and output noise using designated external input/output components, circuits and layout as shown in the following figures. The Cbus and Lbus components simulate a typical DC voltage bus. Please note that the values of Cin, Lbus and Cbus will vary according to the specific converter model.

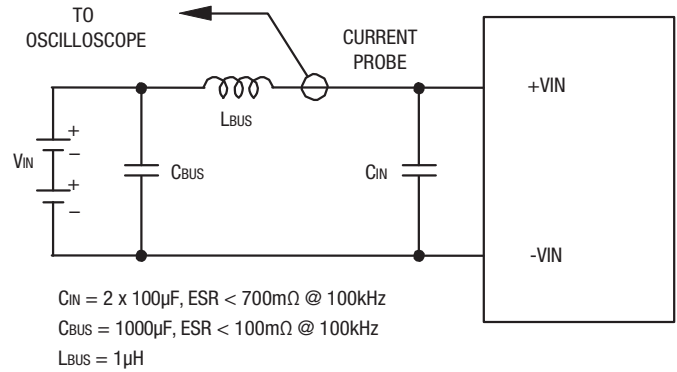


Figure 3 Measuring Input Ripple Current

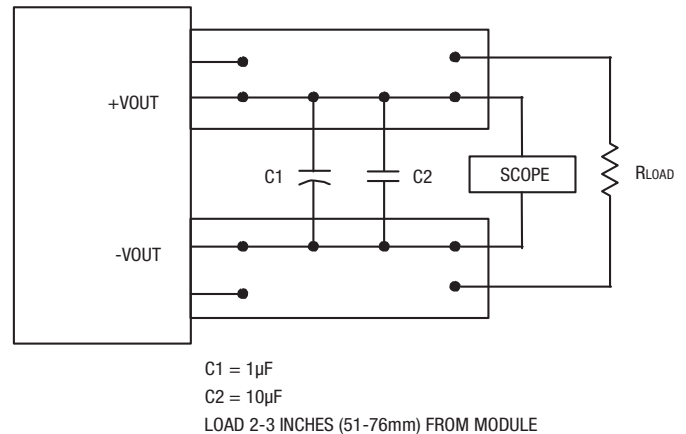


Figure 4. Measuring Output Ripple and Noise (PARD)

**Minimum Output Loading Requirements**

All models regulate within specification and are stable under no load to full load conditions. Operation under no load might however slightly increase output ripple and noise.

**Temperature Derating Curves**

The graphs in this data sheet illustrate typical operation under a variety of conditions. The Derating curves show the maximum continuous ambient air temperature and decreasing maximum output current which is acceptable under increasing forced airflow measured in Linear Feet per Minute (“LFM”). Note that these are AVERAGE measurements. The converter will accept brief increases in current or reduced airflow as long as the average is not exceeded.

Note that the temperatures are of the ambient airflow, not the converter itself which is obviously running at higher temperature than the outside air. Also note that “natural convection” is defined as very low rates which are not using fan-forced airflow. Depending on the application, “natural convection” is usually about 30-65 LFM but is not equal to still air (0 LFM).

Murata Power Solutions makes Characterization measurements in a closed cycle wind tunnel with calibrated airflow. We use both thermocouples and an infrared camera system to observe thermal performance. As a practical matter, it is quite difficult to insert an anemometer to precisely measure airflow in most applications. Sometimes it is possible to estimate the effective airflow if you thoroughly understand the enclosure geometry, entry/exit orifice areas and the fan flowrate specifications.

**CAUTION:** If you routinely or accidentally exceed these Derating guidelines, the converter may have an unplanned Over Temperature shut down. Also, these graphs are all collected at near Sea Level altitude. Be sure to reduce the derating for higher altitude.

**Soldering Guidelines**

Murata Power Solutions recommends the specifications below when installing these converters. These specifications vary depending on the solder type. Exceeding these specifications may cause damage to the product. Your production environment may differ; therefore please thoroughly review these guidelines with your process engineers.

| Wave Solder Operations for through-hole mounted products (THMT) |           |                             |           |
|---|-----------|-----------------------------|-----------|
| For Sn/Ag/Cu based solders:                                     |           | For Sn/Pb based solders:    |           |
| Maximum Preheat Temperature                                     | 115° C.   | Maximum Preheat Temperature | 105° C.   |
| Maximum Pot Temperature   | 270° C.   | Maximum Pot Temperature     | 250° C.   |
| Maximum Solder Dwell Time                                       | 7 seconds | Maximum Solder Dwell Time   | 6 seconds |

Murata Power Solutions, Inc.  
 11 Cabot Boulevard, Mansfield, MA 02048-1151 U.S.A.  
 ISO 9001 and 14001 REGISTERED

**Output Fusing**

The converter is extensively protected against current, voltage and temperature extremes. However your output application circuit may need additional protection. In the extremely unlikely event of output circuit failure, excessive voltage could be applied to your circuit. Consider using an appropriate fuse in series with the output.

**Output Current Limiting**

Current limiting inception is defined as the point at which full power falls below the rated tolerance. See the Performance/Functional Specifications. Note particularly that the output current may briefly rise above its rated value in normal operation as long as the average output power is not exceeded. This enhances reliability and continued operation of your application. If the output current is too high, the converter will enter the short circuit condition.

**Output Short Circuit Condition**

When a converter is in current-limit mode, the output voltage will drop as the output current demand increases. If the output voltage drops too low (approximately 98% of nominal output voltage for most models), the bias voltage may shut down the PWM controller. Following a time-out period, the PWM will restart, causing the output voltage to begin rising to its appropriate value. If the short-circuit condition persists, another shutdown cycle will initiate. This rapid on/off cycling is called “hiccup mode”. The hiccup cycling reduces the average output current, thereby preventing excessive internal temperatures and/or component damage.

The “hiccup” system differs from older latching short circuit systems because you do not have to power down the converter to make it restart. The system will automatically restore operation as soon as the short circuit condition is removed.



**This product is subject to the following operating requirements and the Life and Safety Critical Application Sales Policy:**

Refer to: <http://www.murata-ps.com/requirements/>

Murata Power Solutions, Inc. makes no representation that the use of its products in the circuits described herein, or the use of other technical information contained herein, will not infringe upon existing or future patent rights. The descriptions contained herein do not imply the granting of licenses to make, use, or sell equipment constructed in accordance therewith. Specifications are subject to change without notice. © 2017 Murata Power Solutions, Inc.