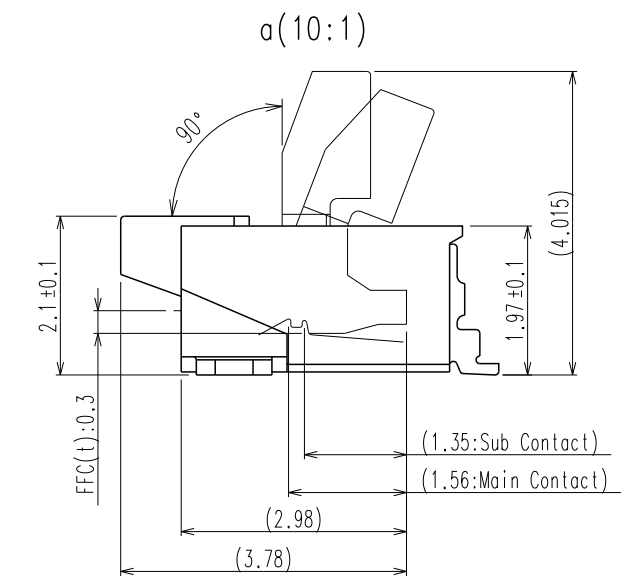
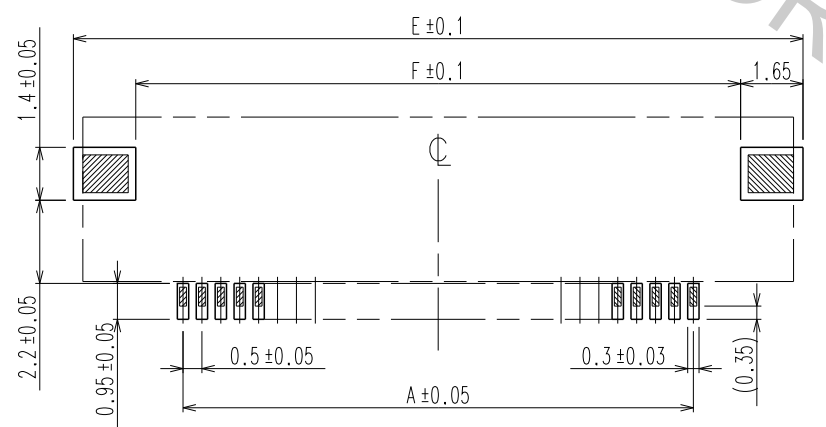
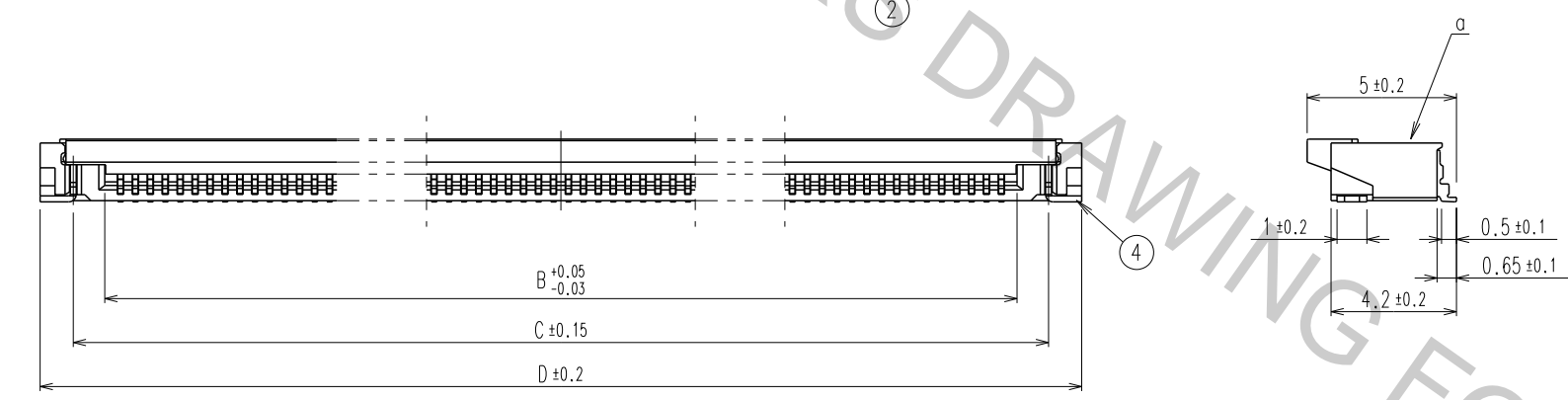
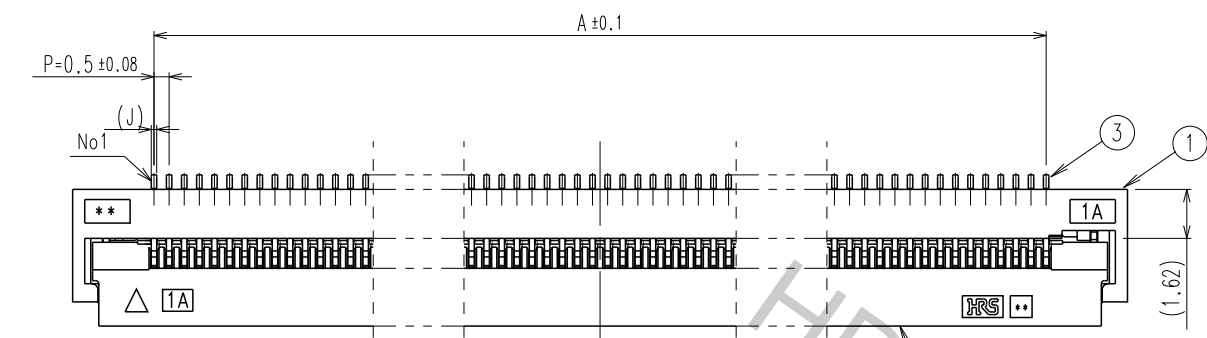
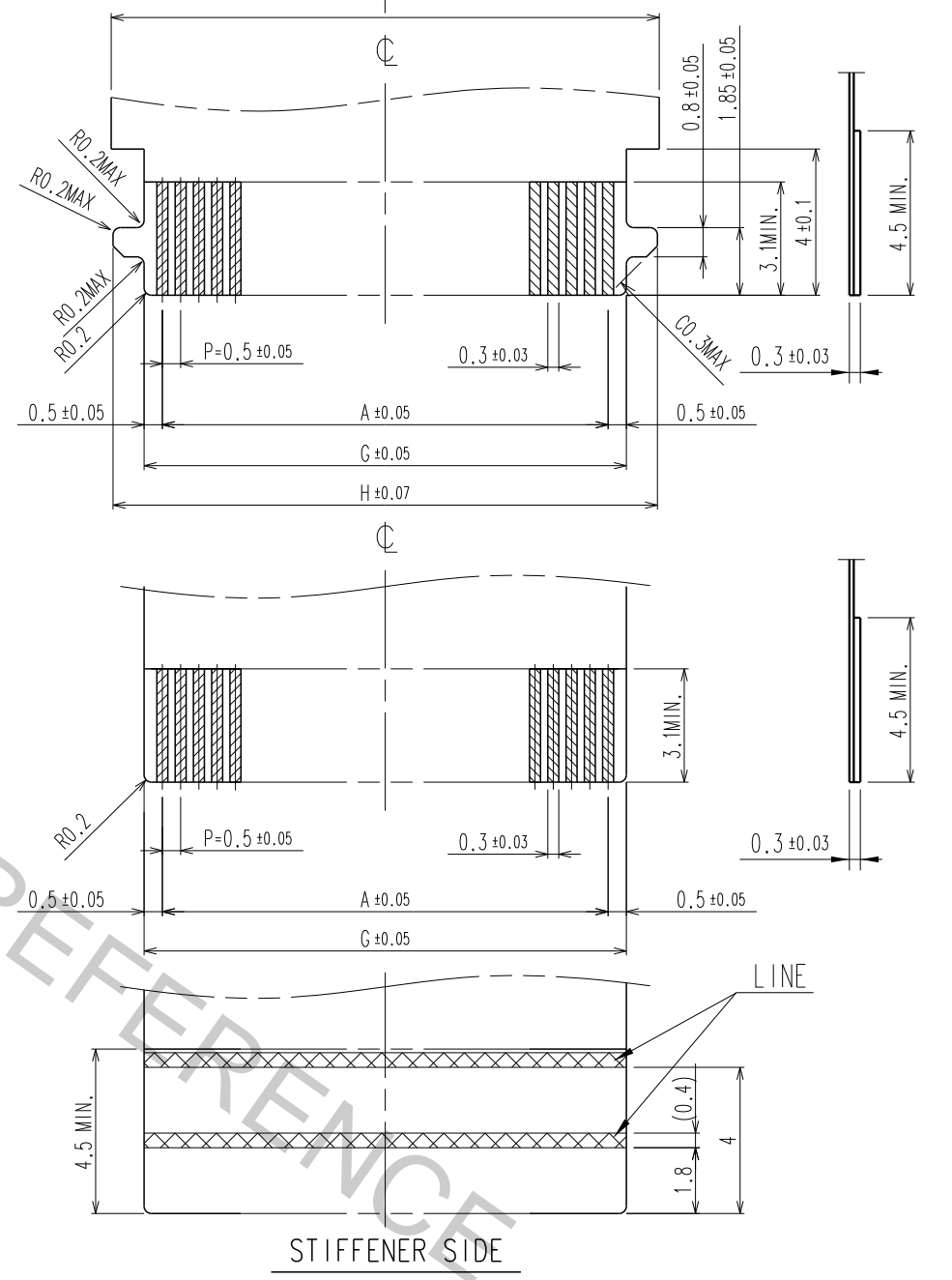


Dec.1.2018 Copyright 2018 HIROSE ELECTRIC CO., LTD. All Rights Reserved.  
 In case that the application demands a high level of reliability, such as automotive,  
 please contact a company representative for further information.

COUNT	DISCRIPTION OF REVISIONS	B	Y	CHKD	DATE	COUNT	DISCRIPTION OF REVISIONS	B	Y	CHKD	DATE
△						△					
△						△					
△						△					

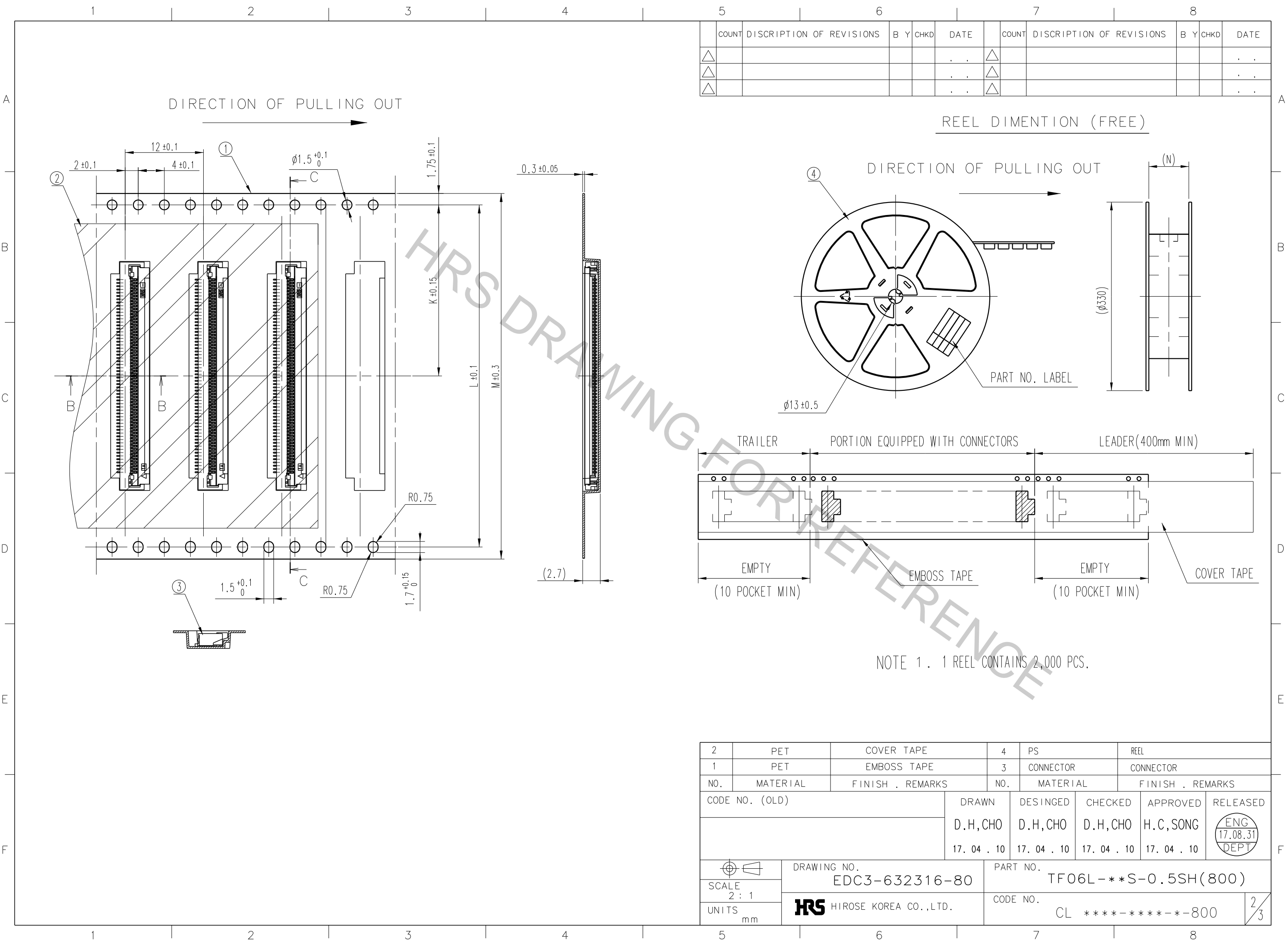
RECOMMENDED FPC/FFC(S=N/S)



NOTE 1 LEAD CO-PLANARITY INCLUDING REINFORCED METAL FITTINGS SHALL BE 0.1 MAX.  
 2 TO BE DELIVERED WITH TAPE AND REEL PACKAGES.

2	LCP	BLACK	UL94V-0	4	PHOSPHOR BRONZE	TIN PLATING 1μm MIN, OVER NICKEL 1μm MIN.		
1	LCP	BEIGE	UL94V-0	3	PHOSPHOR BRONZE	(CONTACT AREA) GOLD PLATING, OVER NICKEL 1μm MIN. (LEAD AREA) GOLD PLATING, OVER NICKEL 1μm MIN. (OTHER) NICKEL PLATING 1μm MIN.		
NO.	MATERIAL	FINISH, REMARKS		NO.	MATERIAL	FINISH, REMARKS		
CODE NO. (OLD)				DRAWN	DESIGNED	CHECKED	APPROVED	RELEASED
				D.H, CHO	D.H, CHO	D.H, CHO	H.C, SONG	ENG 17.08.31 DEPT
				17. 04 . 10	17. 04 . 10	17. 04 . 10	17. 04 . 10	
DRAWING NO. EDC3-632316-80				PART NO. TF06L-**-S-0.5SH(800)				
UNITS mm				CODE NO. CL *****-800				1/3

Dec.1.2018 Copyright 2018 HIROSE ELECTRIC CO., LTD. All Rights Reserved.  
 In case that the application demands a high level of reliability, such as automotive,  
 please contact a company representative for further information.



COUNT	DISCRIPTION OF REVISIONS	B	Y	CHKD	DATE	COUNT	DISCRIPTION OF REVISIONS	B	Y	CHKD	DATE
△					..	△					..
△					..	△					..
△					..	△					..

REEL DIMENTION (FREE)

DIRECTION OF PULLING OUT

TRAILER PORTION EQUIPPED WITH CONNECTORS LEADER (400mm MIN)

EMPTY (10 POCKET MIN) EMBOSS TAPE EMPTY (10 POCKET MIN) COVER TAPE


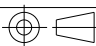
NOTE 1. 1 REEL CONTAINS 2,000 PCS.

2	PET	COVER TAPE	4	PS	REEL
1	PET	EMBOSS TAPE	3	CONNECTOR	CONNECTOR
NO.	MATERIAL	FINISH . REMARKS	NO.	MATERIAL	FINISH . REMARKS
CODE NO. (OLD)			DRAWN	DESINGED	CHECKED
			D.H,CHO	D.H,CHO	D.H,CHO
			17. 04 . 10	17. 04 . 10	17. 04 . 10
			APPROVED	RELEASED	
			H.C,SONG		ENG
			17. 04 . 10		17.08.31
					DEPT
DRAWING NO. EDC3-632316-80			PART NO. TF06L-**-S-0.5SH(800)		
SCALE 2:1			CODE NO. CL *****-800		
UNITS mm			HRS HIROSE KOREA CO.,LTD.		
			2/3		

Dec.1.2018 Copyright 2018 HIROSE ELECTRIC CO., LTD. All Rights Reserved.  
 In case that the application demands a high level of reliability, such as automotive,  
 please contact a company representative for further information.

5				6				7				8					
COUNT	DISCRIPTION OF REVISIONS	B	Y	CHKD	DATE	COUNT	DISCRIPTION OF REVISIONS	B	Y	CHKD	DATE	COUNT	DISCRIPTION OF REVISIONS	B	Y	CHKD	DATE
△					..	△					..	△					..
△					..	△					..	△					..
△					..	△					..	△					..

PART NUMBER	NUMBER OF CONTACTS	CONNECTOR, FPF/FFC, PCB, METAL MASK DIMENSION										PACKING DIMENSION			
		A	B	C	D	E	F	G	H	I	J	K	L	M	N
TF06L-50S-0.5SH(800)	50S	24.5	25.55	27.66	29.88	30.3	27	25.5	27.2	27.3	0.15	20.2	40.4	44	44.5
TF06L-60S-0.5SH(800)	60S	29.5	30.55	32.66	34.88	35.3	32	30.5	32.2	32.3	0.15	26.2	52.4	56	56.5
TF06L-68S-0.5SH(800)	68S	33.5	34.55	36.66	38.88	39.3	36	34.5	36.2	36.3	0.18	26.2	52.4	56	56.5
TF06L-80S-0.5SH(800)	80S	39.5	40.55	42.66	44.88	45.3	42	40.5	42.2	42.3	0.18	26.2	52.4	56	56.5

NO.		MATERIAL		FINISH . REMARKS		NO.		MATERIAL		FINISH . REMARKS					
CODE NO. (OLD)						DRAWN		DESINGED		CHECKED		APPROVED		RELEASED	
						D.H,CHO		D.H,CHO		D.H,CHO		H.C,SONG			
						17. 04 . 10		17. 04 . 10		17. 04 . 10		17. 04 . 10			
		DRAWING NO.				PART NO.									
SCALE		EDC3-632316-80				TF06L-**S-0.5SH(800)									
N : S		<b>HRS</b> HIROSE KOREA CO.,LTD.				CODE NO.				CL *****--800					
UNITS		mm								3/3					

# Mouser Electronics

Authorized Distributor

Click to View Pricing, Inventory, Delivery & Lifecycle Information:

[Hirose Electric:](#)

[TF06L-50S-0.5SH\(800\)](#) [TF06L-68S-0.5SH\(800\)](#) [TF06L-80S-0.5SH\(800\)](#) [TF06L-60S-0.5SH\(800\)](#)