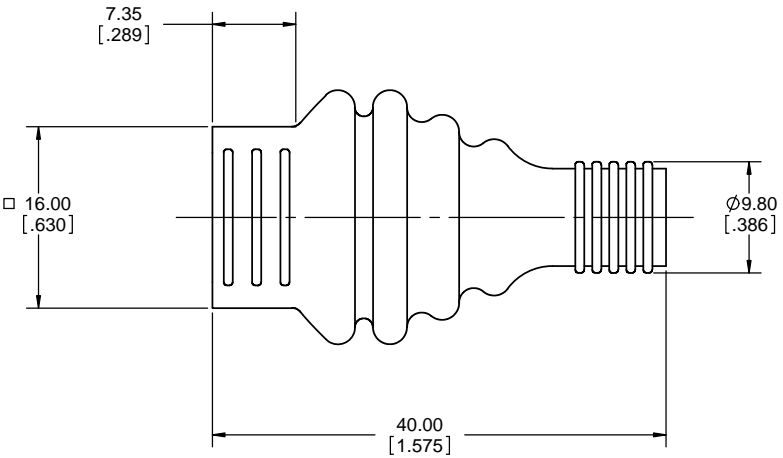
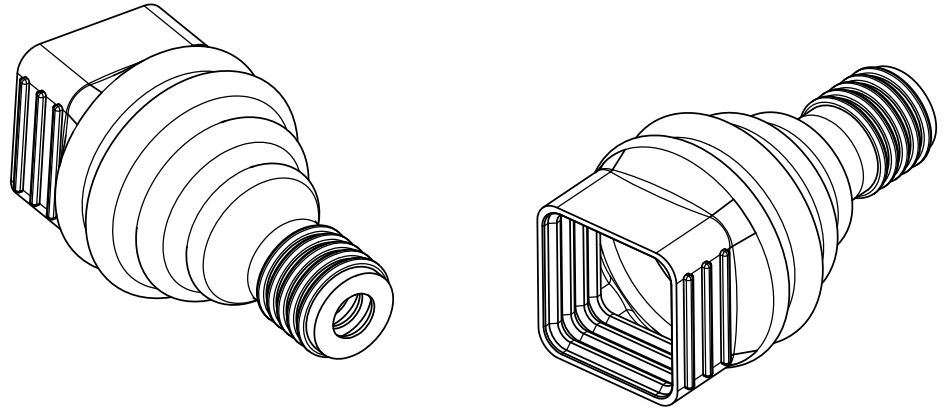
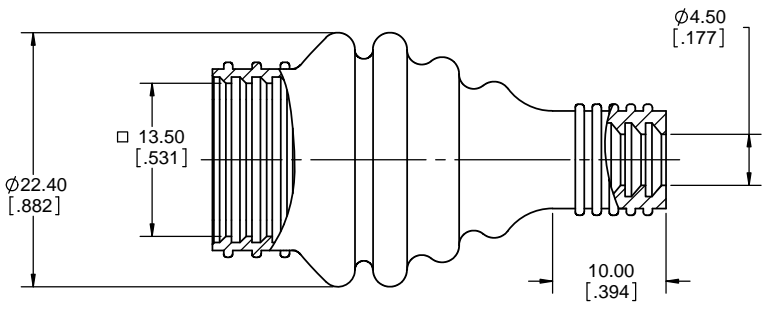


REVISIONS			
REV	DESCRIPTION, ECN, EAR NO.	DATE	APP'D
B	ECN E08315	NOV20/07	K.L.
C	PRODUCT DWG (EAR 14373)	JUNE02/15	K.L.



AMPHENOL PART NO.	COLOUR
MRJ-258E-11BP	TRANSPARENT
MRJ-258E-12BP	BLACK

- NOTES:**
1. MATERIAL: SILICONE RUBBER.
 2. OPERATING TEMPERATURE: -20°C TO +200°C.
 3. PART IS RoHS COMPLIANT PER EU DIRECTIVE 2011/65/EU AND AMENDMENTS.
 4. PART SUPPLIED BULK PACKED.
 5. BOOT TO BE ASSEMBLED OVER RJ CABLE PRIOR TO TERMINATION OF RJ PLUG. SLIDE BOOT TOWARDS CABLE END TO COVER PLUG AND MATING INTERFACE.
 6. SQUARE END OF BOOT FITS OVER MATING END OF AMPHENOL MRJ OR MRJR SERIES MODULAR JACKS.



UNLESS SPECIFIED OTHERWISE	DRAWN	A. DODDS	JUN28/07
PRIMARY UNITS MILLIMETERS	CHECKED	K. LAMBIE	NOV18/07
SECONDARY INCHES	M.E. APP'D		
REFERENCE IN PARENTHESES	Q.A. APP'D		
GENERAL TOLERANCES	DWG APPR.		
1 DECIMAL PLACE	ENG. REL. NO.	EAR E13132	
2 DECIMAL PLACES	REF.		
3 DECIMAL PLACES	THIRD ANGLE PROJECTION		
ANGULAR DEGREES	DO NOT SCALE DRAWING		

Amphenol Canada Corp.
www.amphenolcanada.com
MRJ SERIES BOOT,
FOR RJ PLUG & CABLE,
RoHS COMPLIANT

DWG. NO. **P-MRJ-258E-1XBP** REV **C**

CODE ID NO. 03554 DWG SIZE: X SCALE: 3:1 SHEET 1 OF 1

Mouser Electronics

Authorized Distributor

Click to View Pricing, Inventory, Delivery & Lifecycle Information:

[Amphenol:](#)

[MRJ-258E-11-BP](#)