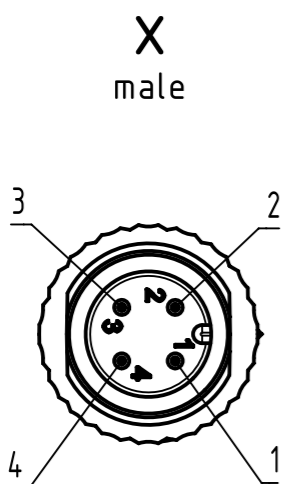
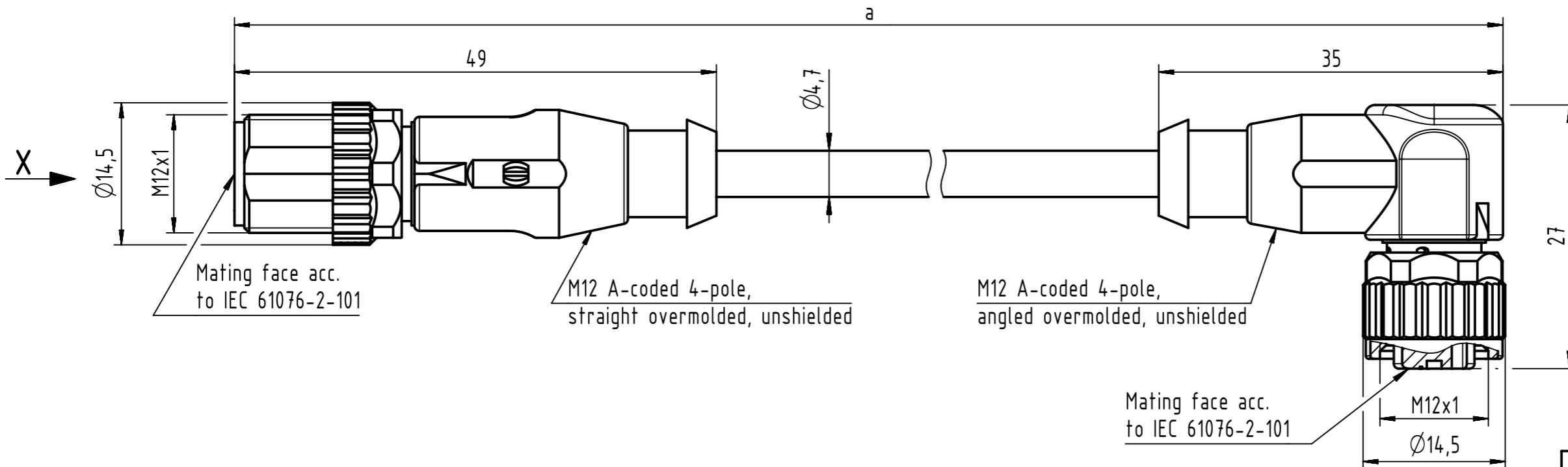
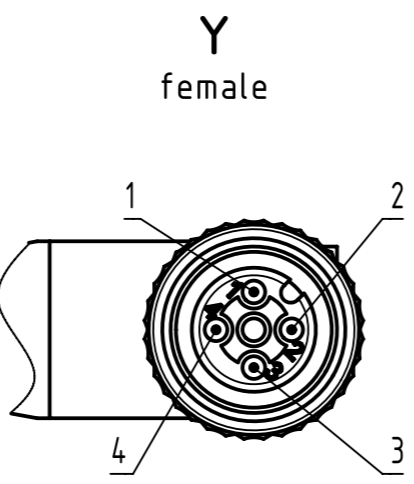


Connector Location A

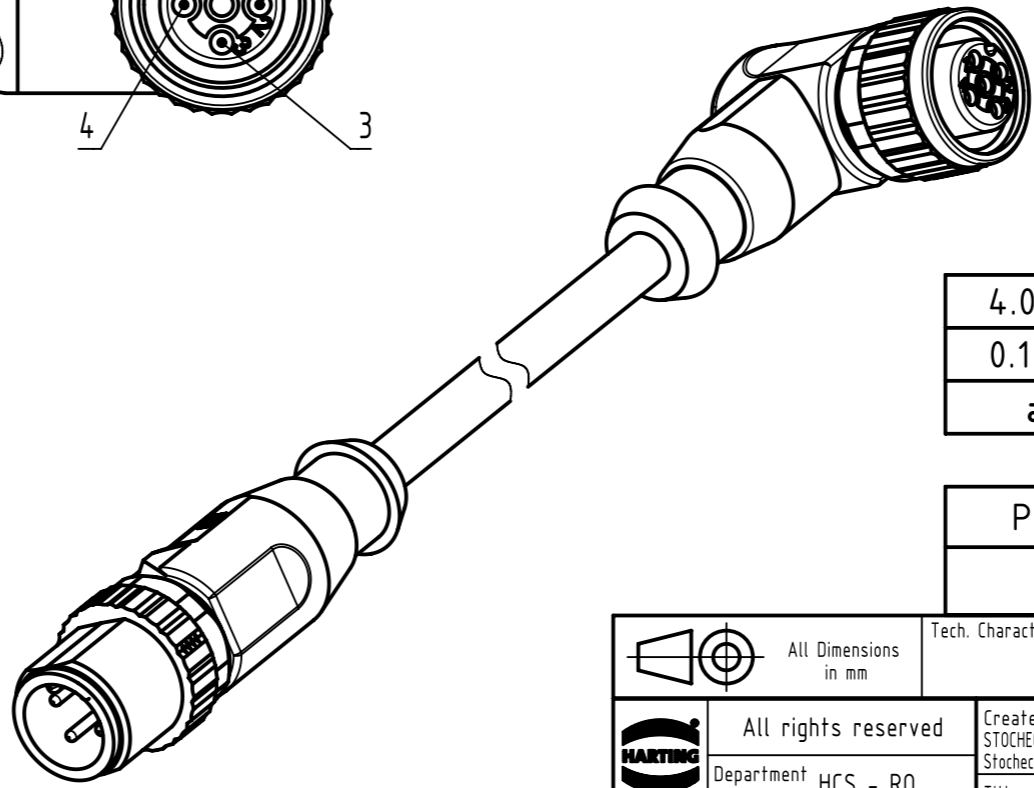
Connector Location B



- Loading-Plan**
- 1 brown
 - 2 white
 - 3 blue
 - 4 black



- Protection level: IP65/67
 - Temperature range: -25°C ... +80°C



4.0 to 40	±1%
0.1 to 3.9	+0.04
a [m]	Tolerance

length in "1m" step	40	XXX=400
	39	XXX=390
	.	.
	12	XXX=120
length in "0.1m" step	11	XXX=110
	10	XXX=100
	9.9	XXX=099
	9.8	XXX=098
	.	.
	0.4	XXX=004
	0.3	XXX=003
Step	0.2	XXX=002
	0.1	XXX=001
	a [m]	XXX

PVC grey, 4x0.34mm ²	21348487484XXX
Type of cable	Part no.

All Dimensions in mm		Tech. Character.		Free size tol.		According to production drawing	
All rights reserved Department HCS - RO HARTING Customised Solutions D-32339 Espelkamp	Created by STOCHECIC Stochei	Inspected by COSTEA Costea	Standardisation MUNTEANV Muntean	Date 2018-12-14	State Final Release		Doc-Key / ECM-Nr. 100578701/UGD/009/D 500000144869 Rev. D Page 1/1
	Title M12 Cable Assembly A-cod st/an m/f			Type TB	Number 21348487484XXX		

Mouser Electronics

Authorized Distributor

Click to View Pricing, Inventory, Delivery & Lifecycle Information:

HARTING:

[21348487484075](#) [21348487484005](#) [21348487484020](#) [21348487484015](#) [21348487484100](#) [21348487484010](#)
[21348487484050](#)