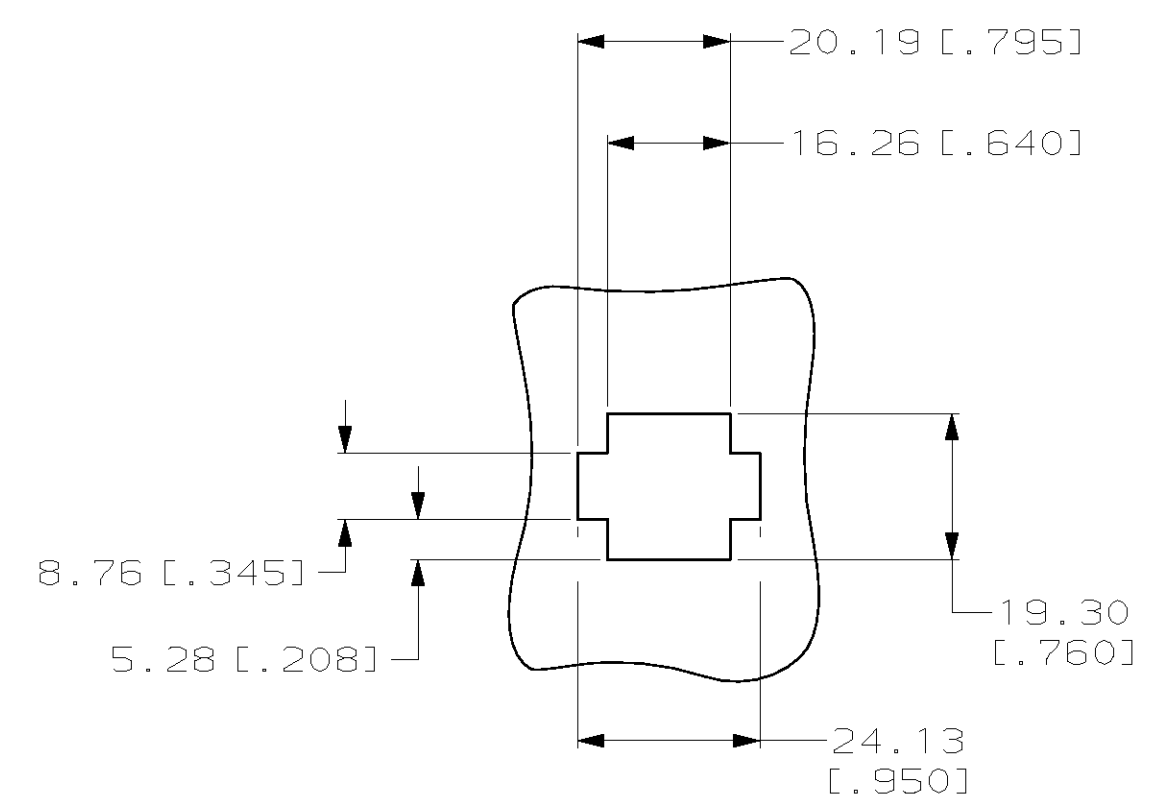
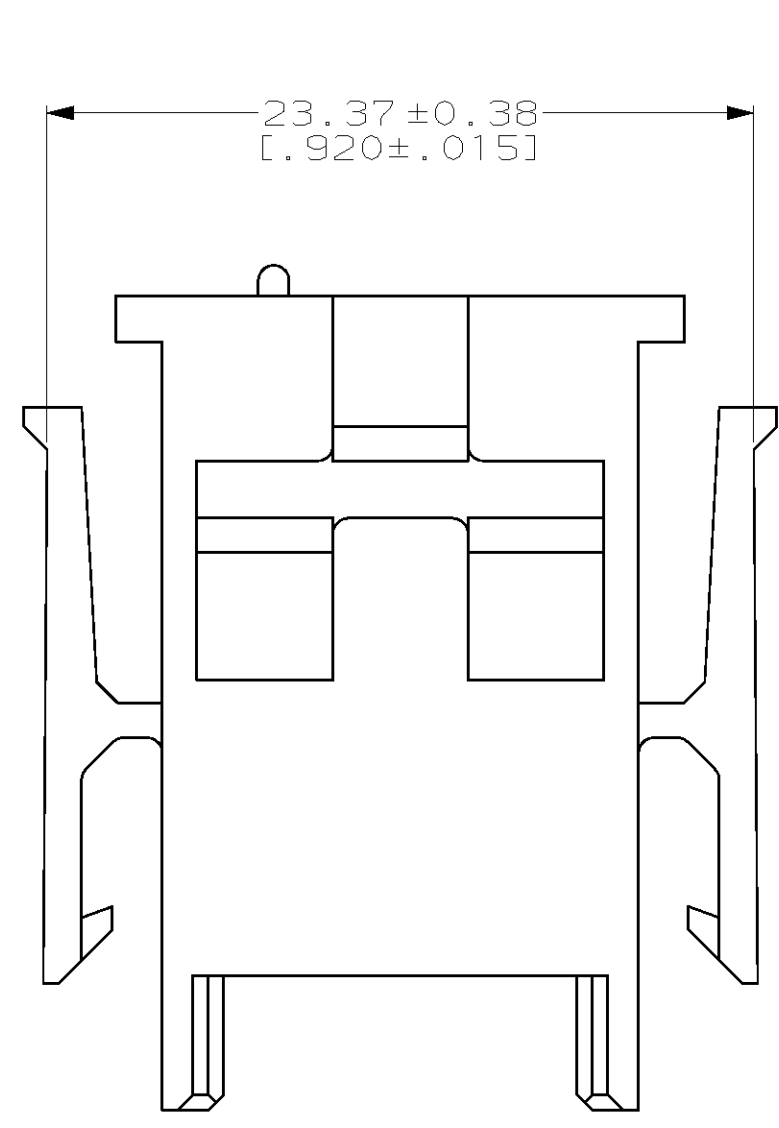
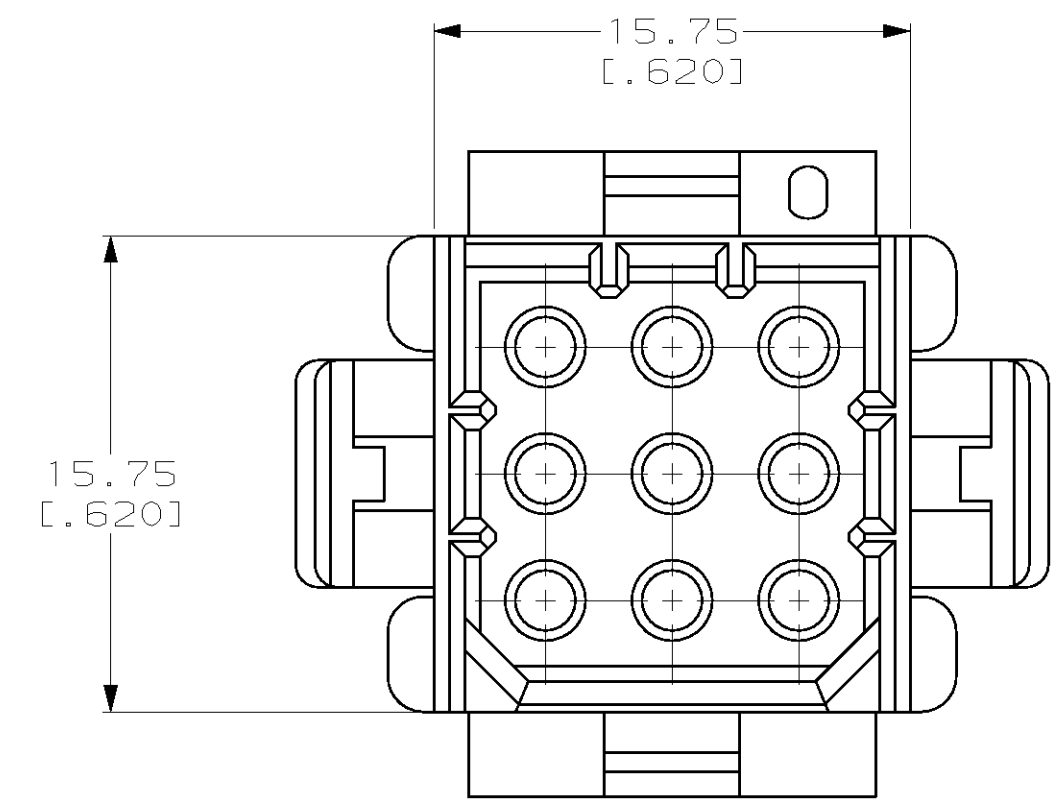
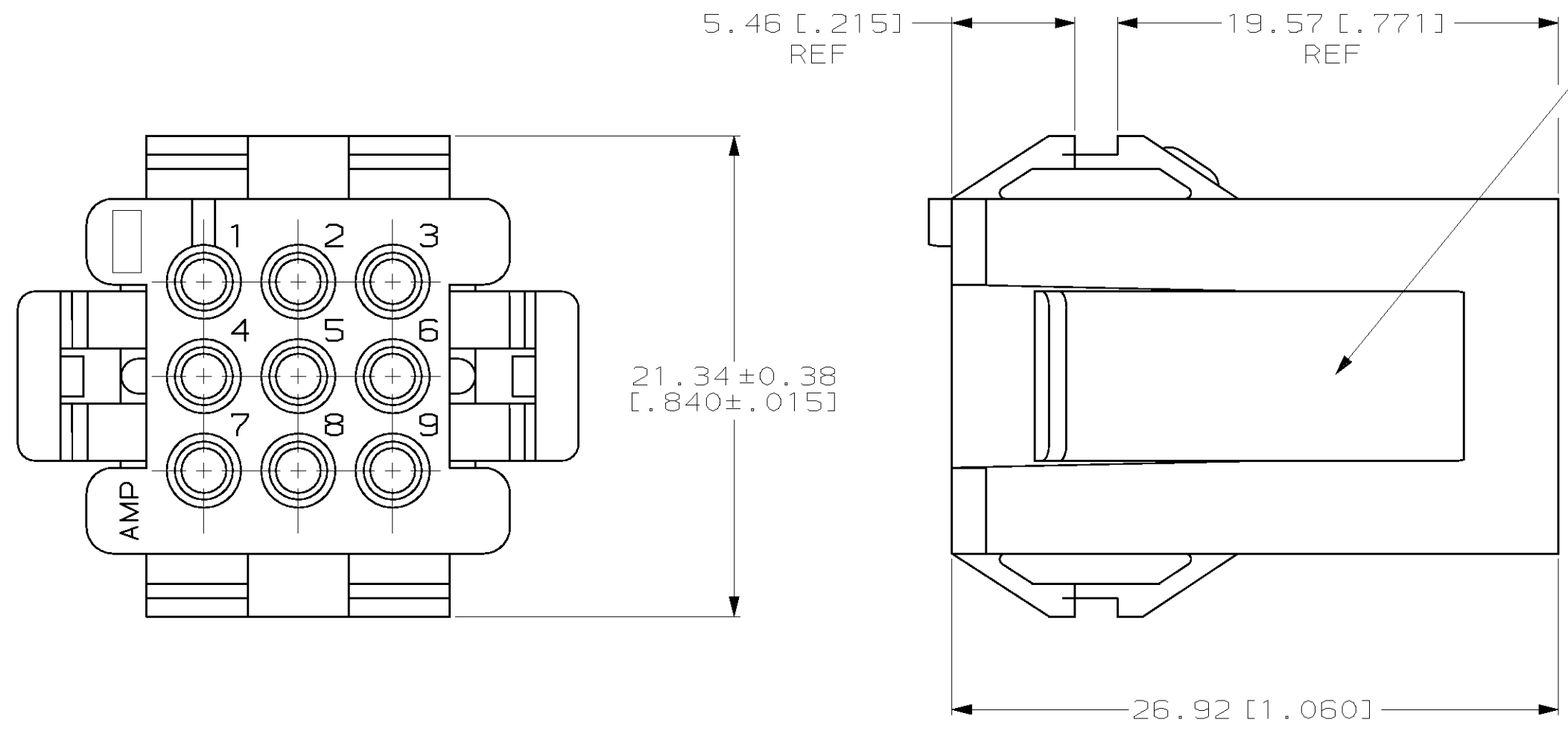


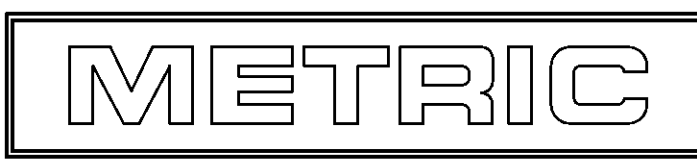
THIS DRAWING IS UNPUBLISHED. RELEASED FOR PUBLICATION .19
 (C) COPYRIGHT 19 BY AMP INCORPORATED. ALL RIGHTS RESERVED.

LOC	DIST	REVISIONS			
P	LTR	DESCRIPTION	DATE	DWN	APVD
CM	52				
		D	REV PER EC 0L30-0015-97	2-21-97	JH RS

- MATES WITH HOUSING 640521.
- UL LOGO AND CSA LOGO TO APPEAR ON EITHER LATCH SURFACE PER AMP SPEC 202-20, I.D. NO. 1-18838-3 AND 1-18839-3. FROST BACKGROUND OPTIONAL.
- DIMENSIONS IN BRACKETS ARE IN INCHES.



RECOMMENDED CUT OUT
 FOR 1.73 [.068] MAX THICK PANEL
 SCALE 1:1



1-640511-0
 PART NUMBER

THIS DRAWING IS A CONTROLLED DOCUMENT.		DWN	R. VESTAL	7-12-96	AMP Incorporated Harrisburg, PA 17105-3608
DIMENSIONS:		CHK	R. SWING	7-12-96	
mm (INCHES)		APVD	A. BEDDICK	7-12-96	
		NAME		HOUSING, CAP	
TOLERANCES UNLESS OTHERWISE SPECIFIED: 0 PLC ± 1 PLC ± 2 PLC ±0.13(.005) 3 PLC ± 4 PLC ± ANGLES ±0°30'		PRODUCT SPEC		MRII	
MATERIAL NYLON, UL 94V-0, NATURAL (BRICK RED)		APPLICATION SPEC		9 POSITION	
FINISH -		WEIGHT -		SIZE	
CUSTOMER DRAWING		SCALE 4:1		CAGE CODE	
		SHEET 1 OF 1		DRAWING NO	
		REV D		C-640511	