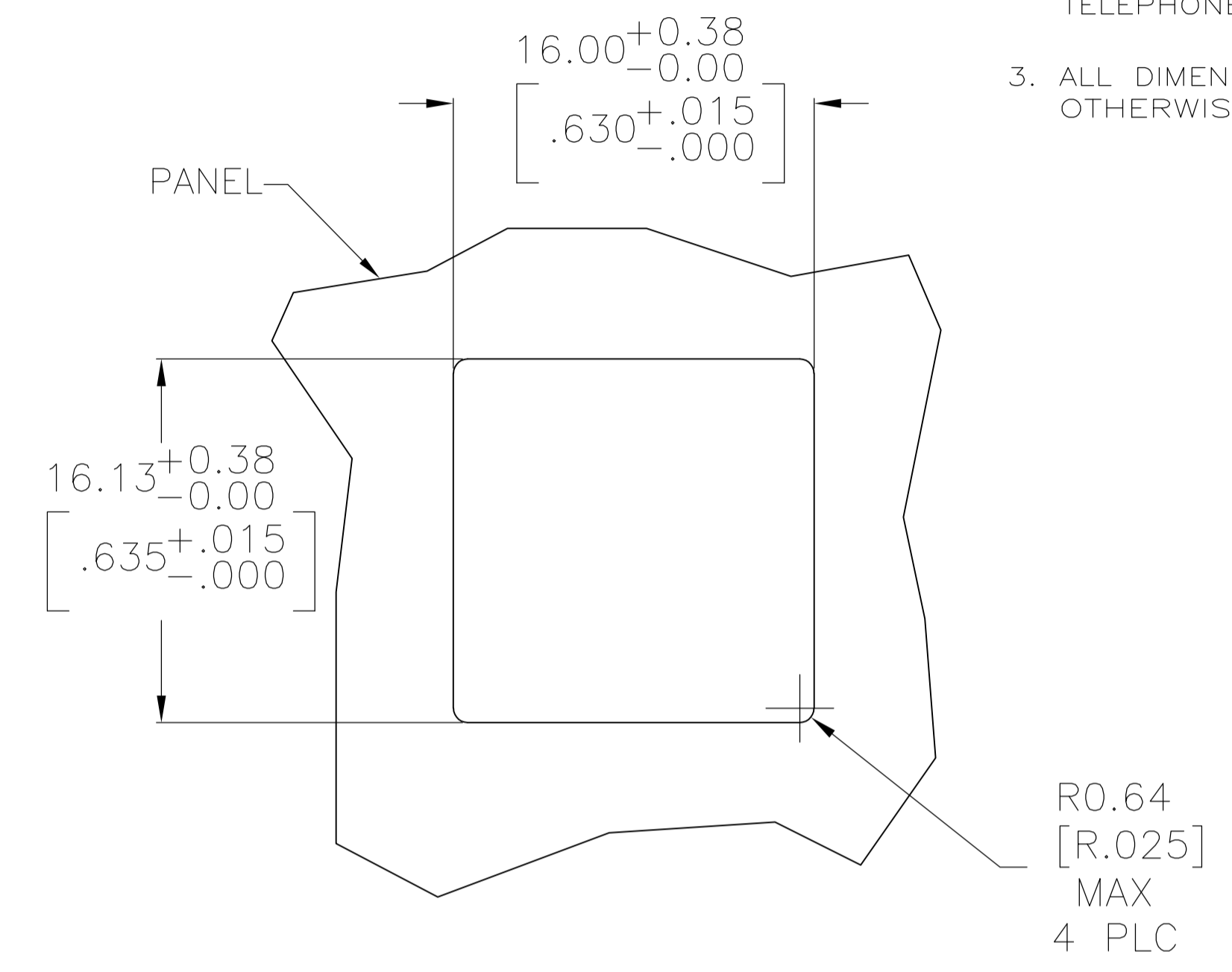
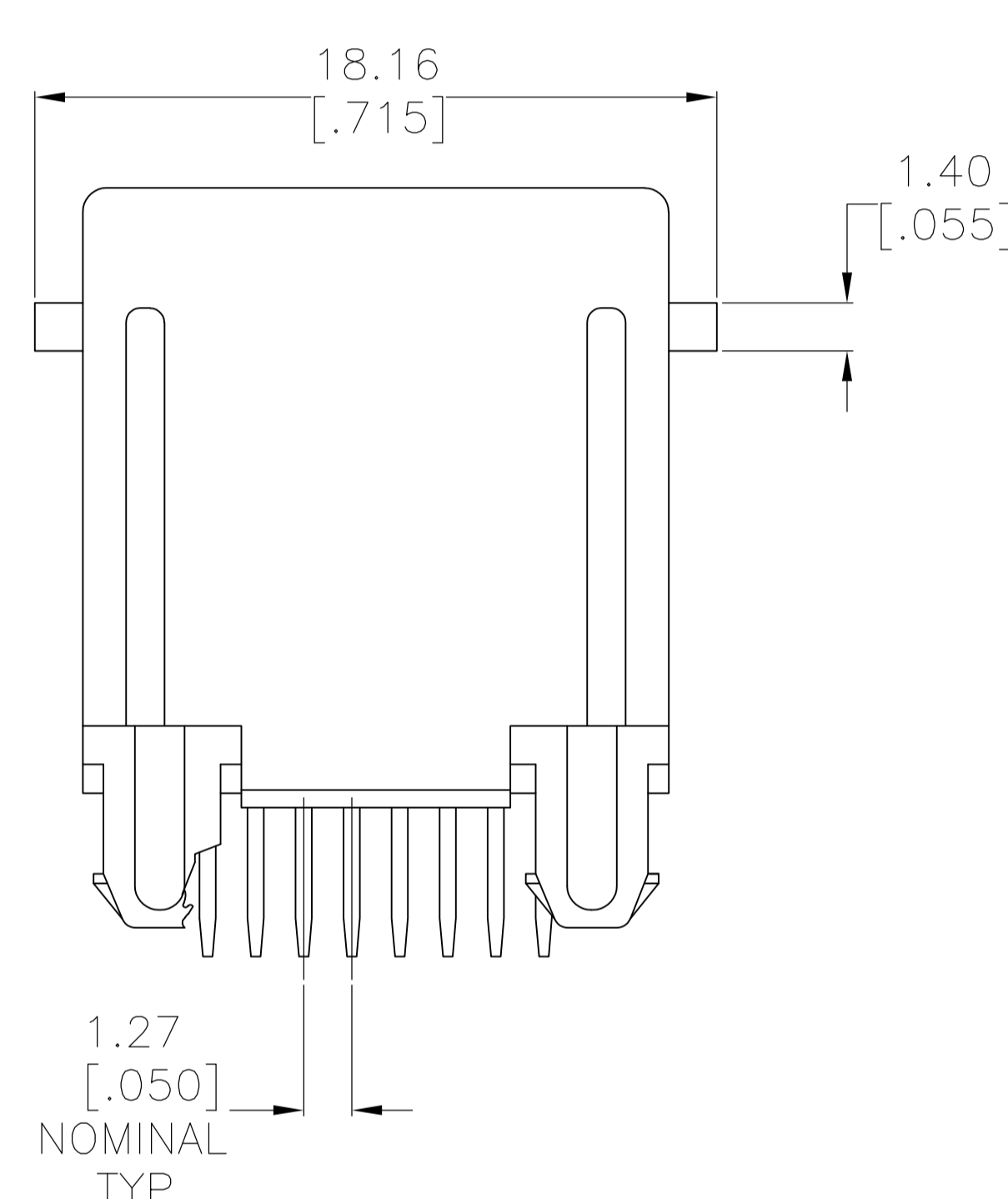
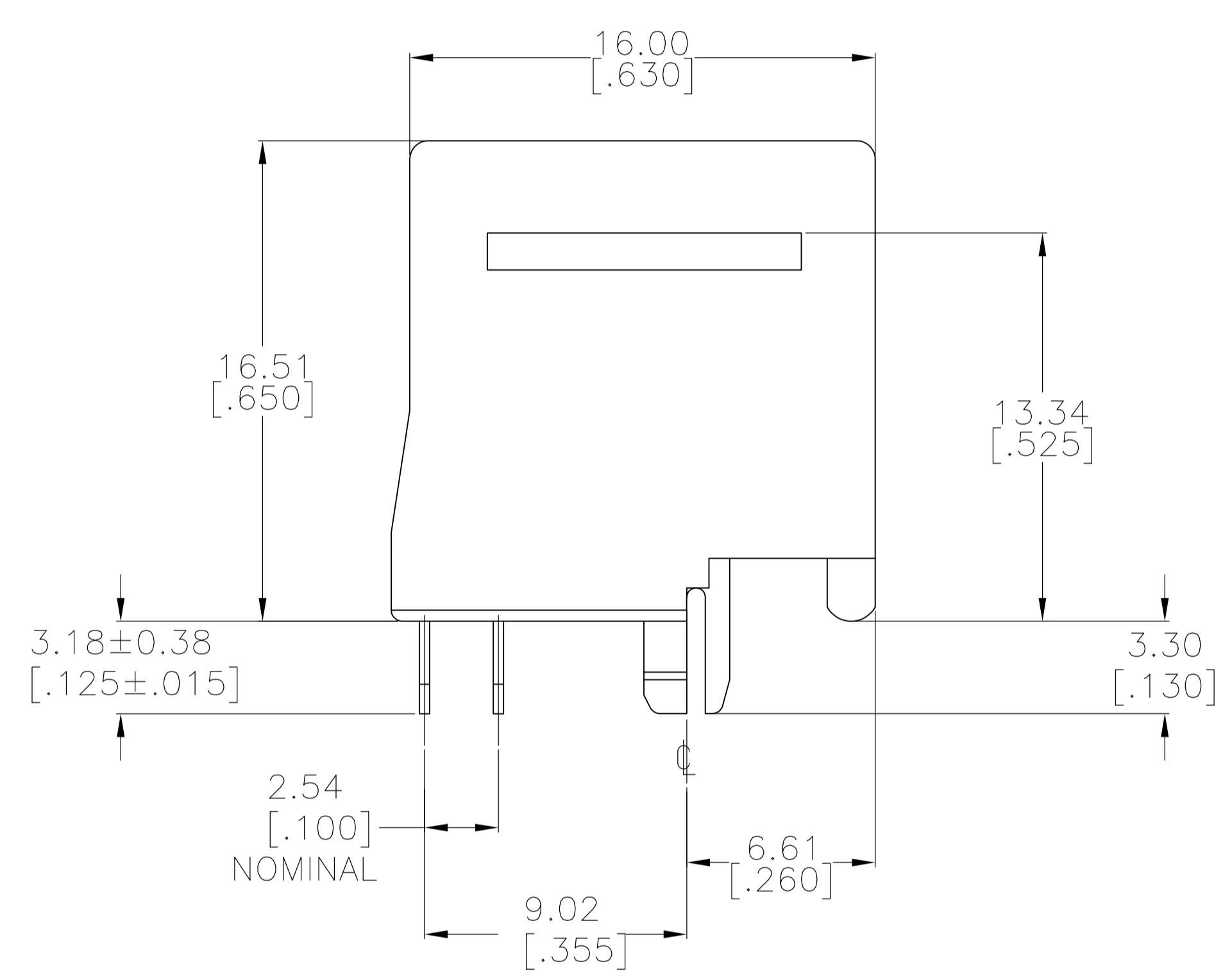
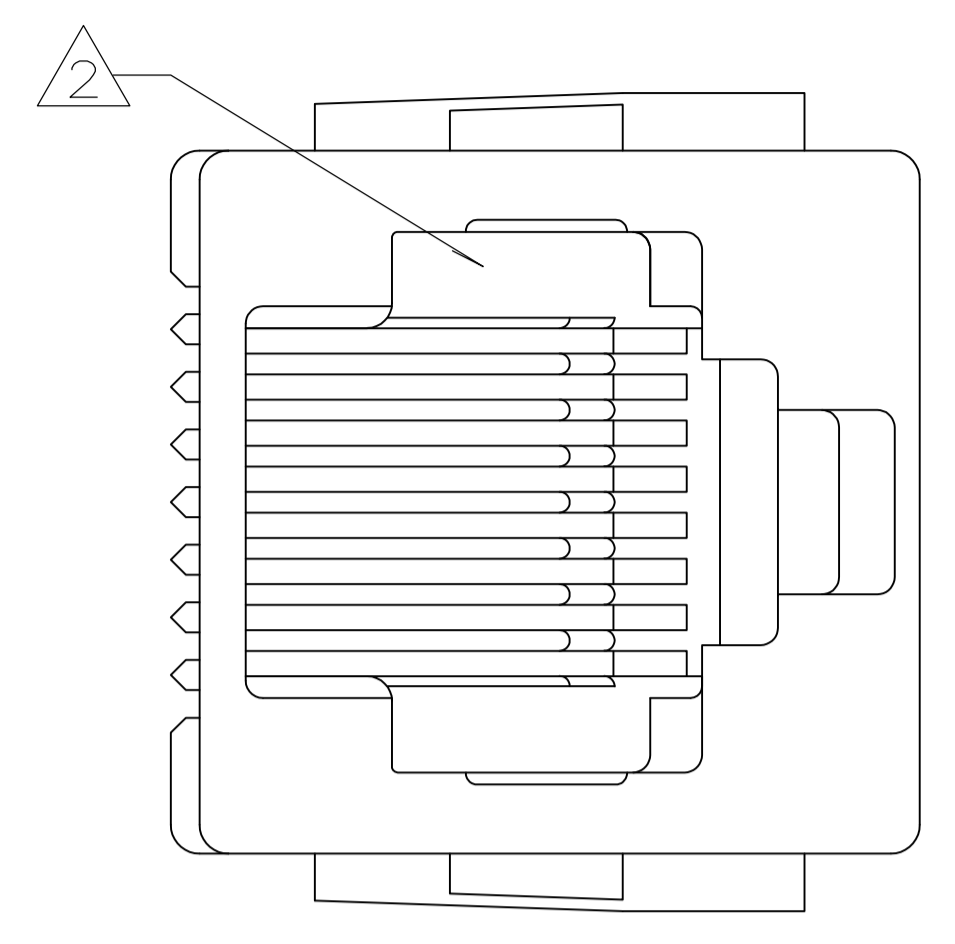
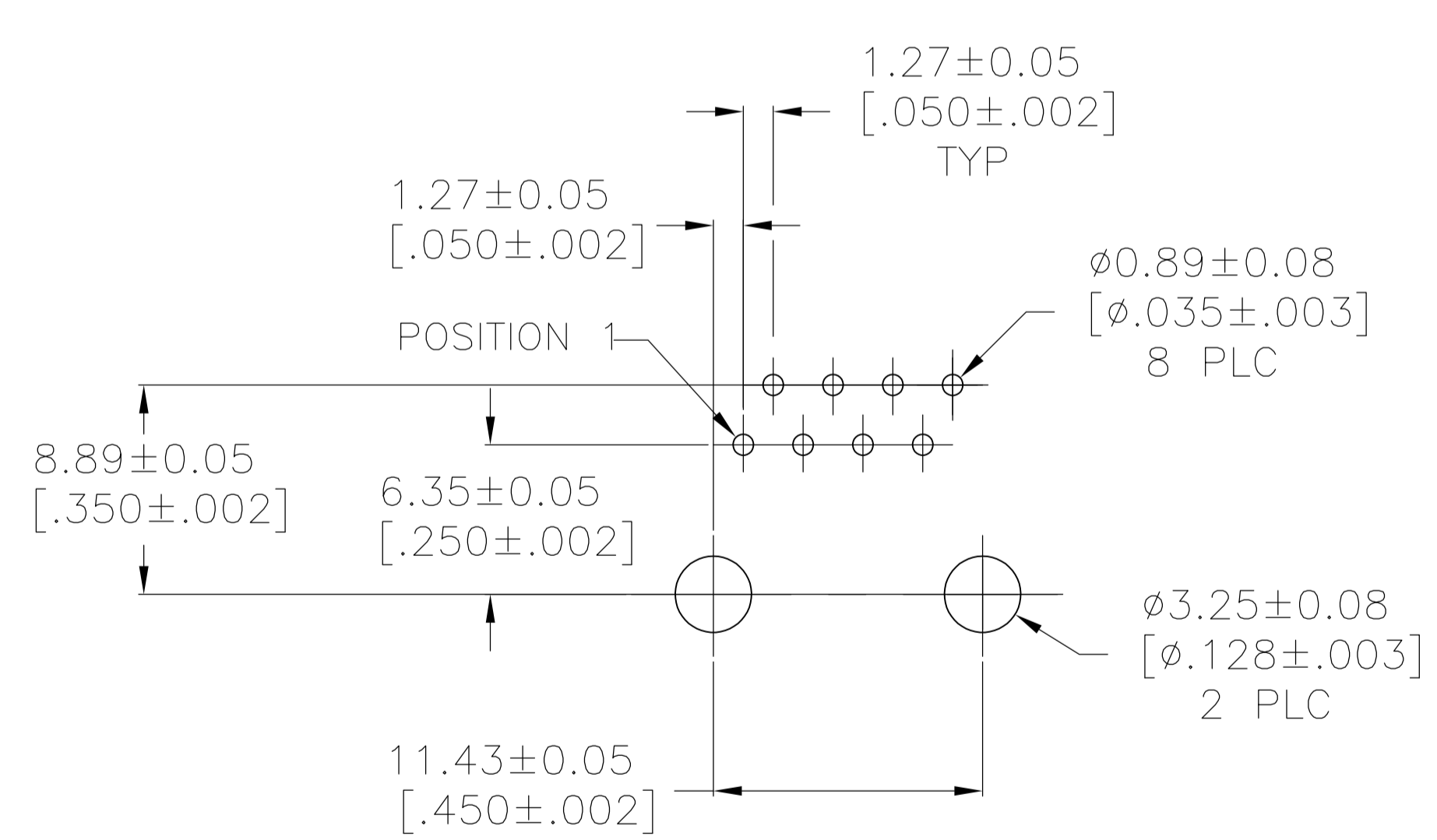


| LOC |                           | DIST |     | REVISIONS   |           |     |      |
|-----|---------------------------|------|-----|-------------|-----------|-----|------|
| GP  | 00                        | P    | LTR | DESCRIPTION | DATE      | DMN | APVD |
| B2  | REVISED PER ECO-12-014368 |      |     |             | 26SEP2012 | CJV | PAR  |

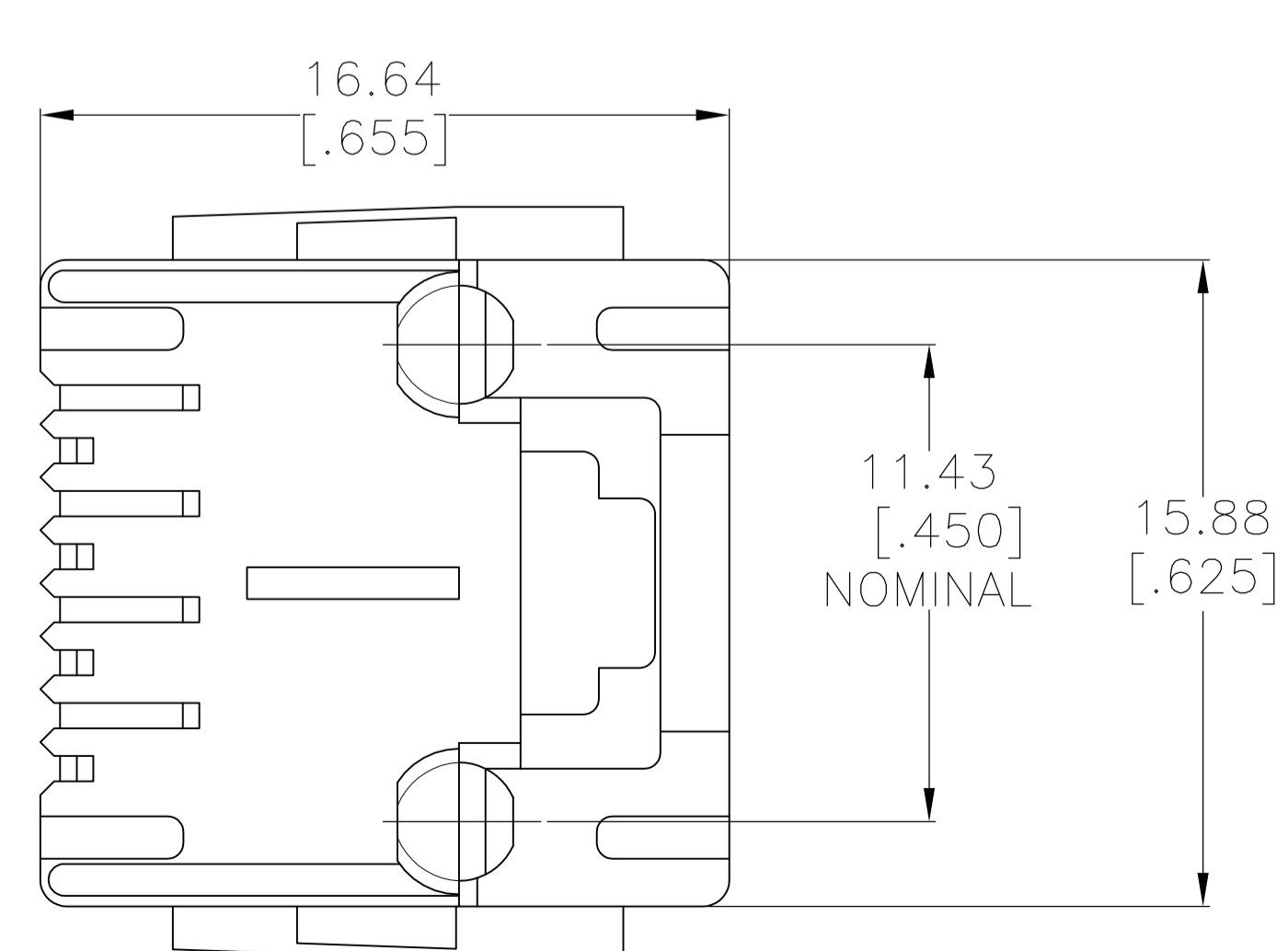
- MATERIAL: HOUSING- PBT POLYESTER, BLACK.  
TERMINAL- 0.35 [.0138] THICK PHOS BRONZE PLATED WITH 1.27μm [.000050] THICK HARD GOLD IN LOCALIZED GOLD PLATE AREA AND 2.03μm [.000080] THICK MATTE TIN IN SOLDER AREA OVER 1.27μm [.000050] THICK NICKEL UNDERPLATE.
- CAVITY CONFORMS TO FCC RULES AND REGULATIONS PART 68 AND REA BULLETIN 345-81, PE-76 SPECIFICATION FOR MODULAR TELEPHONE HARDWARE.
- ALL DIMENSIONS SHOWN ARE MAXIMUM UNLESS OTHERWISE SPECIFIED.



RECOMMENDED PANEL CUTOUT SCALE 4:1



RECOMMENDED PRINTED CIRCUIT BOARD LAYOUT COMPONENT SIDE SCALE 4:1



5520259-4  
PART NO

|  |   |   |                    |                   |                  |
|--|---|---|--------------------|-------------------|------------------|
| THIS DRAWING IS A CONTROLLED DOCUMENT. DIMENSIONING AND TOLERANCING PER ASME Y14.5M-2009 |   | DWG: R.GRZYBOWSKI 05MAY05<br>CHK: P.RECCCE 10SEPT2007<br>APPVD: S.FLICKINGER 10SEPT2007 | NAME: S.FLICKINGER | DATE: 10SEPT2007  | RESTRICTED TO: - |
| DIMENSIONS: mm [INCHES]  | TOLERANCES UNLESS OTHERWISE SPECIFIED:                                      | PRODUCT SPEC: 108-1163  |                    | SIZE: A1          | SCALE: 6:1       |
|  | 0 PLC ± -<br>1 PLC ± -<br>2 PLC ± -<br>3 PLC ± -<br>4 PLC ± -<br>ANGLES ± - | APPLICATION SPEC: 114-2048  |                    | DRAWING NO: 00779 | SHEET 1 OF 1     |
| MATERIAL: SEE NOTE 1   | FINISH: SEE NOTE 1  | WEIGHT: -   | CUSTOMER DRAWING   | REV: B2           |                  |