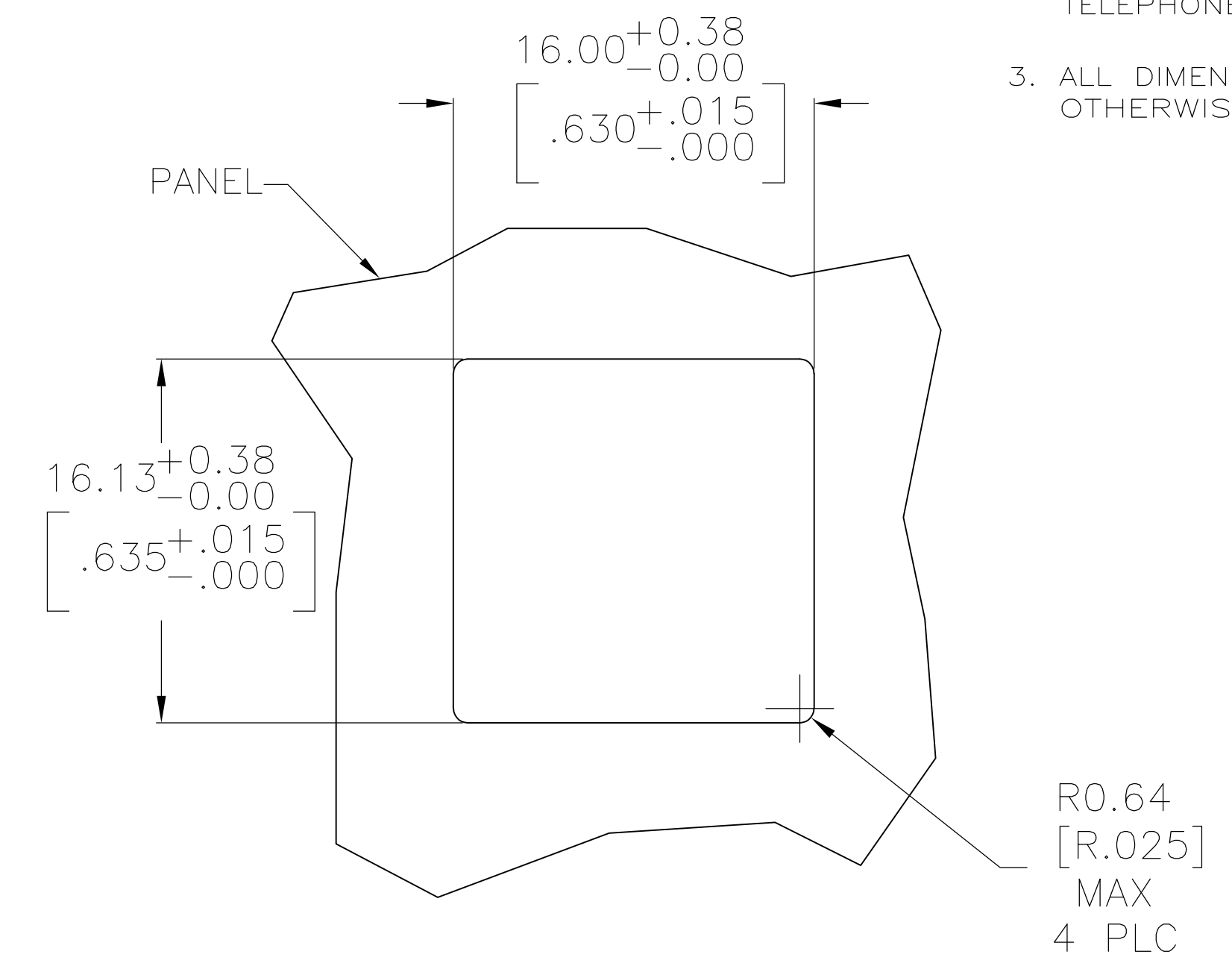
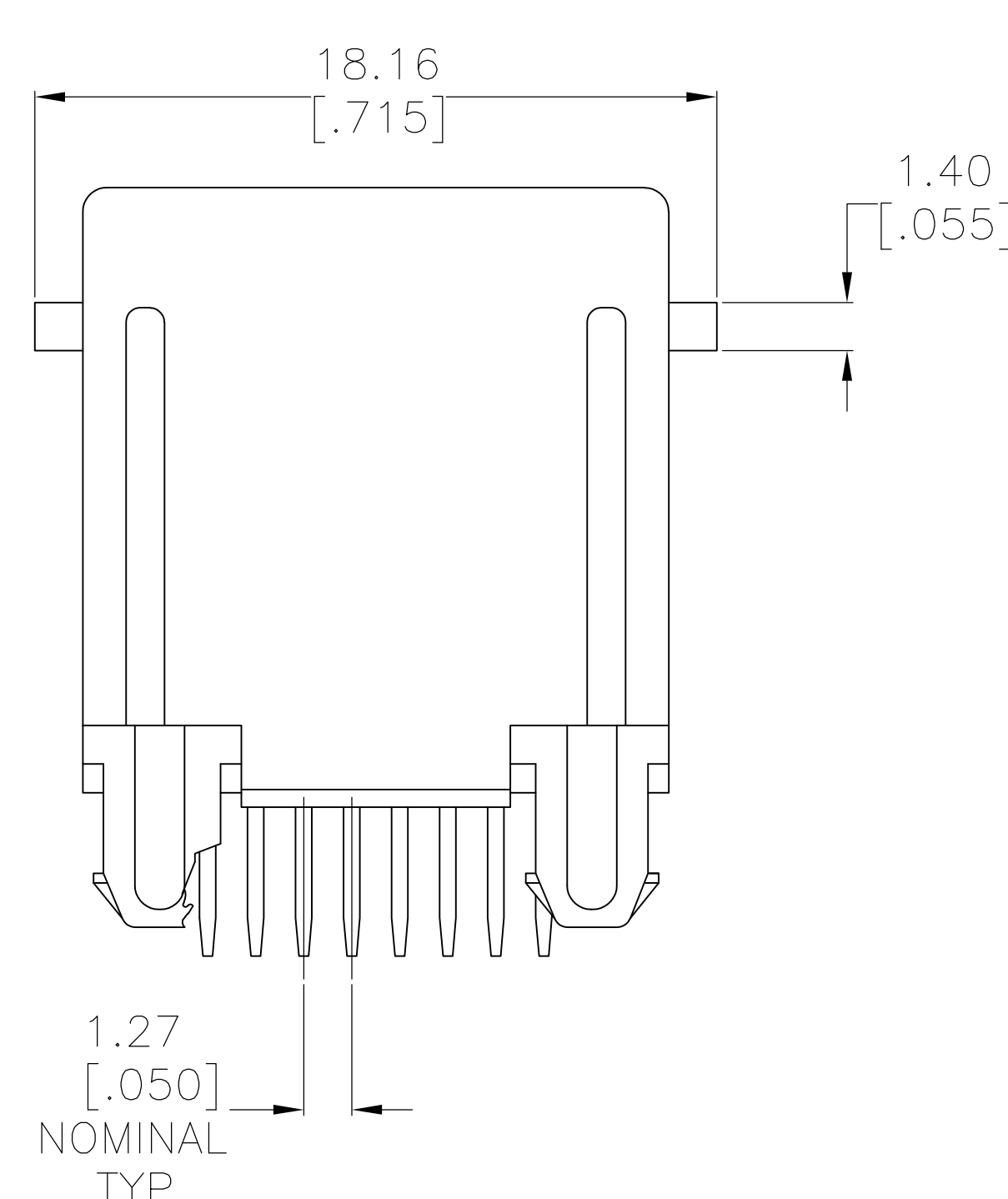
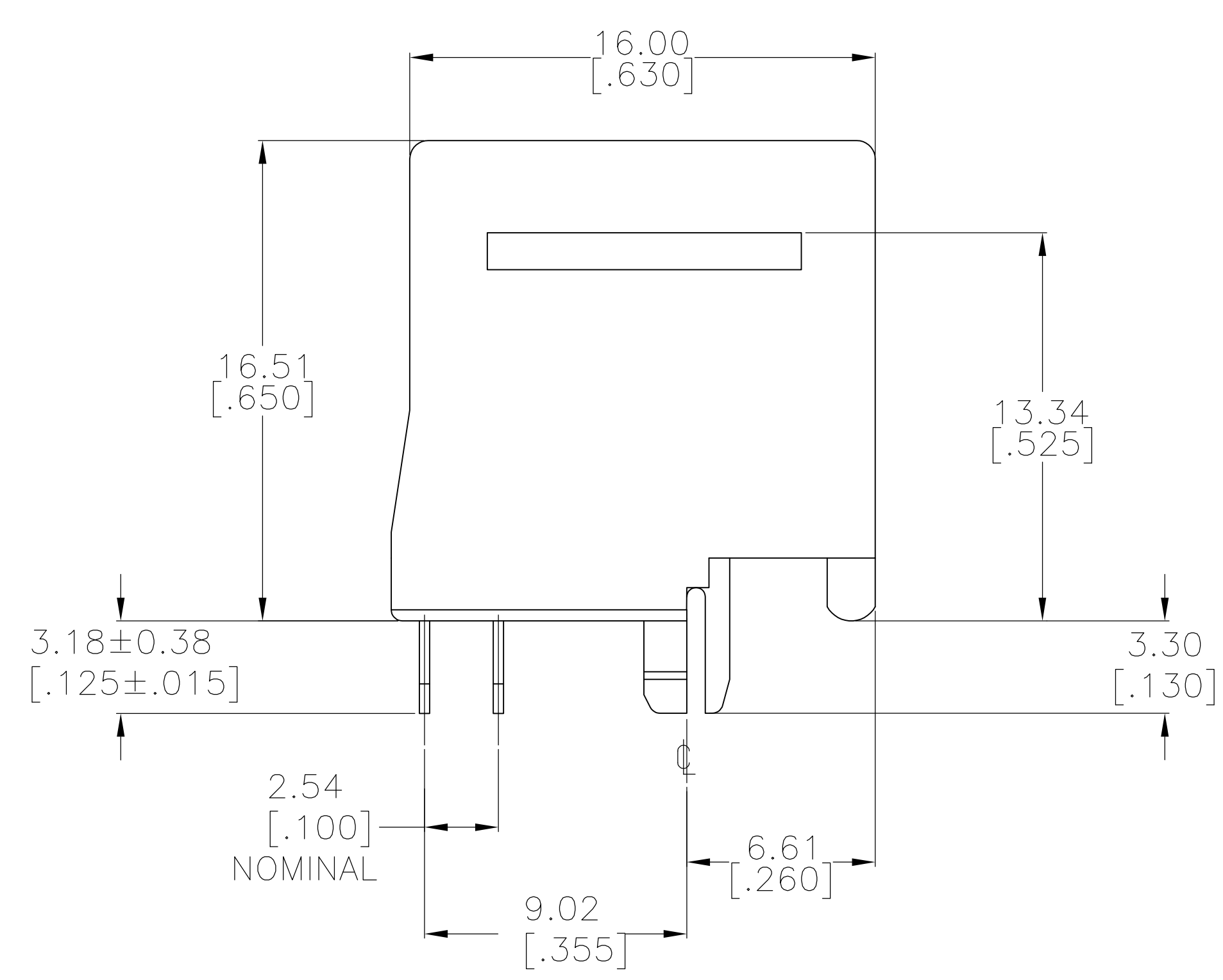
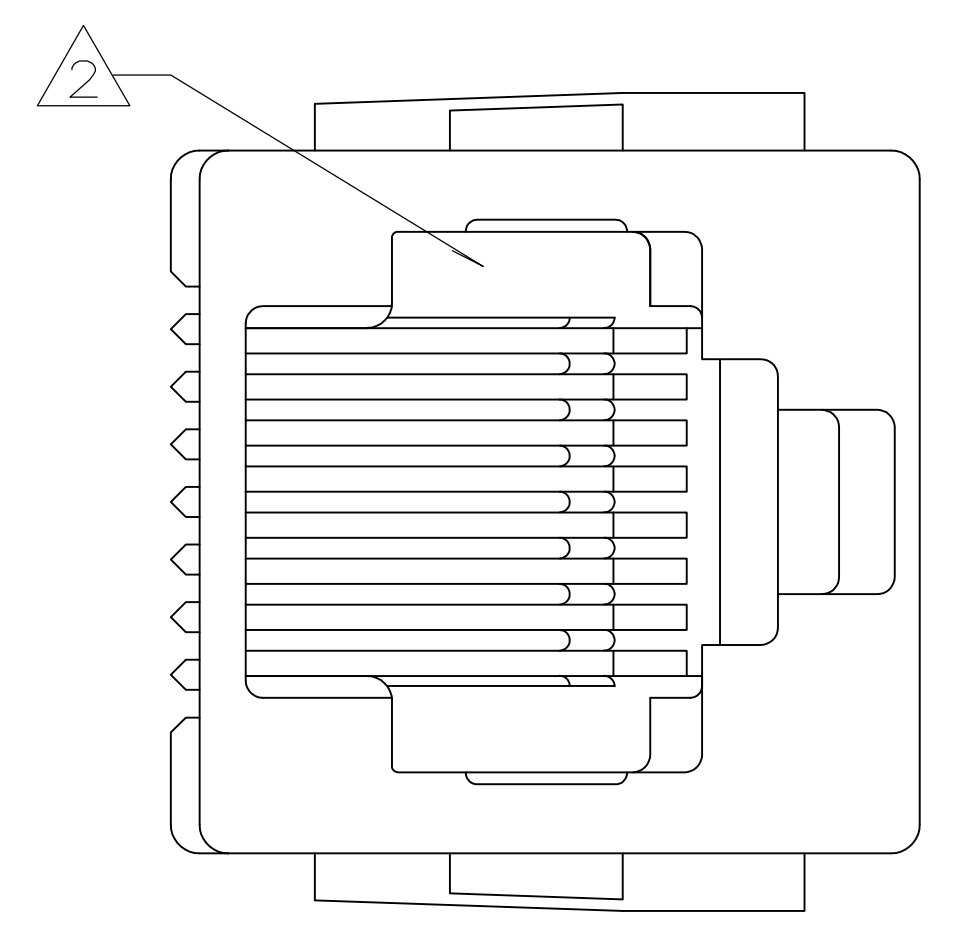
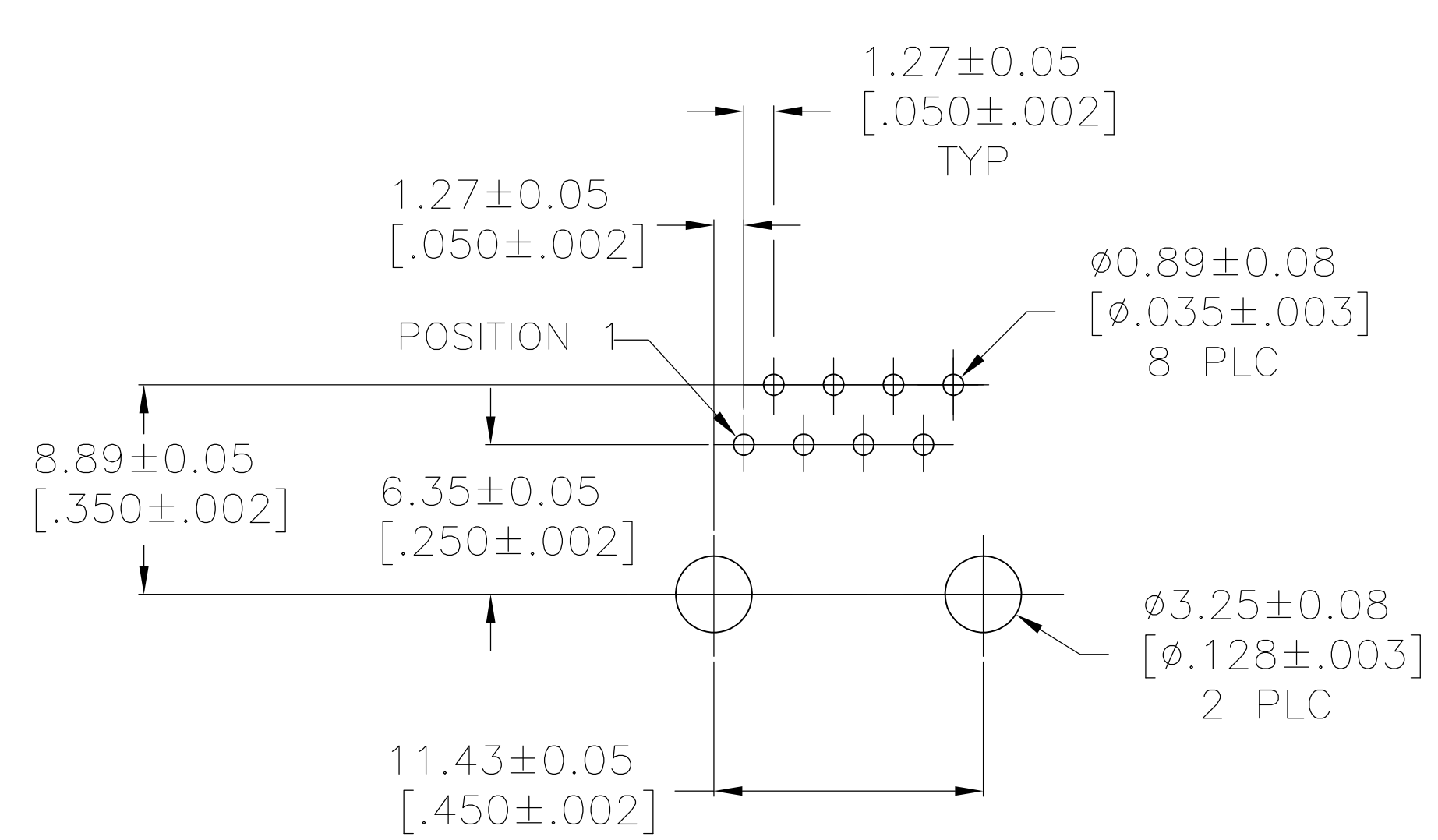


LOC		DIST		REVISIONS			
GP	00	P	LTR	DESCRIPTION	DATE	DMN	APVD
B2				REVISED PER ECO-12-014368	26SEP2012	CJV	PAR

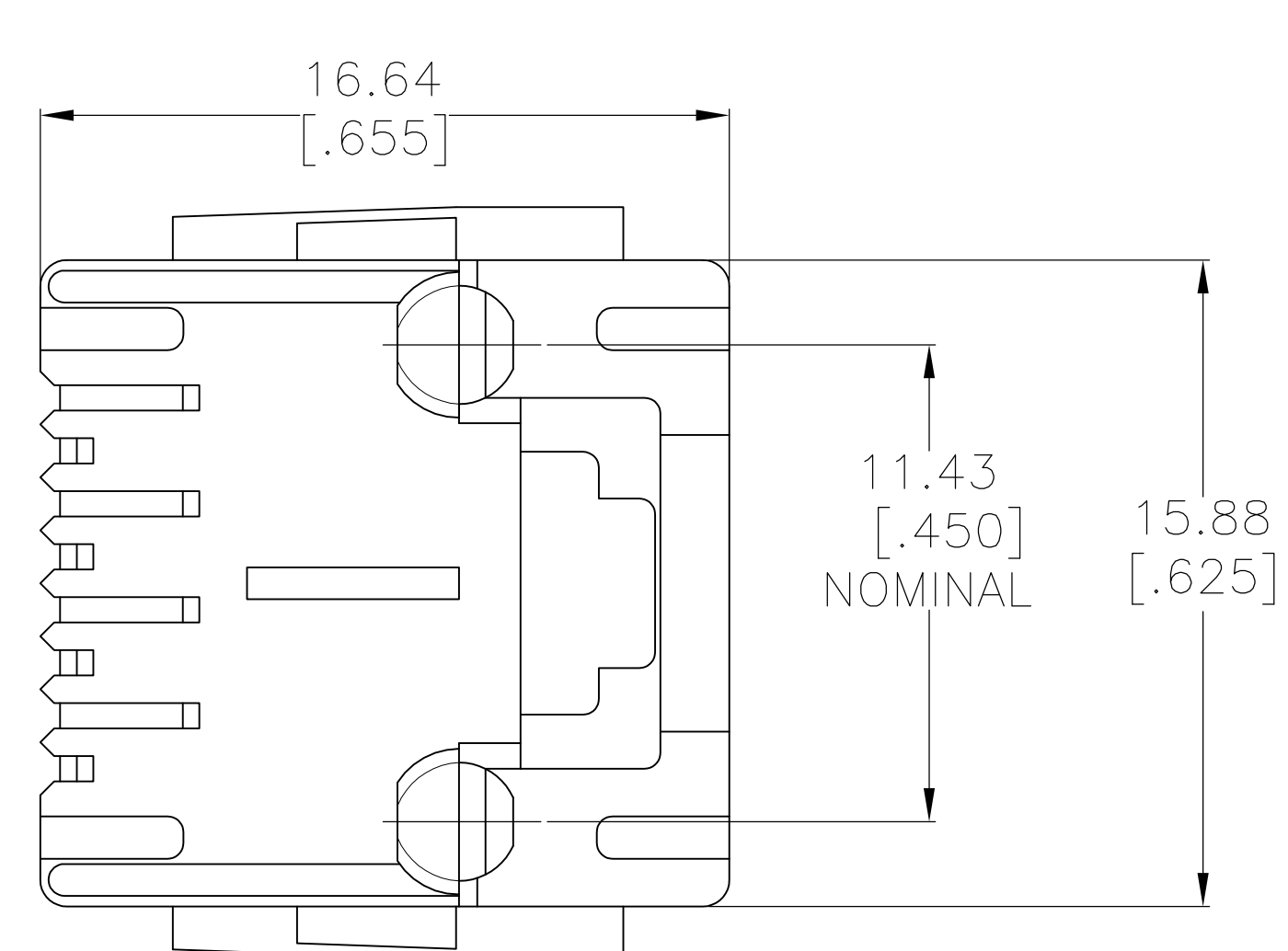
- MATERIAL: HOUSING- PBT POLYESTER, BLACK.
TERMINAL- 0.35 [.0138] THICK PHOS BRONZE PLATED WITH 1.27μm [.000050] THICK HARD GOLD IN LOCALIZED GOLD PLATE AREA AND 2.03μm [.000080] THICK MATTE TIN IN SOLDER AREA OVER 1.27μm [.000050] THICK NICKEL UNDERPLATE.
- CAVITY CONFORMS TO FCC RULES AND REGULATIONS PART 68 AND REA BULLETIN 345-81, PE-76 SPECIFICATION FOR MODULAR TELEPHONE HARDWARE.
- ALL DIMENSIONS SHOWN ARE MAXIMUM UNLESS OTHERWISE SPECIFIED.



RECOMMENDED PANEL CUTOUT SCALE 4:1



RECOMMENDED PRINTED CIRCUIT BOARD LAYOUT COMPONENT SIDE SCALE 4:1



5520259-4
PART NO

THIS DRAWING IS A CONTROLLED DOCUMENT. DIMENSIONING AND TOLERANCING PER ASME Y14.5M-2009		DRN R. GRZYBOWSKI 10SEPT2007	DSMAY05	TE Connectivity	
DIMENSIONS: mm [INCHES]		CHK P. RECCE 10SEPT2007	NAME S. FLICKINGER	MODULAR JACK ASSEMBLY, TOP ENTRY, 8 POSITION, FLANGELESS, WITH PANEL STOPS	
TOLERANCES UNLESS OTHERWISE SPECIFIED:		APVD	PRODUCT SPEC	108-1163	
0 PLC ± -		APPLICATION SPEC	114-2048	SIZE: A1 CAGE CODE: 00779 DRAWING NO: 5520259	
1 PLC ± -		RESTRICTED TO		SCALE: 6:1 SHEET 1 OF 1 REV B2	
2 PLC ± -					
3 PLC ± -					
4 PLC ± -					
ANGLES ± -					
MATERIAL SEE NOTE 1	FINISH SEE NOTE 1	WEIGHT			
CUSTOMER DRAWING					