

PLEASE CHECK WWW.MOLEX.COM FOR LATEST PART INFORMATION

Part Number: [42815-0032](#)
Status: **Active**
Overview: [Mini-Fit Sr.™ Power Connectors](#)
Description: [Mini-Fit Sr.™ Crimp Terminal, Female, 8 AWG Gold \(Au\)](#)

Documents:

[Drawing \(PDF\)](#) [Test Summary TS-42815-001 \(PDF\)](#)
[Product Specification PS-42815-001 \(PDF\)](#) [RoHS Certificate of Compliance \(PDF\)](#)
[Packaging Specification PK-42815-001 \(PDF\)](#)

General

Product Family	Crimp Terminals
Series	42815
Application	Power
Comments	High Current/Low Force
Crimp Quality Equipment	Yes
Overview	Mini-Fit Sr.™ Power Connectors
Product Name	Mini-Fit Sr.™
UPC	800756101101

Physical

Gender	Female
Material - Metal	High Performance Alloy (HPA)
Material - Plating Mating	Gold
Material - Plating Termination	Tin
Net Weight	1.530/g
Packaging Type	Reel
Plating min - Mating	0.762µm
Plating min - Termination	2.540µm
Termination Interface: Style	Crimp or Compression
Wire Insulation Diameter	6.60mm max.
Wire Size AWG	12+12, 8
Wire Size mm²	N/A

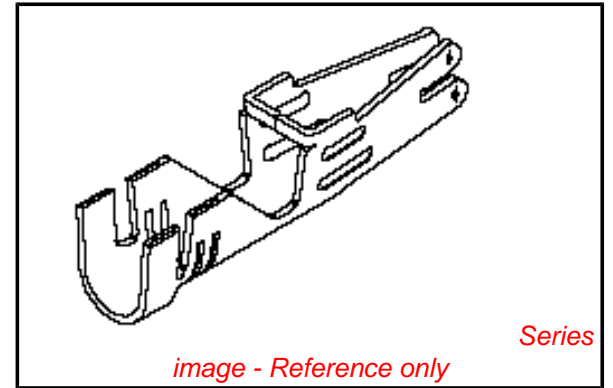
Electrical

Current - Maximum per Contact	50A
-------------------------------	-----

Material Info

Reference - Drawing Numbers

Packaging Specification	PK-42815-001
Product Specification	PS-42815-001, RPS-42815-001, RPS-42815-011, RPS-42815-012, RPS-42815-013, RPS-42815-014, RPS-42815-015
Sales Drawing	SD-42815-*
Test Summary	TS-42815-001



EU RoHS

**ELV and RoHS
Compliant**

REACH SVHC

Not Reviewed

Low-Halogen Status

Low-Halogen

China RoHS



**Need more information on product
environmental compliance?**

Email productcompliance@molex.com
 For a multiple part number RoHS Certificate of
 Compliance, [click here](#)

Please visit the [Contact Us](#) section for any
 non-product compliance questions.

Search Parts in this Series

[42815Series](#)

Application Tooling | FAQ

*Tooling specifications and manuals are
 found by selecting the products below.
 Crimp Height Specifications are then
 contained in the Application Tooling
 Specification document.*

Global

Description	Product #
Manual Extraction Tool	0638130400
Mini-Mac™ Applicator for Terminals	0638919500
Hand Crimper - SPECIAL INSULATION CRIMP	0638111500
Mini-Mac™ Applicator	0638911000

Japan

Description	Product #
-------------	-----------

Side-Feed Applicator 0573983200
For Full-Auto
Machine

This document was generated on 01/15/2015

PLEASE CHECK WWW.MOLEX.COM FOR LATEST PART INFORMATION