

PLEASE CHECK WWW.MOLEX.COM FOR LATEST PART INFORMATION

Part Number: [42815-0032](#)
Status: **Active**
Overview: [Mini-Fit Sr.™](#)
Description: Mini-Fit Sr.™ Crimp Terminal, Female, 8 AWG Gold (Au)

Documents:

[Drawing \(PDF\)](#) [Test Summary TS-42815-001 \(PDF\)](#)
[Product Specification PS-42815-001 \(PDF\)](#) [RoHS Certificate of Compliance \(PDF\)](#)

General

Product Family Crimp Terminals
 Series [42815](#)
 Application Power
 Comments High Current/Low Force
 Crimp Quality Equipment Yes
 Overview [Mini-Fit Sr.™](#)
 Product Name Mini-Fit Sr.™
 UPC 800756101101

Physical

Gender Female
 Material - Metal High Performance Alloy (HPA)
 Material - Plating Mating Gold
 Material - Plating Termination Tin
 Net Weight 1.530/g
 Packaging Type Reel
 Plating min - Mating 0.762µm
 Plating min - Termination 2.540µm
 Termination Interface: Style Crimp or Compression
 Wire Insulation Diameter 6.60mm max.
 Wire Size AWG 12+12, 8
 Wire Size mm² N/A

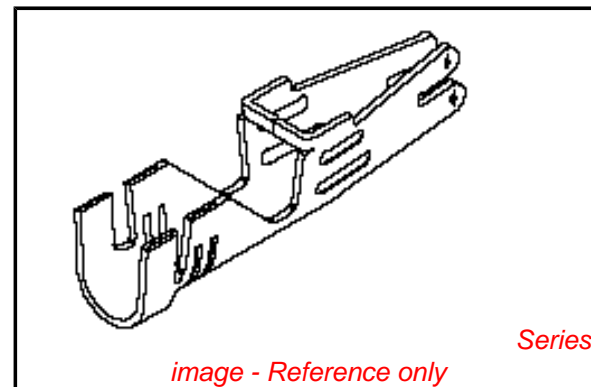
Electrical

Current - Maximum per Contact 50A

Material Info

Reference - Drawing Numbers

Product Specification PS-42815-001, RPS-42815-001, RPS-42815-011,
 RPS-42815-012, RPS-42815-013, RPS-42815-014,
 RPS-42815-015
 Sales Drawing SD-42815-
 Test Summary TS-42815-001



EU RoHS

**ELV and RoHS
 Compliant**

REACH SVHC

**Contains SVHC: No
 Low-Halogen Status
 Low-Halogen**

China RoHS



**Need more information on product
 environmental compliance?**

Email productcompliance@molex.com
 For a multiple part number RoHS Certificate of
 Compliance, [click here](#)

Please visit the [Contact Us](#) section for any
 non-product compliance questions.

Search Parts in this Series

[42815Series](#)

Application Tooling | FAQ

*Tooling specifications and manuals are
 found by selecting the products below.
 Crimp Height Specifications are then
 contained in the Application Tooling
 Specification document.*

Global

Description	Product #
Mini-Mac™ Applicator for Terminals	0638919500
Manual Extraction Tool	0638130400
Hand Crimper - SPECIAL INSULATION CRIMP	0638111500
Mini-Mac™ Applicator	0638911000

Japan

Description	Product #
-------------	-----------

Side-Feed Applicator 0573983200
For Full-Auto
Machine

This document was generated on 02/11/2013

PLEASE CHECK WWW.MOLEX.COM FOR LATEST PART INFORMATION