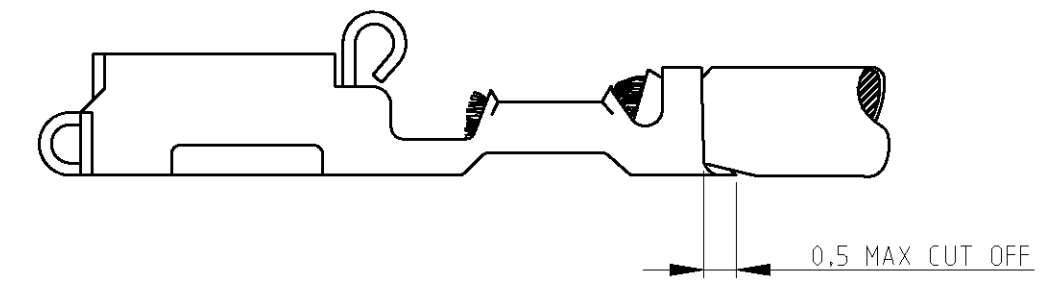
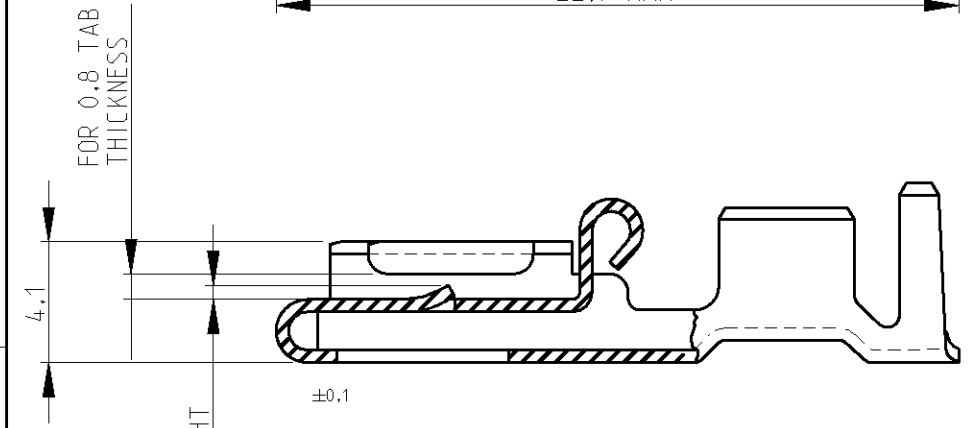
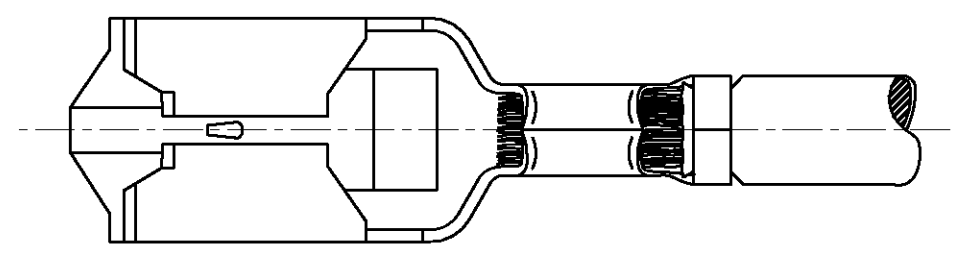
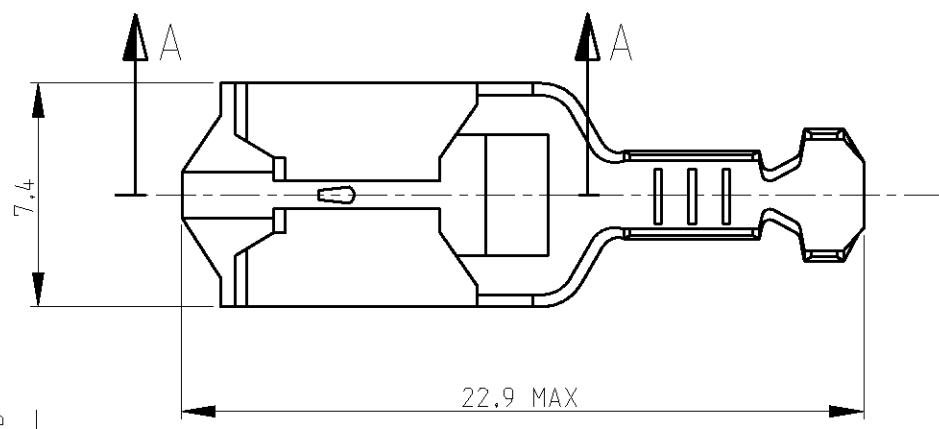


THIS DRAWING IS UNPUBLISHED. RELEASED FOR PUBLICATION
 © COPYRIGHT BY TYCO ELECTRONICS CORPORATION. ALL RIGHTS RESERVED.

LOC	DIST	REVISIONS			
P	LTR	DESCRIPTION	DATE	DWN	APVD
AL	2				
	D	REVISED PER ES00-0040-02	02APR02	JL	JL
	E	REVISED ES00-0142-02	22OCT2002	JL	JL
	F	REVISED BY ECN 05-0095	12JAN06	J.L	J.L



SECTION A-A

OBSOLETE	STRIP NO.	FINISH	MATERIAL	PARTNUMBER
	2-160759-7	TIN-LEAD	PH.BRONZE	1-160773-1
	2-160759-1	NICKEL PLATED	PH.BRONZE	1-160773-0
	160759-8	HOT DIP PRETIN.	PH.BRONZE	0-160773-7
	160759-7	HOT DIP PRETIN.	BRASS	0-160773-6
	160759-5	PRETINNED	PH.BRONZE	0-160773-5
	160759-4	TIN PLATED	PH.BRONZE	0-160773-4
	160759-3	TIN PLATED	BRASS	0-160773-3
	160759-2	UNPLATED	PH.BRONZE	0-160773-2
	160759-1	UNPLATED	BRASS	0-160773-1

WIRE SIZE	INS. RANGE
0,5-1,5 mm ²	2,3-3,3 mm dia

THIS DRAWING IS A CONTROLLED DOCUMENT FOR TYCO ELECTRONICS CORPORATION. IT IS SUBJECT TO CHANGE AND THE CONTROLLING ENGINEERING ORGANIZATION SHOULD BE CONTACTED FOR THE LATEST REVISION.

DIMENSIONS: mm	TOLERANCES UNLESS OTHERWISE SPECIFIED: 0 PLC ± 1 PLC ± 2 PLC ±GENERAL 3 PLC ±TOLERANCE 4 PLC ±0,3 ANGLES ±30'	DWN J.LAZARO 02APR02 CHK J.LAZARO 02APR02 APVD - PRODUCT SPEC 108-3017 APPLICATION SPEC 114-2153 WEIGHT -	Tyco Electronics AMP España, S.A. Barcelona, Spain.
MATERIAL see table	FINISH see table	CUSTOMER DRAWING	NAME POSITIVE LOCK RECEPTACLE MK1 LOOSE PIECE SIZE A3 CAGE CODE 00779 DRAWING NO C=160773 RESTRICTED TO - SCALE - SHEET 1 OF 1 REV F