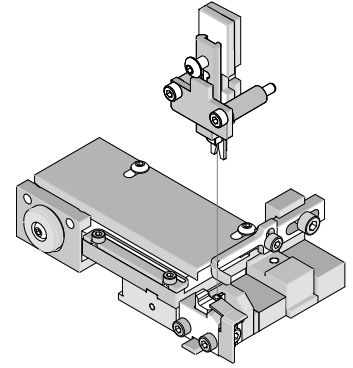




T2 Terminator Tooling Specification Sheet Part No. 63911-2800



FEATURES

- It is ideally suited for mid-volume bench operations
- This terminator can be installed in the TM42 and the TM40 press or Base Unit adapter for 3BF press
- Quick punch removal with the push of a button for fast and easy tooling change
- Track adjustment capabilities in the T2 Terminators for improved control of the bell mouth size and cutoff tab length
- T2 Terminator has standardized tooling with the Molex FineAdjust Applicator which will reduce your inventory requirements

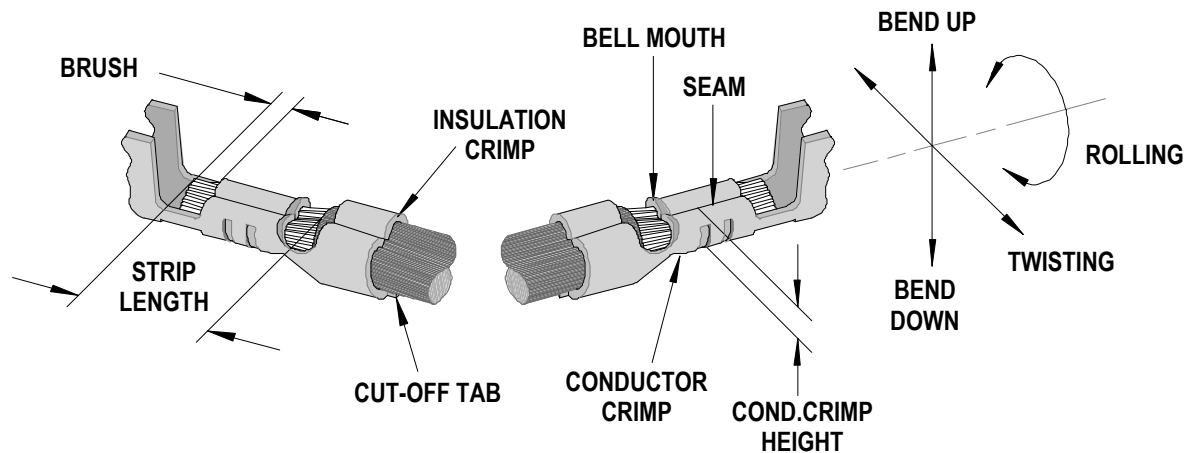
SCOPE

Products: Sabre™ Flat Blade Crimp Terminal-18-20 AWG, UL1056 and SPT-3 wires.

Terminal Series No.	Terminal Order No.	Wire Size		*Insulation Diameter		Strip Length	
		AWG	mm ²	mm	In.	mm	In.
43374	43374-3001	18-20	0.80-0.50	3.98-4.57	.157-.180	3.96-5.54	.156-.218
43375	43375-3001	18-20	0.80-0.50	3.98-4.57	.157-.180	3.96-5.54	.156-.218

*Insulation crimp to meet IPC/WHMA-A-620 Class 2 compliance.
 Note: Terminal will accommodate the UL1056 and SPT-3 wires.
 For UL1015 wires use Terminator 63911-2700.
 SPT-3 wire is only available in 18 AWG.

DEFINITION OF TERMS



The above terminal drawing is a generic terminal representation. It is not an image of a terminal listed in the scope.

CRIMP SPECIFICATION

Terminal Series No.	Bell mouth		Cut-off Tab Maximum		Conductor Brush Maximum	
	mm	In.	mm	In.	mm	In.
43374	0.20-0.50	.008-.020	0.30	.012	0.76	.030
43375						

Terminal Series No.	Bend up	Bend down	Twist	Roll	Punch Width (Ref)				Seam
					Conductor		Insulation		
	Degree (Max)		Degree (Max)		mm	In	mm	In	
43374	3	3	4	8	2.00	.079	4.80	.189	Seam shall not be open and no wire allowed out of the crimping area
43375									

After crimping, the conductor profile should measure the following.

Terminal Series No.	Wire Size		Conductor Crimp Height		Insulation Crimp Height (Ref)		Pull Force Minimum	
	AWG	mm ²	mm	In.	mm	In.	N	Lb.
43374	18	0.80	1.16-1.26	.046-.050	4.20	.165	89.0	20.00
	20	0.50	1.10-1.20	.043-.047	3.90	.154	57.9	13.00
43375	18	0.80	1.16-1.26	.046-.050	4.20	.165	89.0	20.00
	20	0.50	1.10-1.20	.043-.047	3.90	.154	57.9	13.00

Note: SPT-3 wire is only available in 18 AWG.

Pull Force should be measured with no influence from the insulation crimp.
 The above specifications are guidelines to an optimum crimp.

PARTS LIST

T2 Terminator 63911-2800				
Item	Order No	Engineering No.	Description	Quantity
Perishable Tooling				
	63911-2870	63911-2870	Tool Kit (All "Y" Items)	REF
1	63444-2025	63444-2025	Conductor Punch	1 Y
2	63445-2055	63445-2055	Conductor Anvil	1 Y
3	63446-4813	63446-4813	Insulation Punch	1 Y
4	63445-4811	63445-4811	Insulation Anvil	1 Y
5	63443-0035	63443-0035	Front Cut-Off Plunger	1 Y
6	63443-0036	63443-0036	Front Plunger Retainer	1 Y
Other Components				
7	11-18-4083	60707-8	Feed Guide	1
8	63443-0009	63443-0009	Scrap Chute	1
9	63443-0024	63443-0024	Key	1
10	63443-0085	63443-0085	Wire Stop L-Bracket	1
11	63443-0090	63443-0090	Wire Stop	1
12	63443-1718	63443-1718	18.80mm Spacer	1
13	63443-2215	63443-2215	15.00mm Spacer	1
14	63443-2302	63443-2302	3.10mm Spacer	1
15	63443-2801	63443-2801	Front Plunger Striker	1
16	63443-2913	63443-2913	Wire Hold Down Plunger	1
17	63443-6013	63443-6013	Rear Cover	1
18	63443-7201	63443-7201	Spring Cover	1
19	63600-1057	63600-1057	Striker Plunger Spring	1
20	63600-2972	63600-2972	Collar	2
21	63700-0539	63700-0539	Cut-Off Plunger Spring	1
Frame				
22	63800-8500	63800-8500	T2 Terminator	1
Hardware				
23	N/A	N/A	M3 by 6 Long SHCS	2**
24	N/A	N/A	M3 by 6 Long FHCS	1**
25	N/A	N/A	M4 by 6 Long SHCS	2**
26	N/A	N/A	M4 by 12 Long BHCS	2**
27	N/A	N/A	M4 by 14 Long SHCS	2**
28	N/A	N/A	M4 by 30 Long SHCS	2**
29	N/A	N/A	M4 by 50 Long SHCS	2**
30	N/A	N/A	M5 by 12 Long SHCS	1**
31	N/A	N/A	#10-32 by 3/8" Long BHCS	1**
** Available from an industrial supply company such as MSC (1-800-645-7270).				

Assembly Drawing

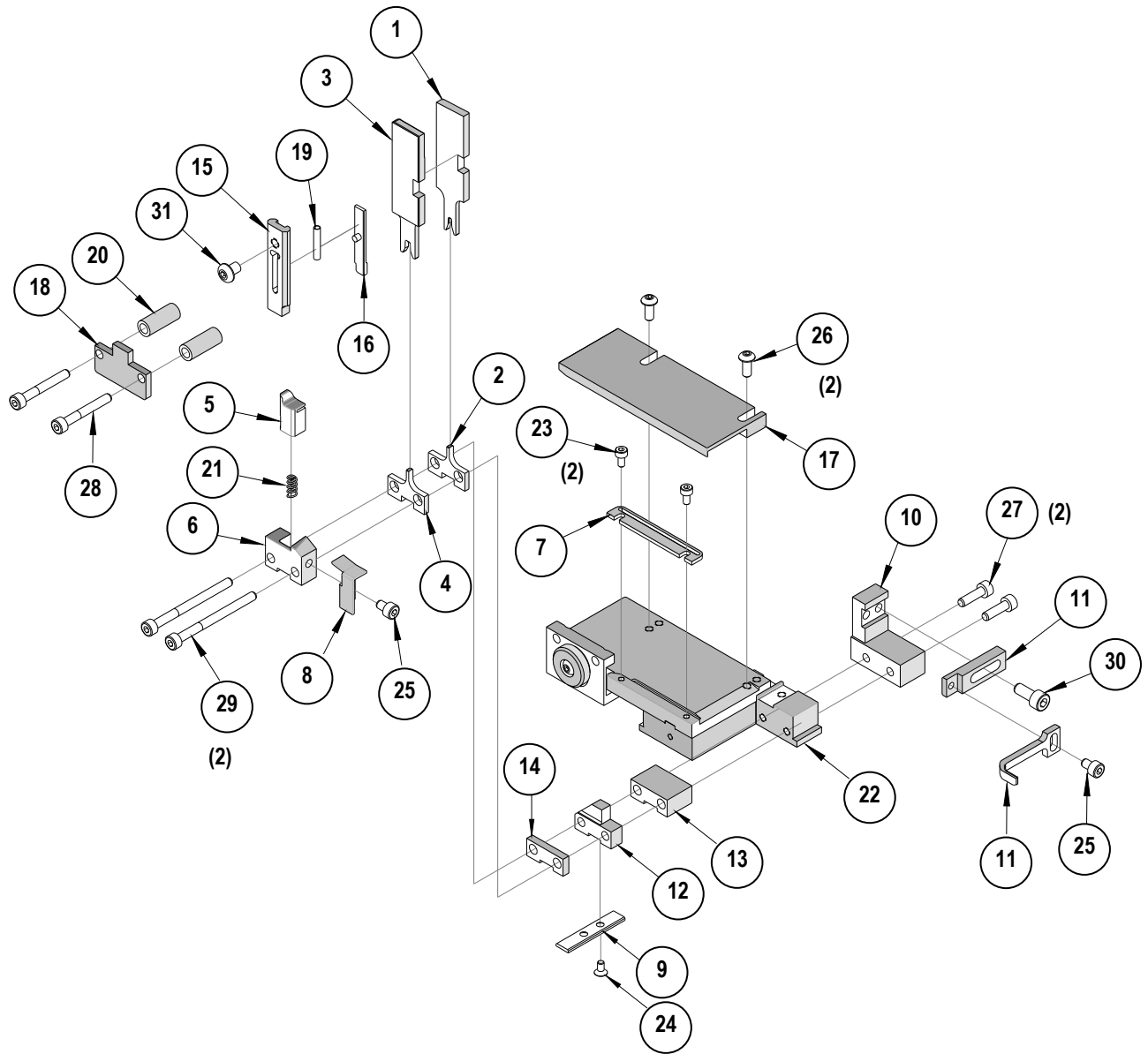


Figure 1

NOTES

Depending on the press vintage a feed finger assembly is supplied with the T2 Terminator.

1. To remove the existing feed finger assembly loosens the M4 x 10 mm set screw in the feed lever.
2. Select T2 Feed finger assembly from Terminator box.
3. Insert a screwdriver into the slot behind the feed lever and force the feed arm spring to the right.
4. Slide the T2 feed finger shaft for TM42 (11-40-5307) or (11-40-0123) for TM40 /Base Unit into the feed lever and to the left of the feed arm spring.
5. Release the feed arm spring.
6. Position feed finger for selected product. (Refer to Figure 5.1 in the T2 Manual).

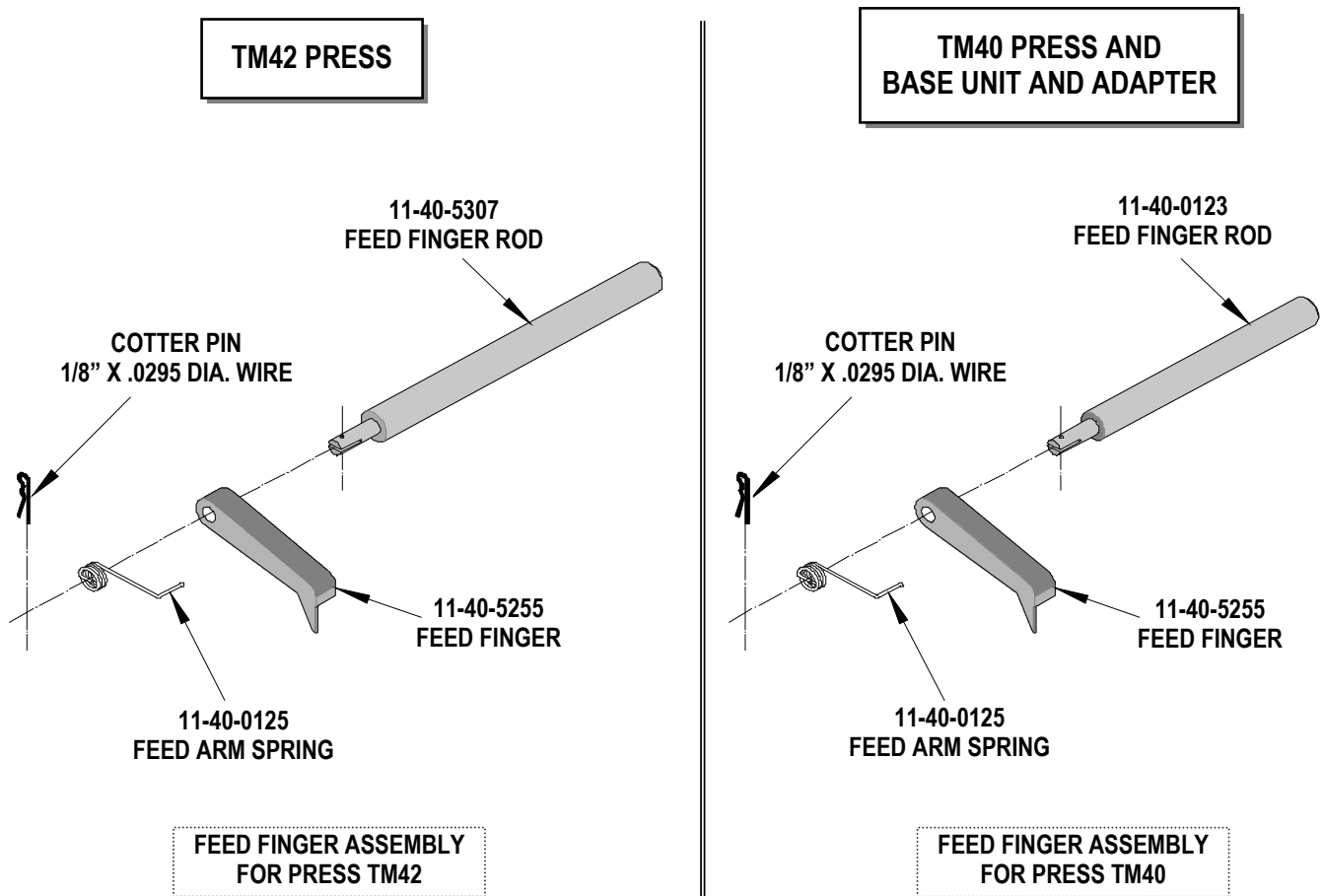


Figure 2

NOTES

1. Molex recommends an extra perishable tooling kit be maintained at your facility.
2. Verify tooling alignment by manually cycling the press before crimping under power. Check that all screws are tight.
3. Slugs, Terminals, Dirt and Oil should be kept clear of work area.
4. This Terminator should be only used in a Molex TM42, TM40, or 3BF Press with a Base Unit adaptor.
5. Wear safety glasses at all times.
6. For recommended maintenance refer to the TM40, TM42 Manual.

CAUTION: To prevent injury never operate this Terminator without the guards supplied with the press or in place. Reference the TM42 press manufacturer's instruction manual.

CAUTION: Molex crimp specifications are valid only when used with Molex terminals, applicators and tooling.

Americas Headquarters
Lisle, Illinois 60532 U.S.A.
1-800-78MOLEX
amerinfo@molex.com

Far East North Headquarters
Yamato, Kanagawa, Japan
81-462-65-2324
feninfo@molex.com

Far East South Headquarters
Jurong, Singapore
65-6-268-6868
fesinfo@molex.com

European Headquarters
Munich, Germany
49-89-413092-0
eurinfo@molex.com

Corporate Headquarters
2222 Wellington Ct.
Lisle, IL 60532 U.S.A.
630-969-4550
Fax: 630-969-1352

Visit our Web site at <http://www.molex.com>

Mouser Electronics

Authorized Distributor

Click to View Pricing, Inventory, Delivery & Lifecycle Information:

[Molex:](#)

[63911-2870](#)