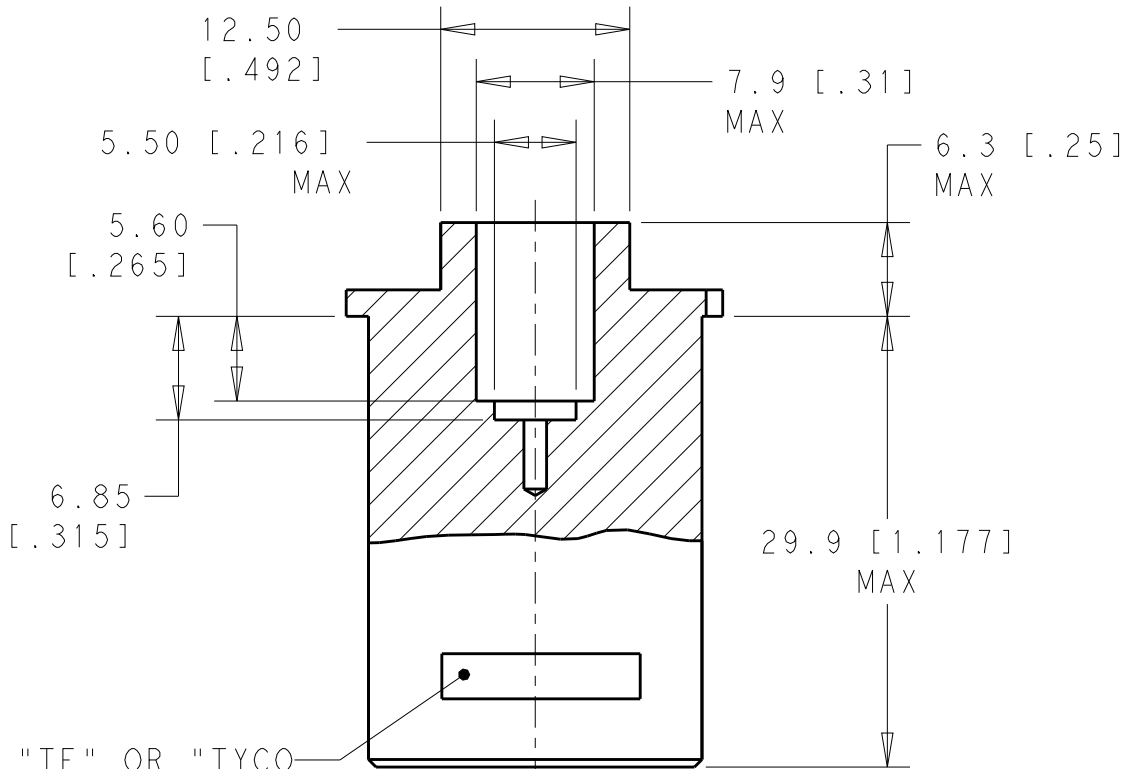
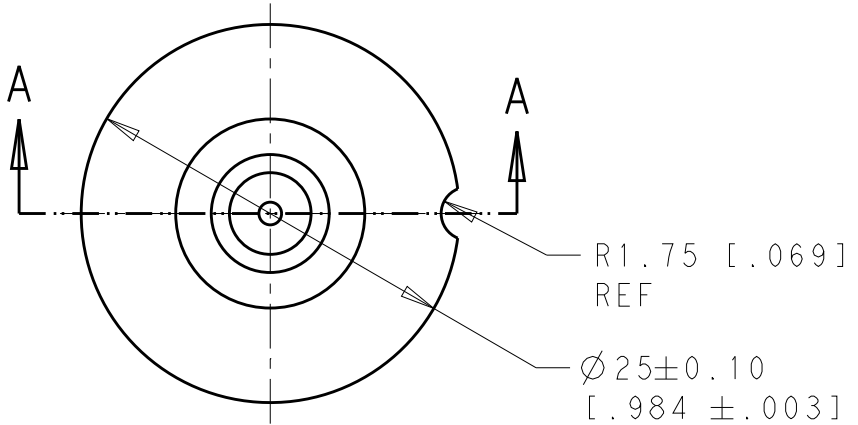


REVISIONS					
P	LTR	DESCRIPTION	DATE	DWN	APVD
	A	REVISED PER ECO-14-003109	12NOV2014	MGM	CT
	B	REVISED PER ECO-17-013524	14SEP2017	KM	CD



"TE" OR "TYCO ELECTRONICS" & TE PART NO. MARKED IN THIS AREA

SECTION A - A

1738331-1
TE PART NO.

20
 RELEASED FOR PUBLICATION
 ALL RIGHTS RESERVED.
 BY -
 COPYRIGHT 20

DIMENSIONS: mm [INCHES]		DWN MANJUNATH G M 12NOV2014	MATERIAL ALUMINIUM ALLOY	FINISH WHITE ANODIZED
TOLERANCES UNLESS OTHERWISE SPECIFIED: 0 PLC ±- 1 PLC ±- 2 PLC ±0.05 3 PLC ±- 4 PLC ±- ANGLES ±-		CHK CHARLES THOMAS 12NOV2014	TE Connectivity	
		APVD CHARLES THOMAS 12NOV2014		
		PRODUCT SPEC -	NAME GPR CONTACT CRIMPING POSITIONER	
		APPLICATION SPEC -	SIZE A 4	CAGE CODE -
		WEIGHT -	DRAWING NO C-1738331	RESTRICTED TO -
CUSTOMER DRAWING			SCALE 2:1	SHEET 1 OF 1
			REV B	

Mouser Electronics

Authorized Distributor

Click to View Pricing, Inventory, Delivery & Lifecycle Information:

[TE Connectivity:](#)

[1738331-1](#)