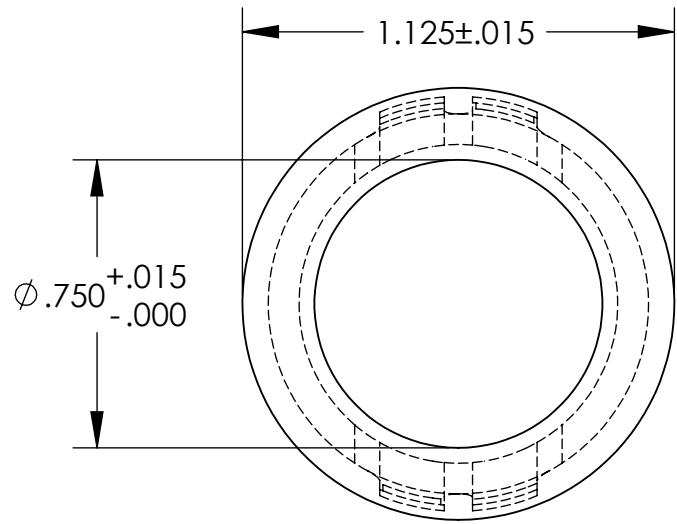
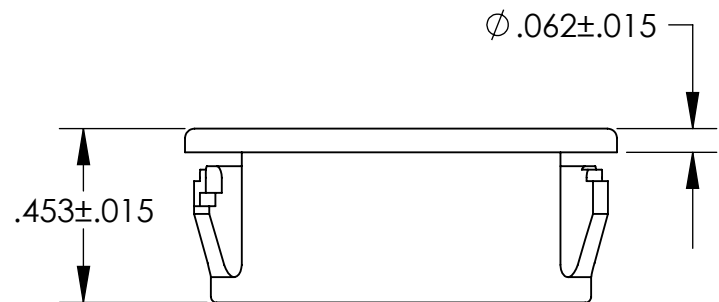
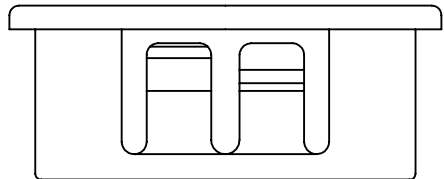


**UNCONTROLLED DOCUMENT**



NOTES:  
HOLE SIZE: 1.000  
MAXIMUM PANEL THICKNESS: .125  
MATERIAL: HEAT STABILIZED NYLON 6; BLACK



TOLERANCES UNLESS NOTED

- ±.005 ON DIMENSIONS THRU .625
- ±.008 ON DIMENSIONS .626 THRU 1.000
- ±.010 ON DIMENSIONS 1.001 THRU 1.500
- ±.015 ON DIMENSIONS LARGER THAN 1.500
- ±.015 ON FRACTIONAL DIMENSIONS

**WE RESERVE THE RIGHT  
TO DISCONTINUE ITEMS,  
CHANGE SPECIFICATIONS  
OR DESIGN AT ANY TIME  
WITHOUT NOTICE AND  
WITHOUT INCURRING  
ANY OBLIGATIONS**

PROPERTY OF  
**MICRO PLASTICS INC.**

CATALOG DRAWING  
STANDARD INSULATING BUSHING  
MICRO P/N 22MP10012  
DWG. # 22MP10012  
FILE SERVER\ENG\WEB

MATERIAL:		AS NOTED
DATE	SCALE	<b>JDD</b>
	2:1	

# Mouser Electronics

Authorized Distributor

Click to View Pricing, Inventory, Delivery & Lifecycle Information:

Essentra:

[22MP10012](#) [22MP10012W](#)