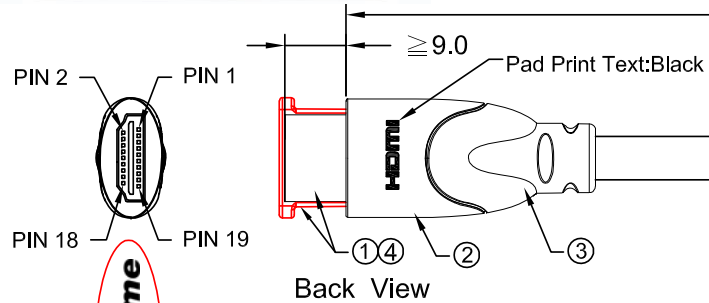
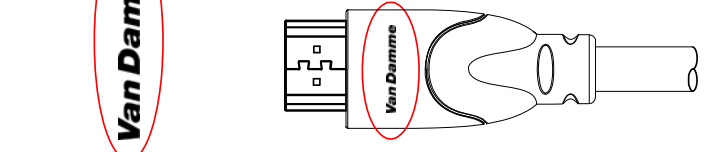




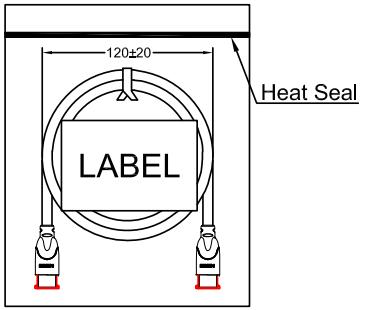
REV.	REVISED DESCRIPTION	DATE	CHECKED
A1	FIRST RELEASE	2012/08/14	



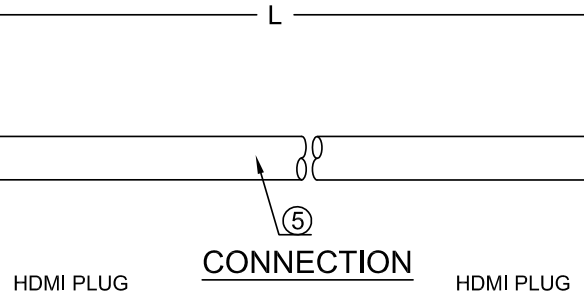
Back View



HANK SIZE

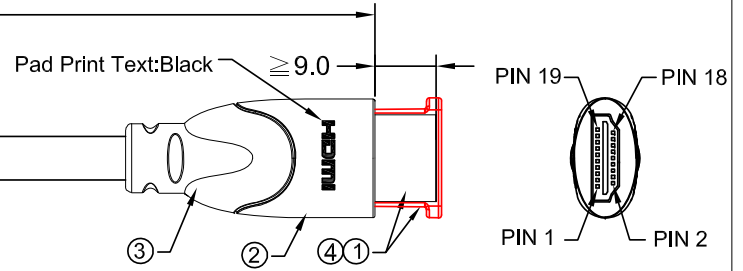


Packing:1PC/PE BAG



CONNECTION

HDMI PLUG		HDMI PLUG
2	D.W	D.W
1	Blue T.M.D.S Data 2 +	Blue
3	White T.M.D.S Data 2 -	White
5	D.W	D.W
4	Red T.M.D.S Data 1 +	Red
6	White T.M.D.S Data 1 -	White
8	D.W	D.W
7	Green T.M.D.S Data 0 +	Green
9	White T.M.D.S Data 0 -	White
11	D.W	D.W
10	Brown T.M.D.S Clock +	Brown
12	White T.M.D.S Clock -	White
17	D.W	D.W
14	Orange Utility/HEAC+	Orange
19	White HPD/HEAC-	White
13	Red CEC	Red
15	Orange SCL	Orange
16	Yellow SDA	Yellow
18	White +5V Power	White
Shell	Braid Shield	Braid Shield Shell



LABEL SPECIFICATION



RS CODE	PART NO	LENGTH(L)	HANK SIZE(H)
7682185	104-102-401HE	1000±30	∅120±20mm
7682189	104-104-402HE	2000±50	

ELECTRIC TESTING:

1. 100% OPEN & SHORT TESTING
2. INSULATION RESISTANCE: $\geq 20 \text{ M}\Omega$
3. CONDUCTOR RESISTANCE: $\leq 5 \Omega$
4. VOLTAGE: 300V DC/0.1s

ITEM	SPECIFICATION
5	Cable Spec: {[(7/0.10Tc+F.PE)*1P+7/0.10Tc+AL/Mylar]*5+(7/0.10Tc+PE)*4C +FILLER+AL.F+16/10/0.10Tc 85%}*1C OD: 6.0±0.15mm Black PVC Jacket PRINTED WITH WHITE TEXT:VAN DAMME DEEP COLOUR High Speed HDMI® Cable With Ethernet
4	PLASTIC CAP-TRANSPARENT(OPT-110-024)
3	BLACK - PVC(M01-011-060 / CYT-1044)
2	Metal With Nickel Plated(OMT-050-042)
1	HDMI Plug - Gold Plated(P37-0027G-00)

TOLERANCES UNLESS OTHERWISE STATED	
X.	= ± 1
.X	= ± 0.2
.XX	= ± 0.1

ERP NO.:	A00-00800-0***	PART NO	
DOC No.:	EAV-008-10***	REVISION	A1
CUSTOMER:		UNIT	mm
CUSTOMER P/N:	104-1**-40*	SCALE	NO
DESCRIPTION	HDMI PLUG TO HDMI PLUG	PAGE NO	1/1
APPROVAL		DATE	2012.08.14
CHECKED		DRAWN	louis 曾