

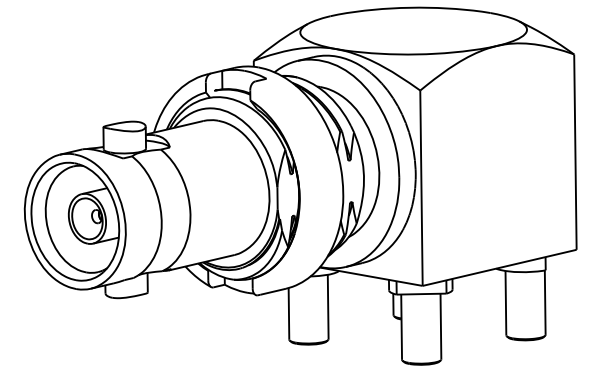
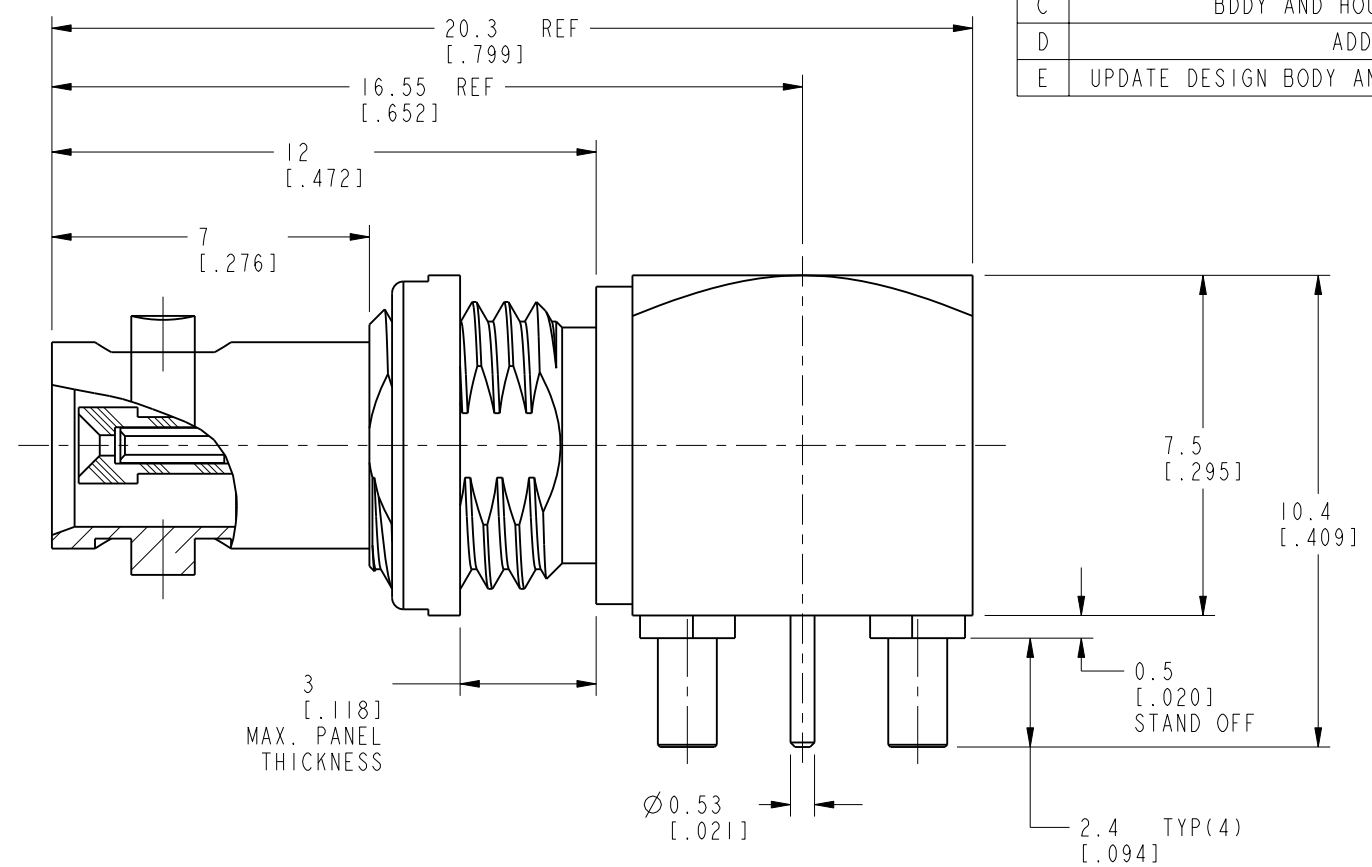
NOTES:

1. MATERIALS AND FINISHES:
 BODY - BRASS, NICKEL PLATING
 HOUSING - BRASS, GOLD PLATING
 CONTACT - BeCu, GOLD PLATING
 INSULATORS - PTFE, NATURAL
2. ELECTRICAL:
 A. IMPEDANCE: 75 OHMS
 B. FREQUENCY RANGE: DC - 4.5 GHz
 C. RETURN LOSS : -25 dB MIN AT 3 GHz
 D. DIELECTRIC WITHSTANDING VOLTAGE: 1000 VRMS, MIN.
 E. INSULATION RESISTANCE: 10,000 MEGOHMS MIN
3. MECHANICAL:
 A. DURABILITY: 500 CYCLES MIN.
4. ENVIRONMENTAL:
 A. THERMAL SHOCK PER MIL-STD-202 METHOD 107
 TEST CONDITION B (EXCEPT HIGH TEMP @200° C)
 B. VIBRATION: MIL-STD-202 METHOD 204 TEST CONDITION B
 C. SHOCK: MIL-STD-202 METHOD 213 TEST CONDITION B
 D. CORROSION: MIL-STD-202 METHOD 101
 TEST CONDITION B 5% SALT SOLUTION
5. PACKAGING:
 A. QUANTITY: SINGLE PACK
 B. MARKING: BAG TO BE MARKED
 "AMPHENOL RF, 34-1030, AND DATE CODE"

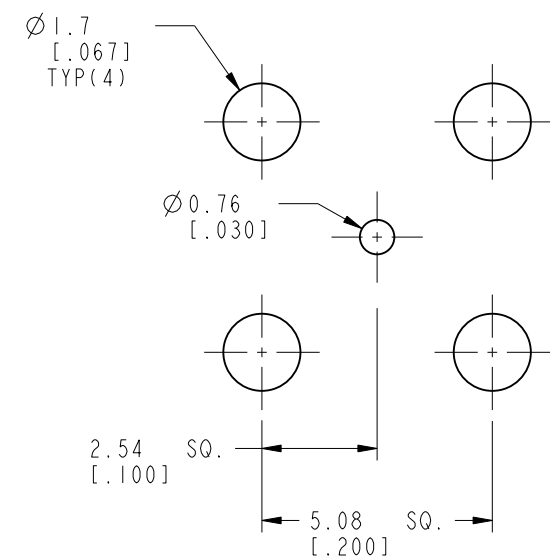
THIRD ANGLE PROJ.

REVISIONS

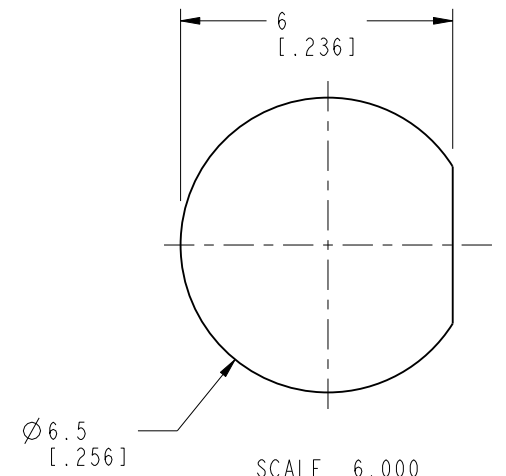
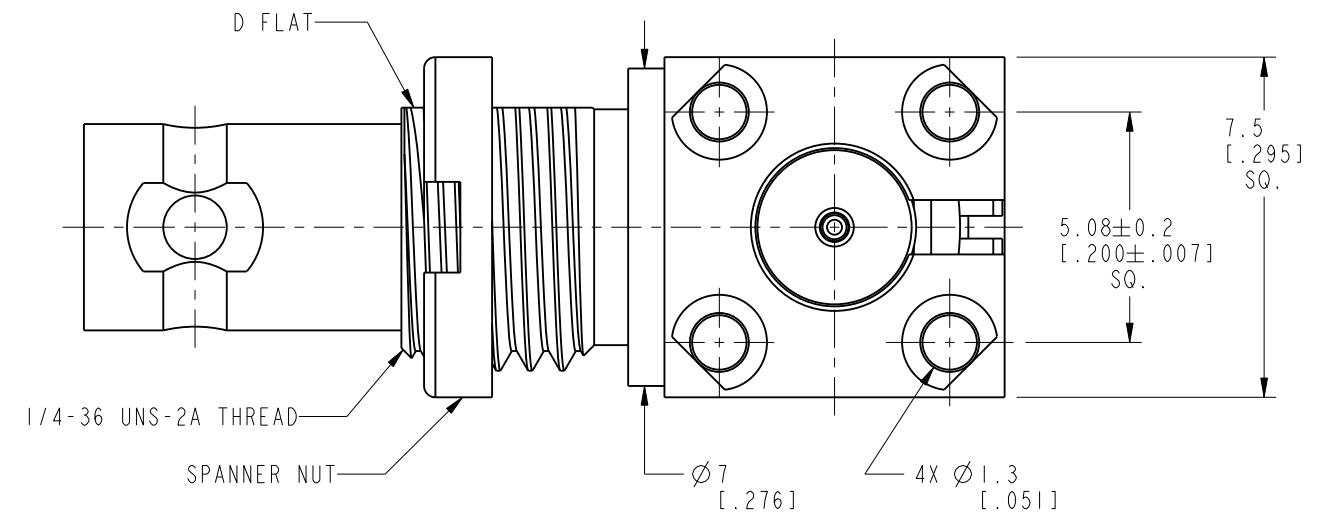
REV	DESCRIPTION	DATE	ECO	APPR
A	RELEASED TO MFG.	13-Oct-10	48270	PNE
B	REMOVED FORMING	09-Dec-10	48368	SH
C	BDDY AND HOUSING WERE CHANGED	10-May-11	--	SH
D	ADD FORMOVER		48780	JTS
E	UPDATE DESIGN BODY AND HOUSING, CAP WAS CHANGED	24-Oct-12	49222	DH



SCALE 4.000



RECOMMENDED PCB LAYOUT



RECOMMENDED MOUNTING HOLE

CUSTOMER OUTLINE DRAWING
 ALL OTHER SHEETS ARE FOR INTERNAL USE ONLY

UNLESS OTHERWISE SPECIFIED, DIMENSIONS ARE IN METRIC AND TOLERANCES ARE: <0.5mm ±0.05mm 0.5 - 6mm ±0.1mm 6 - 30mm ±0.2mm 30 - 120mm ±0.3mm ANGLES ±1° NOTICE - These drawings, specifications, or other data (1) are, and remain the property of Amphenol corp. (2) must be returned upon request; and (3) are confidential and not to be disclosed to any person other than those to whom they are given by Amphenol Corp. the finishing of these drawings, specifications, or other data by Amphenol Corp., or to any other person for any purpose is not to be regarded by implication or otherwise in any manner licensing, granting rights to permitting such holder or any other person to manufacture, use or sell any product, process or design, patented or otherwise, that may in any way be related to or disclosed by said drawings, specifications, or other data.	MATERIAL	DRAWN	DATE	TITLE HD BNC RA BHD JACK PCB MOUNT		Amphenol RF Danbury CT USA, Tainan, Taiwan, Shenzhen, China www.amphenolrf.com	
	SEE NOTES	T. DENG	24-Oct-12				
	REFERENCE	APPROVED	DATE	SCALE: 6.0:1.0		DRAWING NO. 34-1030	
	EAR # 4028	D. HU	24-Oct-12	SHEET 2 OF 6		ITEM NO. 34-1030	
CONFIGURATION LEVEL:	CAD FILE	DWG SIZE		REV	PART NO. 34-1030		
FINISH		B		E			

THIRD ANGLE PROJ.

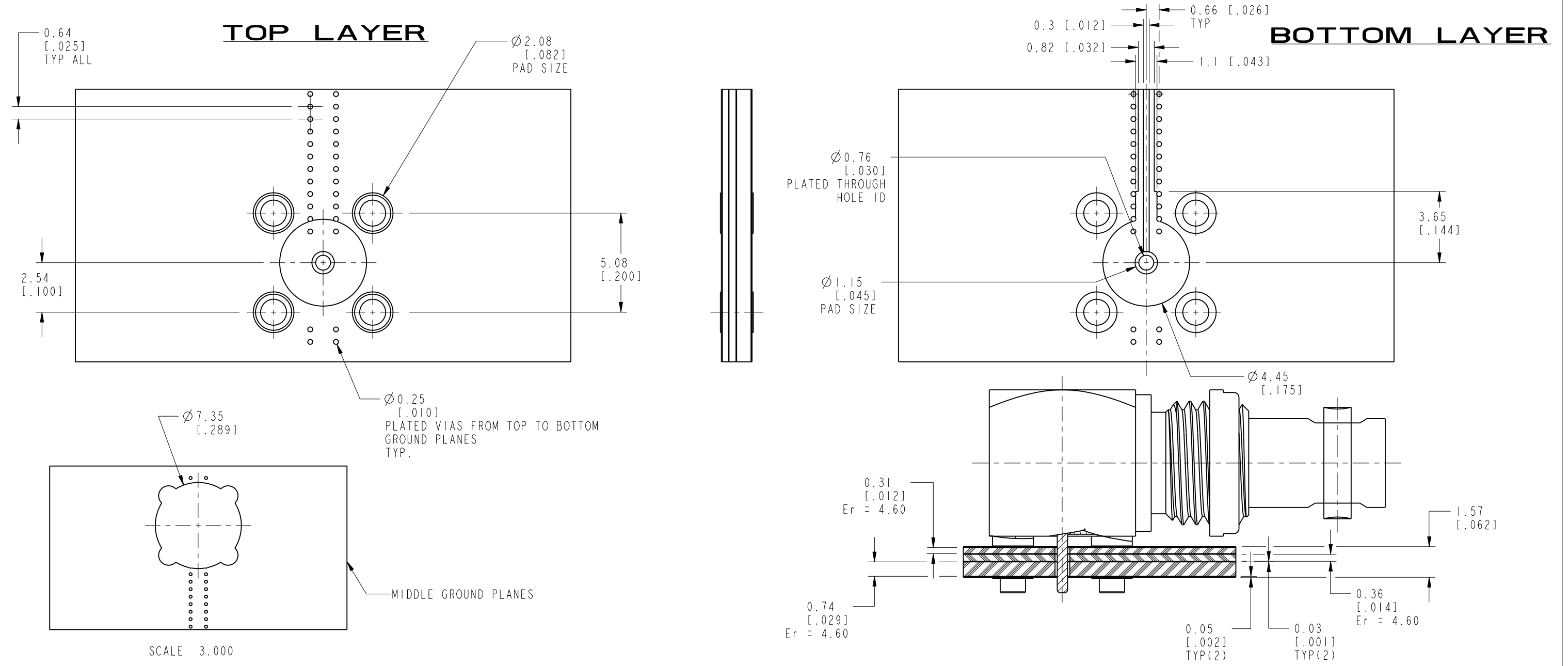
REVISIONS

REV	DESCRIPTION	DATE	ECO	APPR
A	RELEASED TO MFG.	13-Oct-10	48270	PNE
B	REMOVED FORMING	09-Dec-10	48368	SH
C	BDDY AND HOUSING WERE CHANGED	10-May-11	--	SH
D	ADD FORMOVER		48780	JTS
E	UPDATE DESIGN BODY AND HOUSING, CAP WAS CHANGED	24-Oct-12	49222	DH

CONFIGURATION-O

RECOMMENDED PCB LAUNCH FOR OPTIMAL RF PERFORMANCE

VARIATIONS IN BOARD SUBSTRATE AND TRACE MAY REQUIRE DIFFERENT GEOMETRY



UNLESS OTHERWISE SPECIFIED, DIMENSIONS ARE IN METRIC AND TOLERANCES ARE:
 <0.5mm ±0.05mm 0.5 - 6mm ±0.1mm 6 - 30mm ±0.2mm 30 - 120mm ±0.3mm ANGLES ±1°

NOTICE - These drawings, specifications, or other data (1) are, and remain the property of Amphenol corp. (2) must be returned upon request; and (3) are confidential and not to be disclosed to any person other than those to whom they are given by Amphenol Corp. the finishing of these drawings, specifications, or other data by Amphenol Corp., or to any other person for any purpose is not to be regarded by implication or otherwise in any manner licensing, granting rights to permitting such holder or any other person to manufacture, use or sell any product, process or design, patented or otherwise, that may in any way be related to or disclosed by said drawings, specifications, or other data.

MATERIAL	DRAWN T. DENG	DATE 24-Oct-12
REFERENCE EAR # 4028	ENGINEER NISCHIT MV	DATE 29-Jun-10
CONFIGURATION LEVEL:	APPROVED D. HU	DATE 24-Oct-12
FINISH	CAD FILE	

TITLE HD BNC RA BHD JACK PCB MOUNT	
SCALE: 2.0:1.0	SHEET 3 OF 6
DWG SIZE B	REV E

Amphenol RF Danbury CT USA, Tainan, Taiwan, Shenzhen, China www.amphenolrf.com	
DRAWING NO. 34-1030	
ITEM NO. 34-1030	
PART NO. 34-1030	

THIRD ANGLE PROJ.

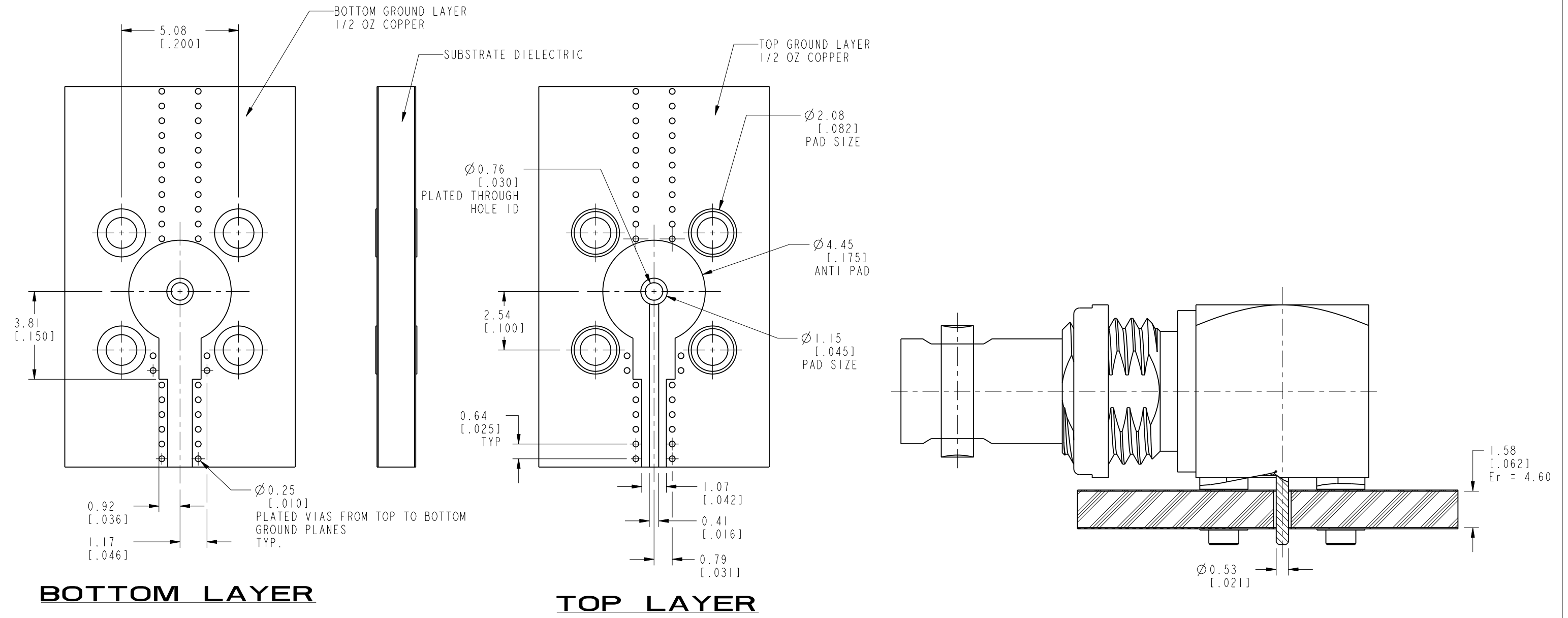
REVISIONS

REV	DESCRIPTION	DATE	ECO	APPR
A	RELEASED TO MFG.	13-Oct-10	48270	PNE
B	REMOVED FORMING	09-Dec-10	48368	SH
C	BDDY AND HOUSING WERE CHANGED	10-May-11	--	SH
D	ADD FORMOVER		48780	JTS
E	UPDATE DESIGN BODY AND HOUSING, CAP WAS CHANGED	24-Oct-12	49222	DH

CONFIGURATION-1

RECOMMENDED PCB LAUNCH FOR OPTIMAL RF PERFORMANCE

VARIATIONS IN BOARD SUBSTRATE AND TRACE MAY REQUIRE DIFFERENT GEOMETRY



UNLESS OTHERWISE SPECIFIED, DIMENSIONS ARE IN METRIC AND TOLERANCES ARE:
 <0.5mm ±0.05mm 0.5 - 6mm ±0.1mm 6 - 30mm ±0.2mm 30 - 120mm ±0.3mm ANGLES ±1°

NOTICE - These drawings, specifications, or other data (1) are, and remain the property of Amphenol corp. (2) must be returned upon request; and (3) are confidential and not to be disclosed to any person other than those to whom they are given by Amphenol Corp. the finishing of these drawings, specifications, or other data by Amphenol Corp., or to any other person to anyone for any purpose is not to be regarded by implication or otherwise in any manner licensing, granting rights to permitting such holder or any other person to manufacture, use or sell any product, process or design, patented or otherwise, that may in any way be related to or disclosed by said drawings, specifications, or other data.

MATERIAL	DRAWN T. DENG	DATE 24-Oct-12
REFERENCE EAR # 4028	ENGINEER NISCHIT MV	DATE 29-Jun-10
CONFIGURATION LEVEL:	APPROVED D. HU	DATE 24-Oct-12
FINISH	CAD FILE	

TITLE HD BNC RA BHD JACK PCB MOUNT
SCALE: 3.0:1.0 SHEET 4 OF 6
DWG SIZE B
REV E

Amphenol RF Danbury CT USA, Tainan, Taiwan, Shenzhen, China www.amphenolrf.com
DRAWING NO. 34-1030
ITEM NO. 34-1030
PART NO. 34-1030

THIRD ANGLE PROJ.

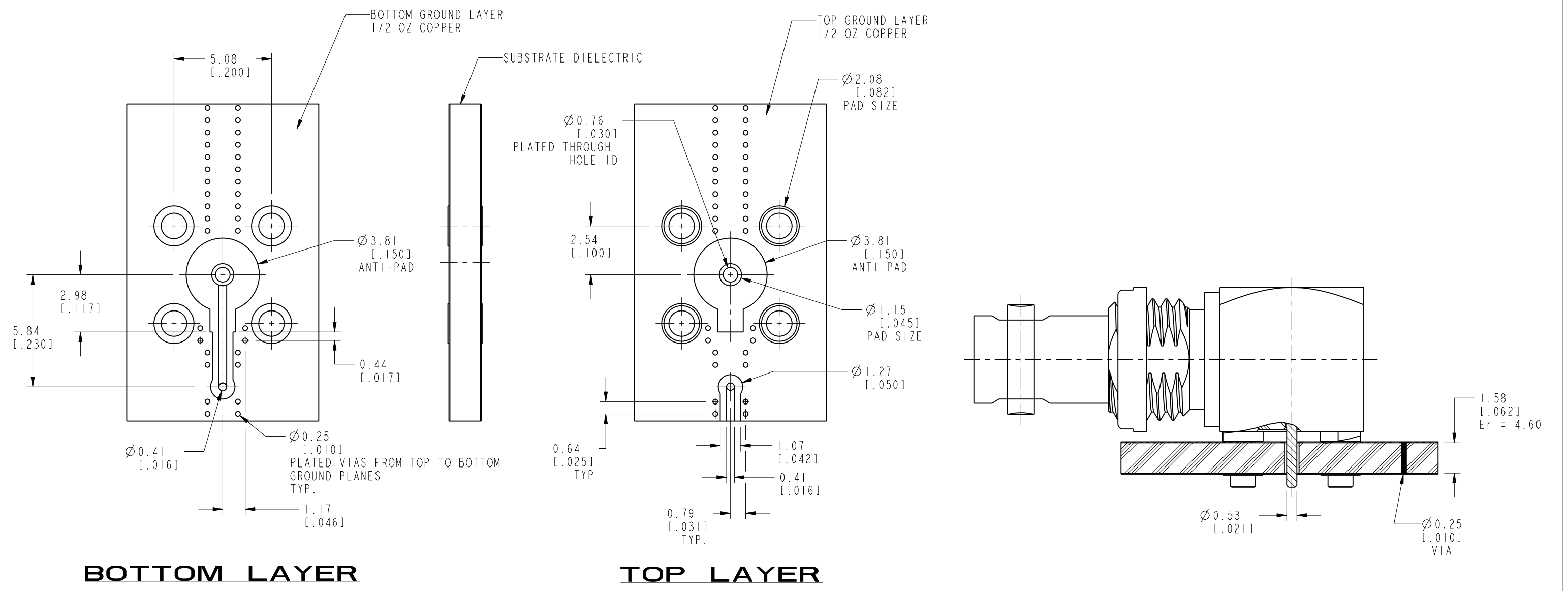
REVISIONS

REV	DESCRIPTION	DATE	ECO	APPR
A	RELEASED TO MFG.	13-Oct-10	48270	PNE
B	REMOVED FORMING	09-Dec-10	48368	SH
C	BDDY AND HOUSING WERE CHANGED	10-May-11	--	SH
D	ADD FORMOVER		48780	JTS
E	UPDATE DESIGN BODY AND HOUSING, CAP WAS CHANGED	24-Oct-12	49222	DH

CONFIGURATION-2

RECOMMENDED PCB LAUNCH FOR OPTIMAL RF PERFORMANCE

VARIATIONS IN BOARD SUBSTRATE AND TRACE MAY REQUIRE DIFFERENT GEOMETRY



UNLESS OTHERWISE SPECIFIED, DIMENSIONS ARE IN METRIC AND TOLERANCES ARE:
 <0.5mm ±0.05mm 0.5 - 6mm ±0.1mm 6 - 30mm ±0.2mm 30 - 120mm ±0.3mm ANGLES ±1°

NOTICE - These drawings, specifications, or other data (1) are, and remain the property of Amphenol corp. (2) must be returned upon request; and (3) are confidential and not to be disclosed to any person other than those to whom they are given by Amphenol Corp. the finishing of these drawings, specifications, or other data by Amphenol Corp., or to any other person to anyone for any purpose is not to be regarded by implication or otherwise in any manner licensing, granting rights to permitting such holder or any other person to manufacture, use or sell any product, process or design, patented or otherwise, that may in any way be related to or disclosed by said drawings, specifications, or other data.

MATERIAL	DRAWN T. DENG	DATE 24-Oct-12
REFERENCE EAR # 4028	ENGINEER NISCHIT MV	DATE 20-May-10
CONFIGURATION LEVEL:	APPROVED D. HU	DATE 24-Oct-12
FINISH	CAD FILE	

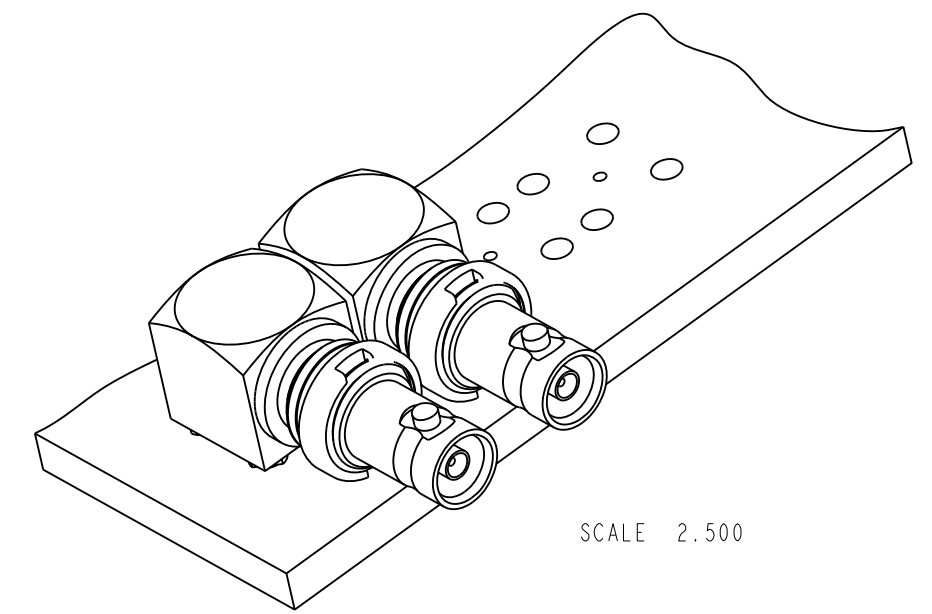
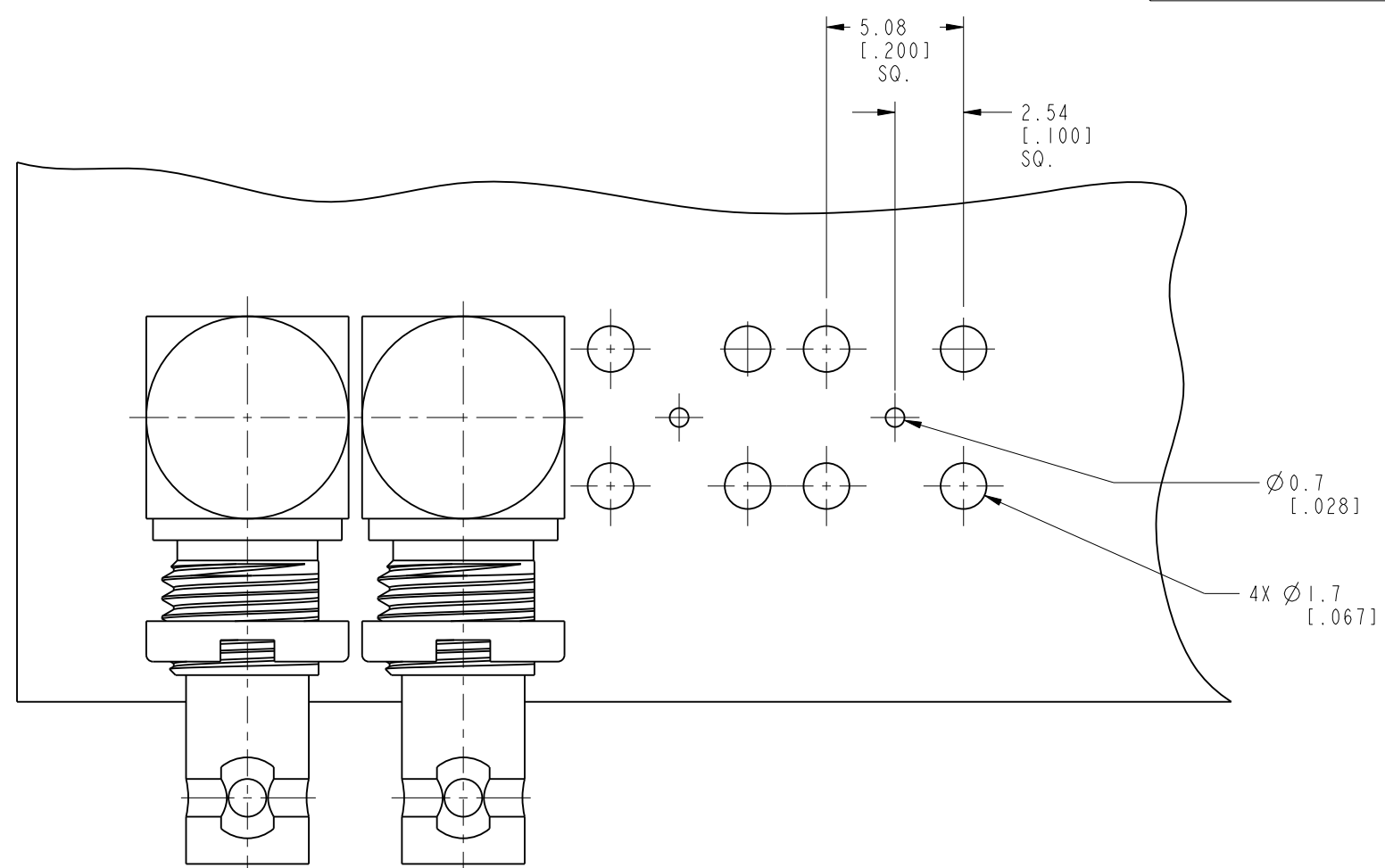
TITLE HD BNC RA BHD JACK PCB MOUNT
SCALE: 0.8:1.0 SHEET 5 OF 6
DWG SIZE B
REV E

Amphenol RF Danbury CT USA, Tainan, Taiwan, Shenzhen, China www.amphenolrf.com
DRAWING NO. 34-1030
ITEM NO. 34-1030
PART NO. 34-1030

THIRD ANGLE PROJ.

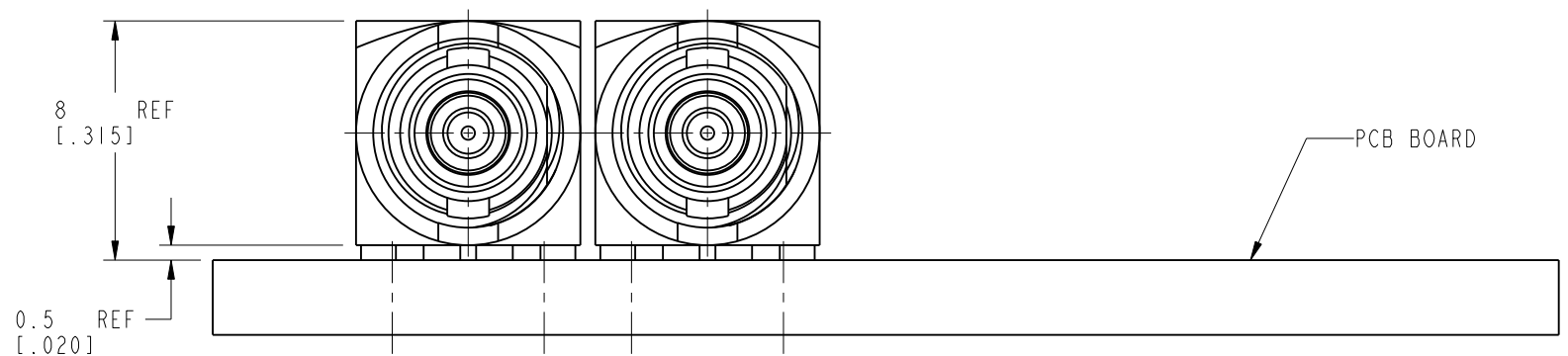
REVISIONS

REV	DESCRIPTION	DATE	ECO	APPR
A	RELEASED TO MFG.	13-Oct-10	48270	PNE
B	REMOVED FORMING	09-Dec-10	48368	SH
C	BDDY AND HOUSING WERE CHANGED	10-May-11	--	SH
D	ADD FORMOVER		48780	JTS
E	UPDATE DESIGN BODY AND HOUSING, CAP WAS CHANGED	24-Oct-12	49222	DH



RECOMMENDED PCB MOUNTING HOLES

CONNECTORS TO BE SPACED AT 8.00 MM MIN. PITCH.



CUSTOMER OUTLINE DRAWING
ALL OTHER SHEETS ARE FOR INTERNAL USE ONLY

<p>UNLESS OTHERWISE SPECIFIED, DIMENSIONS ARE IN METRIC AND TOLERANCES ARE: <0.5mm ±0.05mm 0.5 - 6mm ±0.1mm 6 - 30mm ±0.2mm 30 - 120mm ±0.3mm ANGLES ±1°</p> <p>NOTICE - These drawings, specifications, or other data (1) are, and remain the property of Amphenol corp. (2) must be returned upon request; and (3) are confidential and not to be disclosed to any person other than those to whom they are given by Amphenol Corp. the finishing of these drawings, specifications, or other data by Amphenol Corp., or to any other person for any purpose is not to be regarded by implication or otherwise in any manner licensing, granting rights to permitting such holder or any other person to manufacture, use or sell any product, process or design, patented or otherwise, that may in any way be related to or disclosed by said drawings, specifications, or other data.</p>	MATERIAL	DRAWN T. DENG	DATE 24-Oct-12	TITLE HD BNC RA BHD JACK PCB MOUNT	<p>Amphenol RF Danbury CT USA, Tainan, Taiwan, Shenzhen, China www.amphenolrf.com</p>
	REFERENCE EAR # 4028	ENGINEER NISCHIT MV	DATE 20-May-10		
	CONFIGURATION LEVEL:	APPROVED D. HU	DATE 24-Oct-12	SCALE: 7.8:1.0 SHEET 6 OF 6	ITEM NO. 34-1030
	FINISH	CAD FILE	DWG SIZE B	REV E	PART NO. 34-1030