

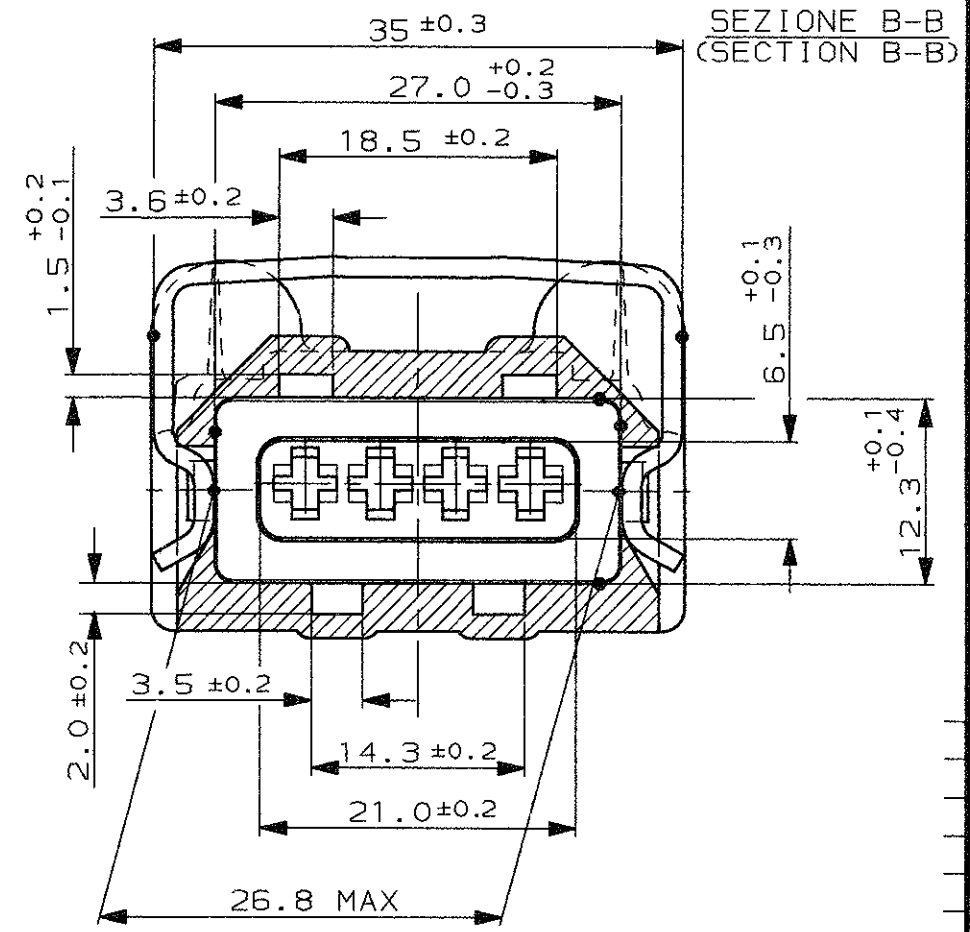
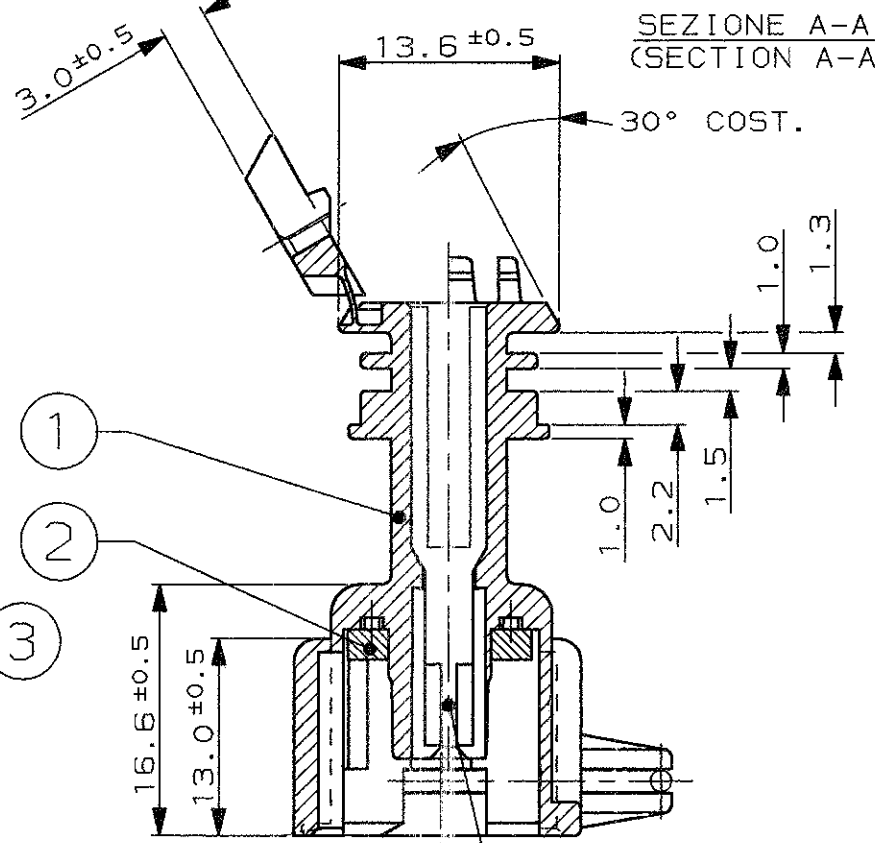
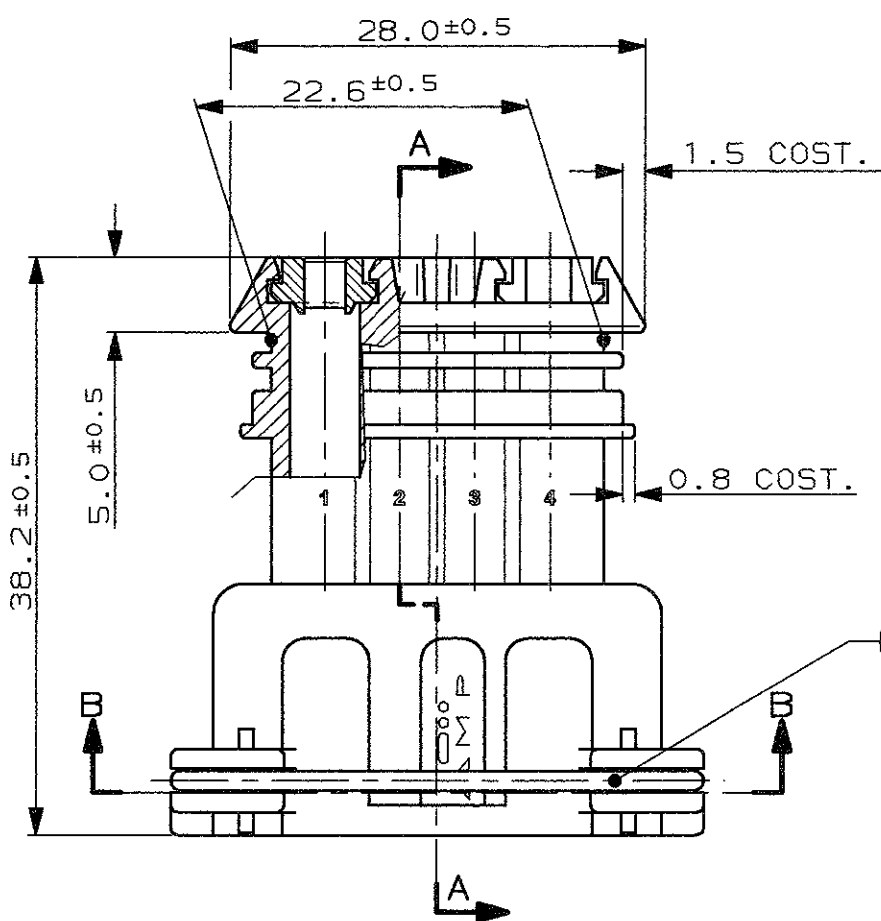
CONNETTORE TIPO A (CON MOLLA DI RITEGNO ESTERNA)
CONNECTOR TYPE A (WITH EXTERNAL SPRING)

SCALA NON IMPEGNATIVA
(DO NOT SCALE)
DIMENSIONI IN mm
(DIMENSIONS IN)

METRIC

PROIEZIONE EUROPEA
(EUROPEAN PROJECTION)

A
B
C
D
E
F

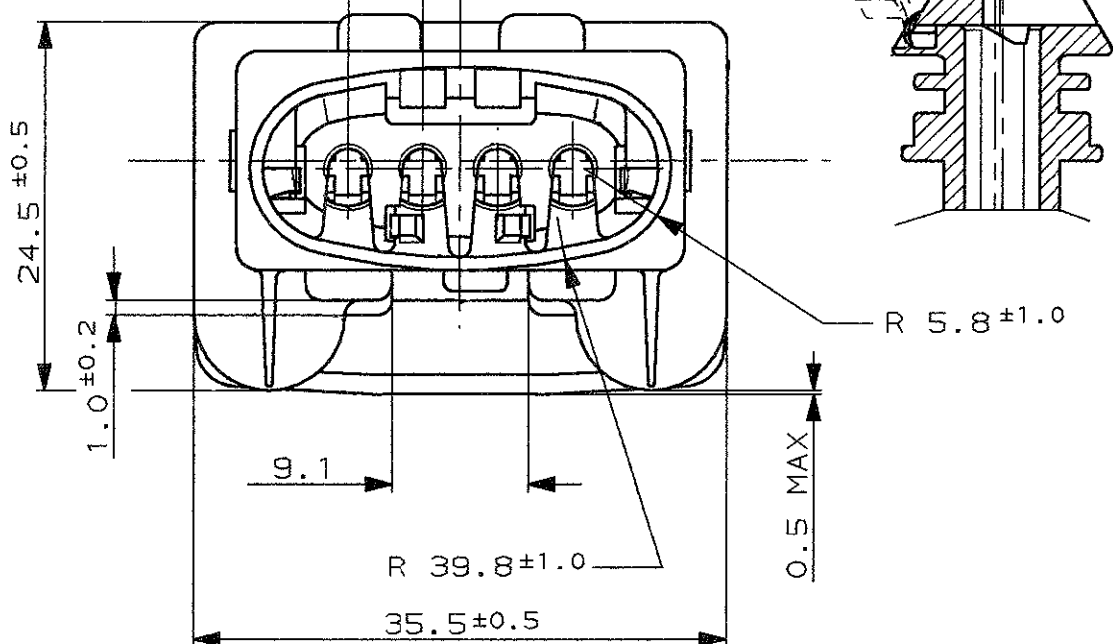


TIP. CAVITA' PER TERMINALI AMP JPT P/N 929939-...
OPPURE 929937-... E RELATIVI GOMMINI
AMP P/N 828904-1, 828905-1, 282536-1.
TAPPO CAVITA' P/N 828906-2
(TYP. CAV. FOR JPT CONT. P/N 929939-.. A/O 929937-.. AND REL.
SINGLE WIRE SEAL P/N 828904-1, 828905-1, 282536-1
CAVITY PLUG P/N 828906-2)

ASSE CONNETTORE
(CONNECTOR CENTER LINE)

ASSE CAVITA'
(CAVITY CENTER LINE)

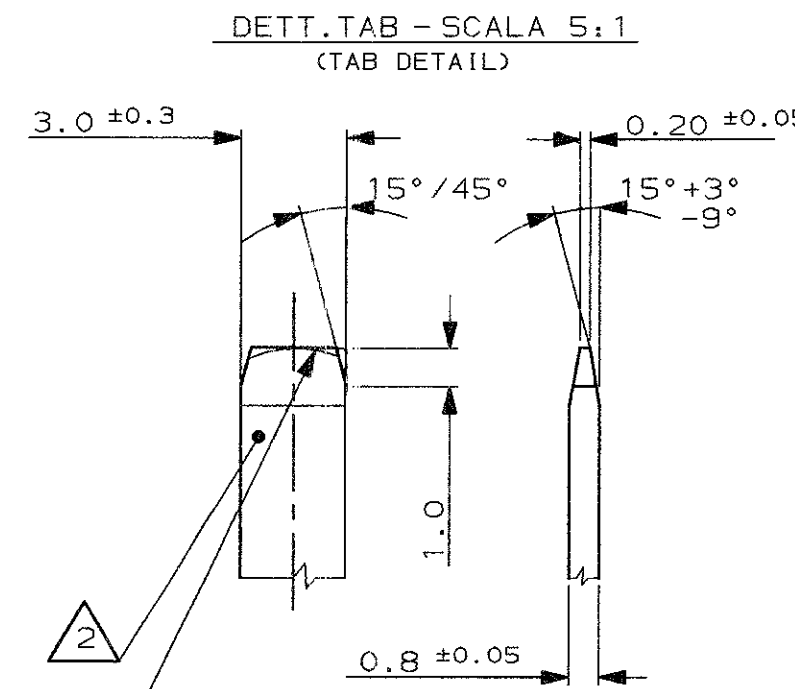
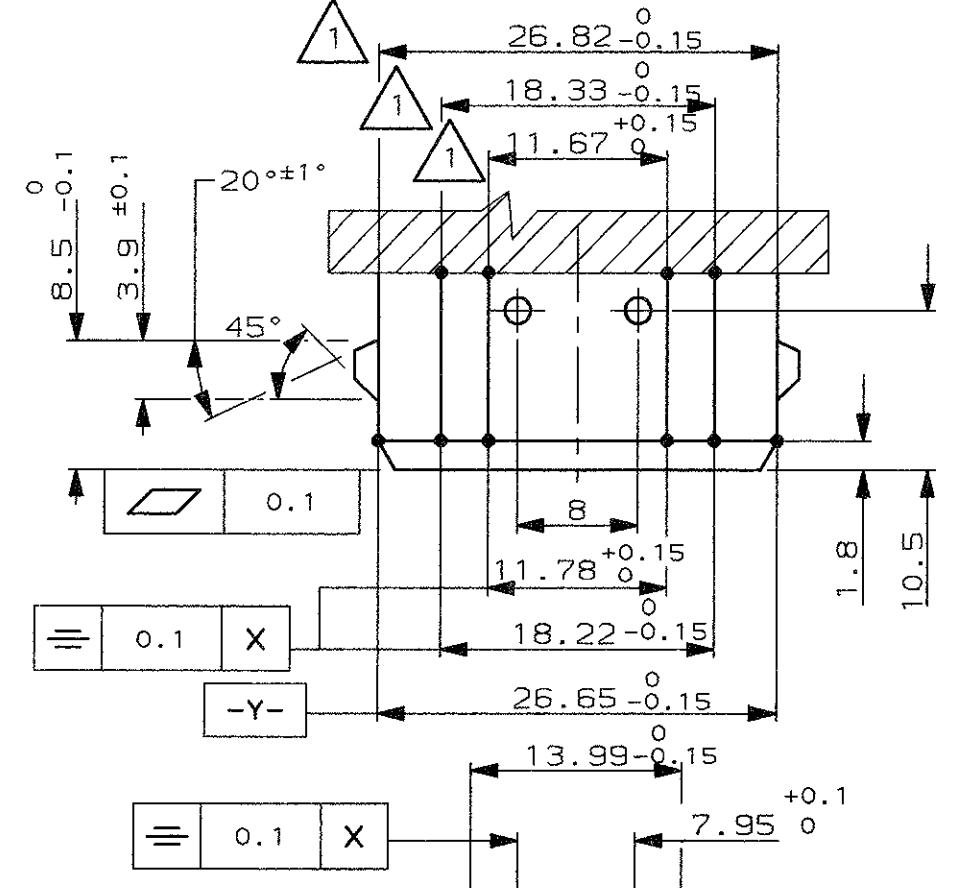
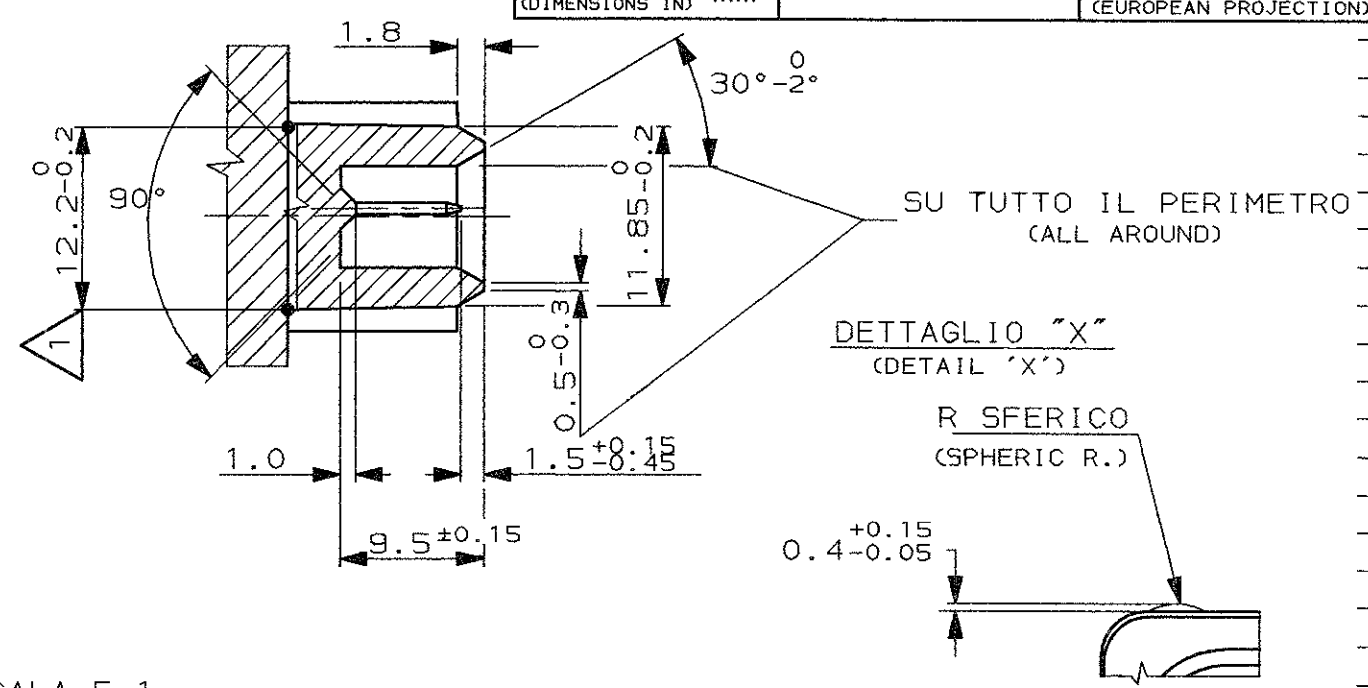
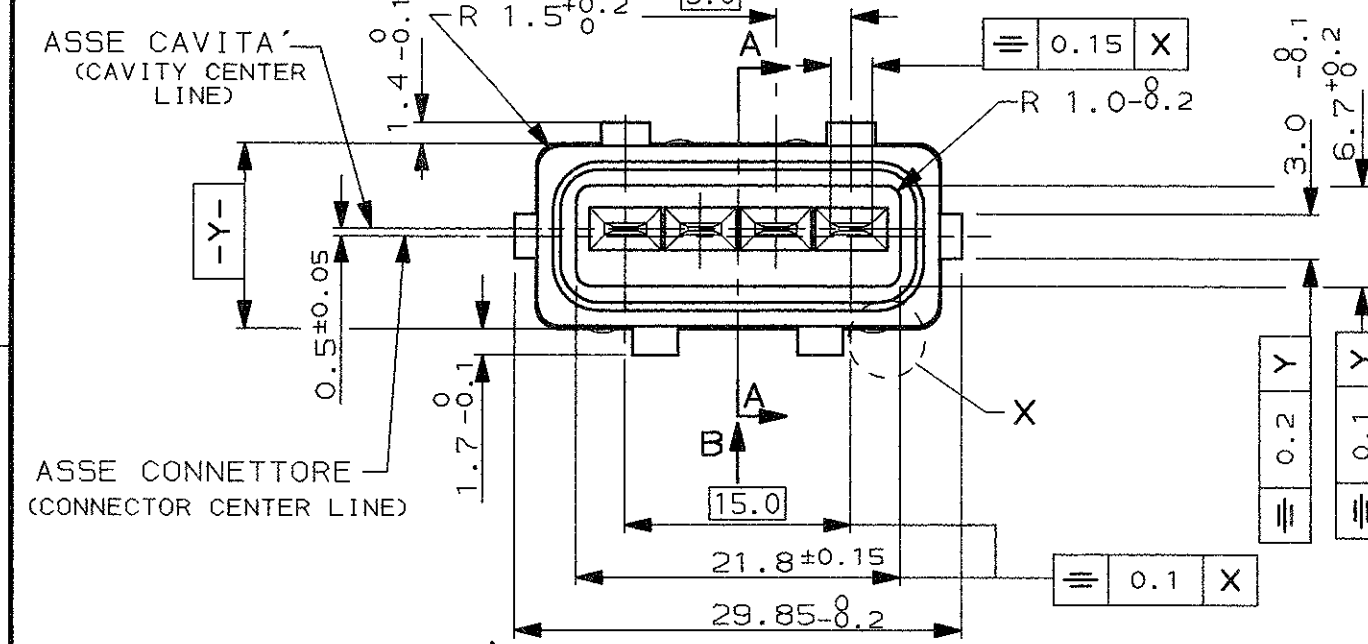
PASSO 5.0±0.15 TIP.
(PITCH 5.0±0.15 TYP.)



ROSSO (RED)	---					
GIALLO (YELLOW)	---					
MARRONE (BROWN)	282192-3	F	3	///////	ACCIAIO INOX (STAINLESS STEEL)	
BLU (BLUE)	---				MOLLA (SPRING)	
VERDE (GREEN)	---					
NATURALE (NATUR)	---		2	NATURALE (NATURAL)	GOMMA (RUBBER)	
GRIGIO (GREY)	282192-2	F				
NERO (BLACK)	282192-1	F	1	///////	PA 6.6 C.VETRO (PA 6.6 G.F.)	
COLORE COLOR	NUMERO PART N°	ASSY REV.	N° (ITEM)	FINITURA / COLORE (FINISH / COLOUR)	MATERIALE (MATERIAL)	DESCRIZIONE (DESCRIPTION)

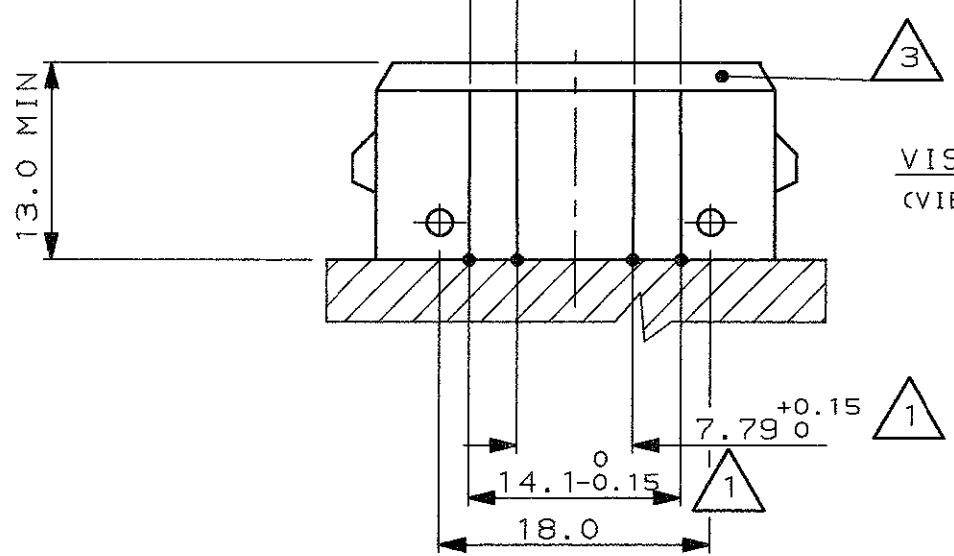
M1	REVISED PER ECR-09-015789	M.G.	3-8 2009	CUSTOMER DWG. FOR REFERENCE ONLY		DISEGNO PER CLIENTE SOLO PER RIFERIMENTO	
M	REVISED FOR ET00-0385-99	M.P.	2-4 01				
L	AGGIOR. CON ET00-0221-96 REVISED FOR ET00-0221-96	A.F.	27-5 '96	THIS DRAWING IS UNPUBLISHED		RELEASE FOR PUBLICATION	
H	AGGIOR. CON ET00-0108-95 REVISED FOR ET00-0108-95	M.P.	11-5 '95	© COPYRIGHT 19 BY AMP INCORPORATED, HARRISBURG, PA. ALL INTERNATIONAL RIGHT RESERVED. AMP PRODUCTS MAY BE COVERED BY U.S. AND FOREIGN PATENT AND/OR PATENT PENDING		19	
G	AGG. FOGLIO 2 (ADDED SH.2)	R.M.	3-9 93	TOLLERANZE, SE NON DIVERSAMENTE SPECIFICATO (TOLERANCES, UNLESS OTHERWISE SPECIFIED)		DIAM. ISOLANTE (INS. DIA. RANGE) 1.5-3.0 (REDUCED INS. CABLE)	RANGO FILO (WIRE RANGE) 0.5-2.5 mm ²
F	IN PRODUZIONE (IN PRODUCTION)	R.M.	13-10 92	± 0.3		***	
E	AGGIORNATO (REVISED)	R.M.	27-5 92	ANGOLI (ANGLES) ± 2°		Tyco Electronics Tyco Electronics AMP Italia S.r.l. Corso F.lli Cervi 15, Collegno (TO)	
D	AGGIORNATO (REVISED)	R.M.	17-3 92	DIS. NOV. 9. '90 (COR.) Ennio CINI		DESCRIZIONE (DESCRIPTION) 4 W.SPLASH PROOF CONN. ASS'Y with SECONDARY LOCK	
C	AGGIORNATO (REVISED)	R.M.	29-2 92	CONT. 13 OCT 92 (CHK) C.TARTARI		LOC. SIZE NUMERO (DWG NO)	
B	AGGIORNATO (REVISED)	R.M.	6-9 91	APP. DATA (APP.)		REV. FOGLIO (SHEET)	
A	WAS P/N C-90-51265-70	C.E.	2.91			I A3 C-282192 M1 1 D1	
REV.	REVISIONI (REVISION RECORD)	DIS.	DATA (DATE)				

DISTRIBUZIONE
(PRINT DIST.)



- 1 QUOTE APPLICABILI PER SFORMATURA PEZZO (DRAFT PERMITTED TO FACILITATE REMOVAL OF PART FROM THE MOULD)
- 2 MATERIALE LINGUETTE: LEGA DI RAME STAGNATA, ES. OTTONE STAGNATO. (TAB CONTACT MATERIAL: TIN PLATED COPPER ALLOY. E.G. BRASS TIN PLATED)
- 3 MATERIALE BLOCCHETTO: TERMOPLASTICO CARICATO FIBRA VETRO. (HOUSING MATERIAL: THERMOPLASTIC, GLASS FIBER FILLED)

FORMA ALTERNATIVA PERMESSA CON RAGGIO (ALLOWED ALTERNATIVE PROFILE WITH RADIUS)



FINITURA / COLORE (FINISH / COLOUR)	MATERIALE (MATERIAL)	NUMERO (PART NUMBER)
CUSTOMER DWG. FOR REFERENCE ONLY	DISEGNO PER CLIENTE SOLO PER RIFERIMENTO	19
THIS DRAWING IS UNPUBLISHED		RELEASE FOR PUBLICATION
© COPYRIGHT 19 BY AMP INCORPORATED, HARRISBURG, PA. ALL INTERNATIONAL RIGHT RESERVED. AMP PRODUCTS MAY BE COVERED BY U.S. AND FOREIGN PATENT AND/OR PATENT PENDING		
TOLLERANZE: SE NON DIVERSAMENTE SPECIFICATO (TOLERANCES, UNLESS OTHERWISE SPECIFIED)	DIAM. ISOLANTE (INS. DIA. RANGE)	RANGO FILO (WIRE RANGE)
± 0.3	---	---
ANGOLI (ANGLES)	Tyco Electronics Tyco Electronics AMP Italia S.r.l. Corso F.lli Cervi 15, Collegno (TO)	
± 2°		
DIS. (DR.)	DESCRIZIONE (DESCRIPTION)	
CONT. (CHK)	4 POS. SPLASH PROOF CONN. ASS'Y with SECONDARY LOCK	
APP. (DR.)	LOC. (DWG NO)	REV. (SHEET)
SEE SHEET 1 OF 2	I A3 C-282192	M1 2 OF 2
REV. (REV. LTR.)	REVISIONI (REVISION RECORD)	DIS. DATA (DR. DATE)

DISTRIBUZIONE (PRINT DIST.)