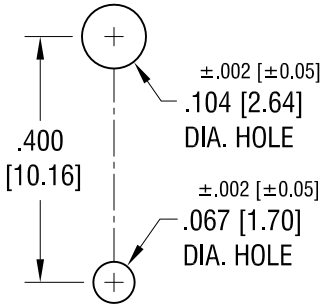
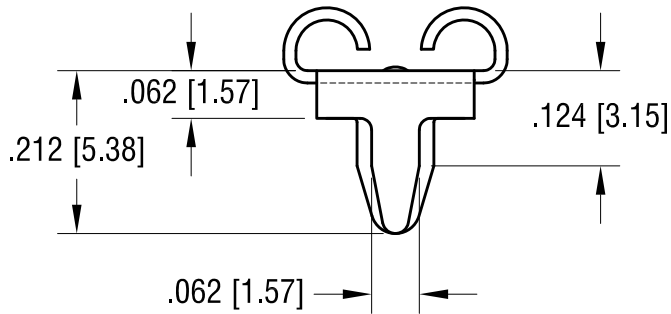
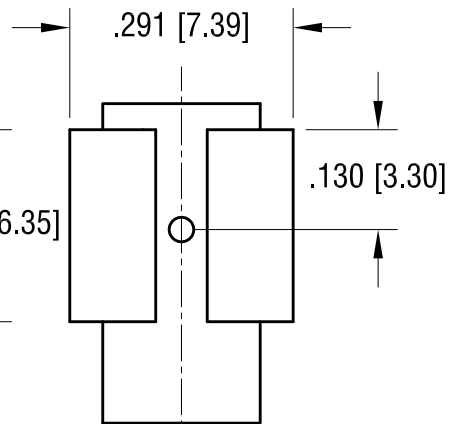
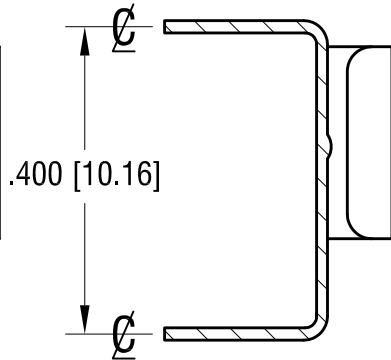
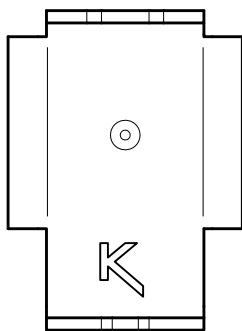
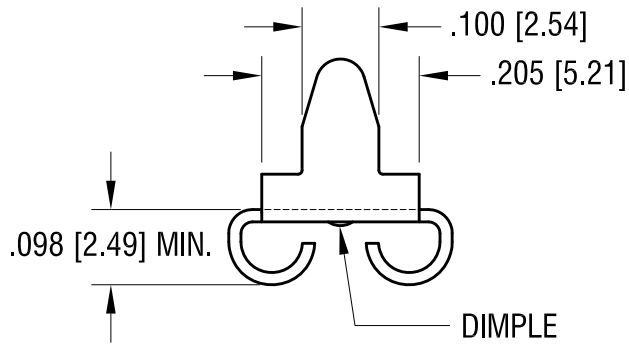


THIS DOCUMENT IS THE PROPERTY OF  
KEYSTONE ELECTRONICS CORP. AND  
SHALL NOT BE REPRODUCED, DISTRIBUTED  
OR USED AS A BASIS FOR MANUFACTURE  
WITHOUT PRIOR WRITTEN PERMISSION  
FROM KEYSTONE ELECTRONICS CORP.

**MOUNTING DETAIL**



**ACTUAL SIZE**



**KEY** FILE NUMBER: E201546

**KEYSTONE ELECTRONICS CORP.**

www.keyelco.com • NEW HYDE PARK NY 11040 • Tel (516)328-7500

PART NAME  
.250 x .032 HORIZONTAL QUICK CONNECT

MATERIAL  
.016 [0.40] TH'K BRASS

FINISH <b>TIN NICKEL PLATE</b>	DRN BY <b>BOONE</b>	DATE 12.01.94
	APP'D <b>MR</b>	SCALE 4X

TOLERANCES INCH [MM] DECIMAL ± .005 [± 0.13]	CODE <b>C</b>	DWG NO. <b>3547</b>
UNLESS OTHERWISE SPECIFIED		

8.30.12	CHANGE AS PER ECN 12-121	D
10.18.05	CHANGE AS PER ECN 05-075	C
DATE	DESCRIPTION	REV.

# Mouser Electronics

Authorized Distributor

Click to View Pricing, Inventory, Delivery & Lifecycle Information:

[Keystone Electronics:](#)

[3547](#)