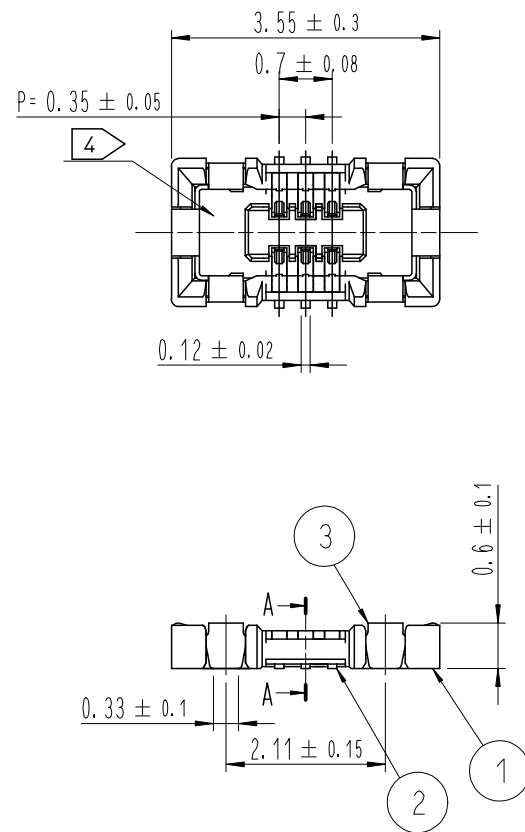


Sep.1.2020 Copyright 2020 HIROSE ELECTRIC CO., LTD. All Rights Reserved.
In case of consideration for using Automotive equipment / device which demand high reliability, kindly contact our sales window correspondents.

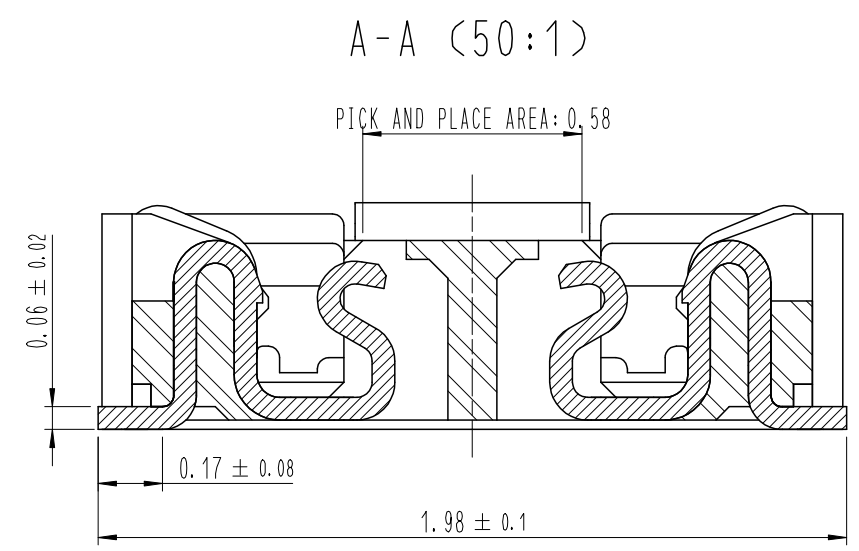


HRS DRAWING FOR REFERENCE

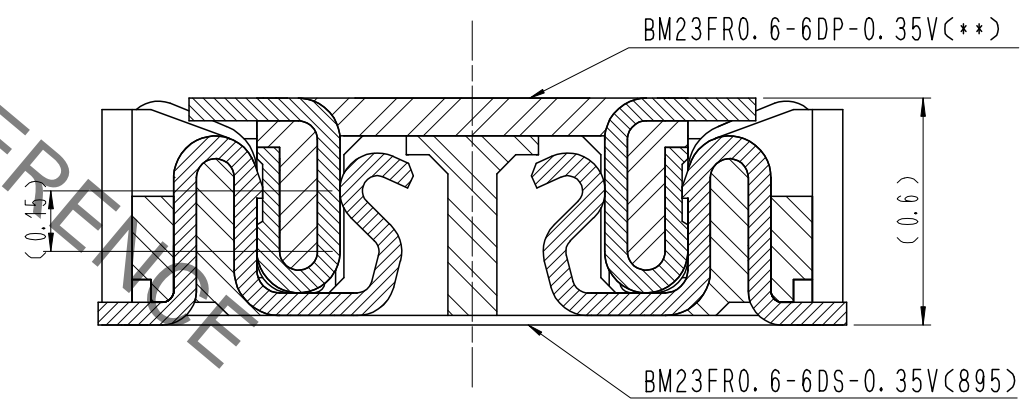
DRAWING FOR REFERENCE
This is subject to change without notice

- NOTE
- 1 . ALL LEAD CO-PLANARITY SHALL BE 0.08mm MAX.
 - 2 > CONTACT PLATING SPECIFICATIONS.
CONTACT AREA : GOLD 0.05 μm MIN.
SMT LEAD : GOLD 0.05 μm MIN.
UNDERPLATING : NICKEL 1 μm MIN.
(SURFACE : SEALING)
 - 3 > MATA FITTING PLATING SPECIFICATIONS.
SMT LEAD : GOLD 0.05 μm MIN.
UNDERPLATING : NICKEL 1 μm MIN.
(SURFACE : SEALING)
 - 4 > HRS MARK AND CAV NO. ARE INDICATED IN APPROX POSITION SHOWN.

COUNT	DESCRIPTION OF REVISIONS	B	Y	CHKD	DATE	COUNT	DESCRIPTION OF REVISIONS	B	Y	CHKD	DATE
△						△					
△						△					
△						△					



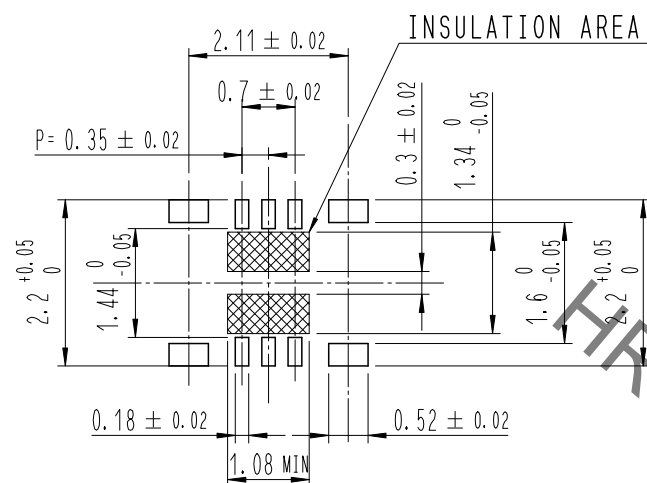
ENGAGEMENT FIGURE (50:1)



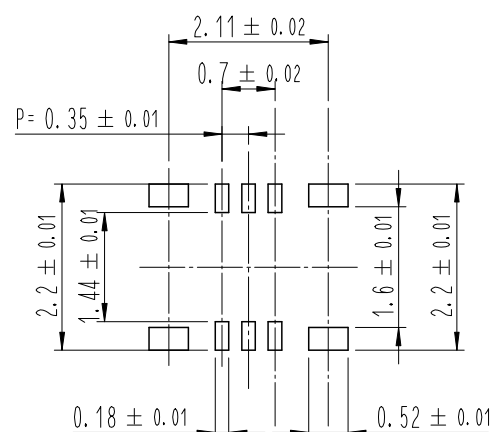
4	PS	CLEAR (EMBOSSD CARRIER TAPE)		7	PS	CLEAR (REINFORCEMENT COLLAR)
3	COPPER ALLOY	3 >		6	PS	BLACK (PLASTIC REEL)
2	COPPER ALLOY	2 >		5	POLYESTER	CLEAR (COVER TAPE)
1	LCP	UL94 V-0, BLACK				
NO.	MATERIAL	FINISH , REMARKS	NO.	MATERIAL	FINISH , REMARKS	
REMARKS			DRAWN	DESIGNED	CHECKED	APPROVED
			S. H. JUNG	S. H. JUNG	H. W. JO	T. S. KANG
			17. 05. 08	17. 05. 08	17. 05. 08	17. 05. 08
CODE NO. (OLD)	DRAWING NO. EDC3-632031		PART NO. BM23FR0.6-6DS-0.35V(895)			
	SCALE 10:1	HRS HIROSE KOREA CO.,LTD.		CODE NO	CL 6644-0057-1-895	1/3
	UNITS mm					

Sep.1.2020 Copyright 2020 HIROSE ELECTRIC CO., LTD. All Rights Reserved.
In case of consideration for using Automotive equipment / device which demand high reliability, kindly contact our sales window correspondents.

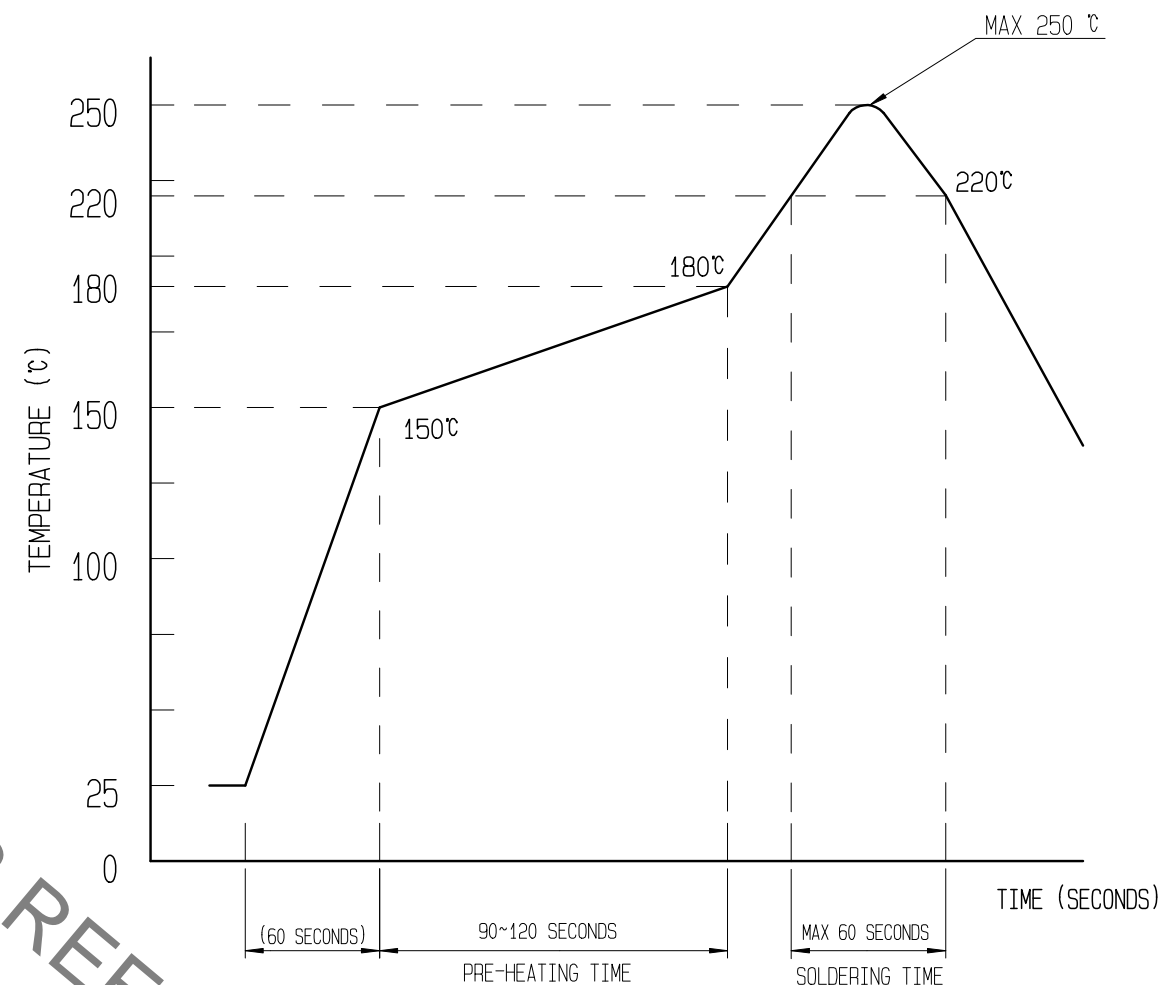
6 RECOMMENDED PCB LAYOUT



RECOMMENDED METAL MASK DIMENSIONS
METAL MASK THICKNESS : 100 μm



5 RECOMMENDED REFLOW TEMPERATURE PROFILE USING LEAD-FREE SOLDER PASTE.



REFLOW METHOD: N2 REFLOW
NUMBER OF REFLOW CYCLES: 2 CYCLES MAX.
1) REFLOW TIME
DURATION ABOVE 220°C: 60 SEC MAX.
(PEAK TEMPERATURE: 250°C MAX)
2) PRE-HEAT TIME
PRE-HEAT TEMPERATURE(MIN): 150°C
PRE-HEAT TEMPERATURE(MAX): 180°C
PRE-HEAT TIME: 90-120 SEC.

- 5 THIS TEMPERATURE PROFILE IS PER THE CONDITIONS SHOWN ABOVE. ADDITIONAL FACTORS, SUCH AS SOLDER PASTE TYPE, PCB SIZE AND OTHER MOUNTED COMPONENTS COULD AFFECT THE PROFILE. THEREFORE, A THOROUGH EVALUATION OF MOUNTING CONDITION IS REQUIRED PRIOR TO PRODUCTION. TEMPERATURE IS MEASURED AT CONTACT LEAD.
- 6 PLEASE CONTACT US IN CASE YOU WILL MAKE DIFFERENT SETTINGS FROM OUR RECOMMENDATION.

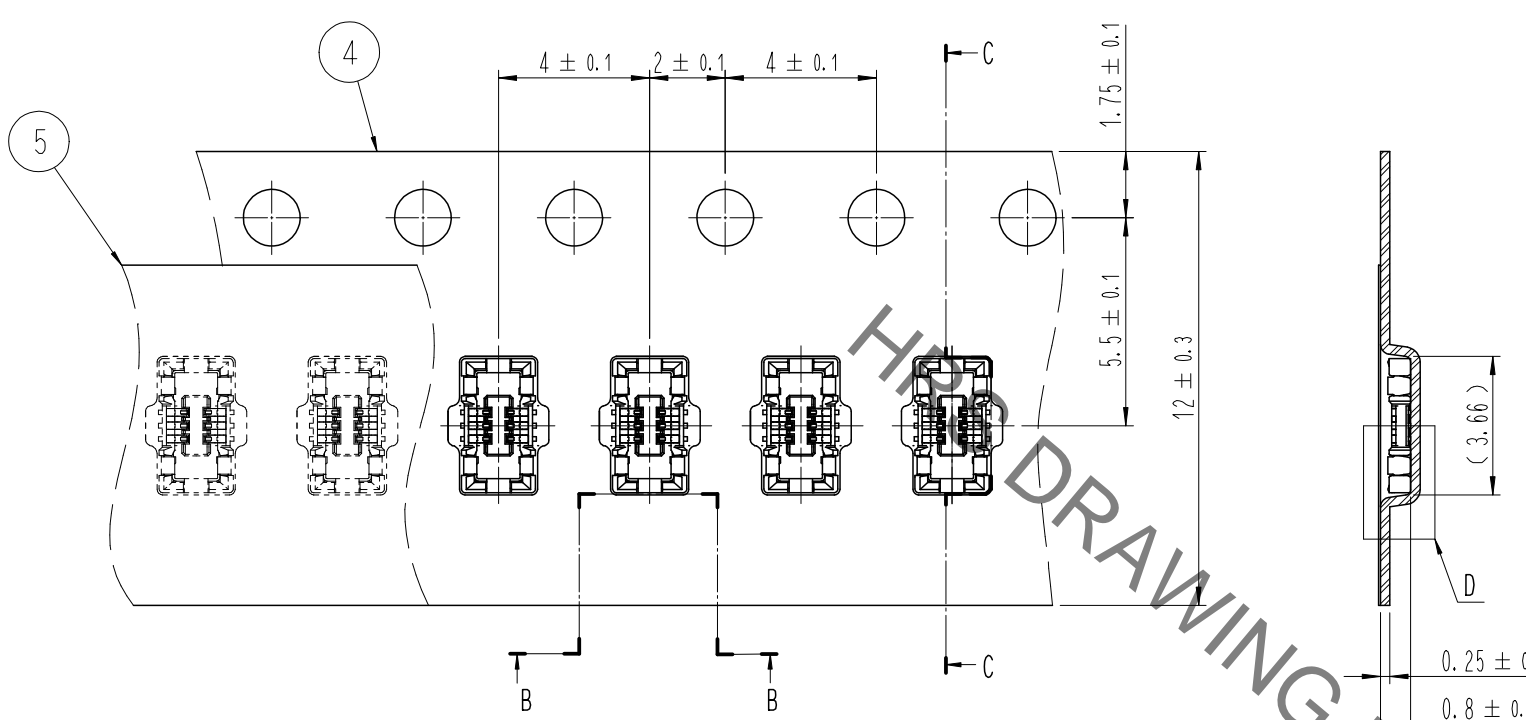
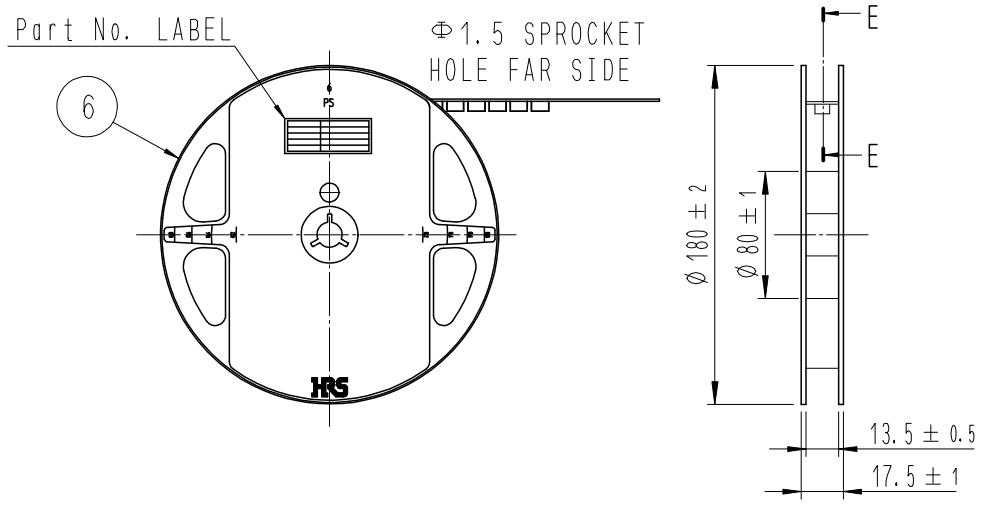
	DRAWING NO.	EDC3-632031	PART NO.	BM23FR0.6-6DS-0.35V(895)	
	SCALE	10:1	CODE NO	CL 6644-0057-1-895	2/3
UNITS	mm		HRS HIROSE KOREA CO., LTD.		

Sep.1.2020 Copyright 2020 HIROSE ELECTRIC CO., LTD. All Rights Reserved.
In case of consideration for using Automotive equipment / device which demand high reliability, kindly contact our sales window correspondents.

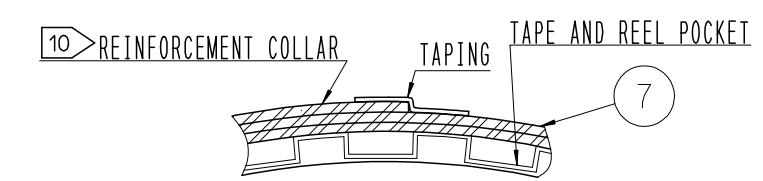
STYLE AND DIMENTION OF REEL (FREE)

EMBOSSED CARRIER TAPE PACKAGING (5:1)

C-C (5:1)

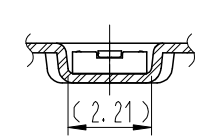


E-E (FREE)



B-B (5:1)

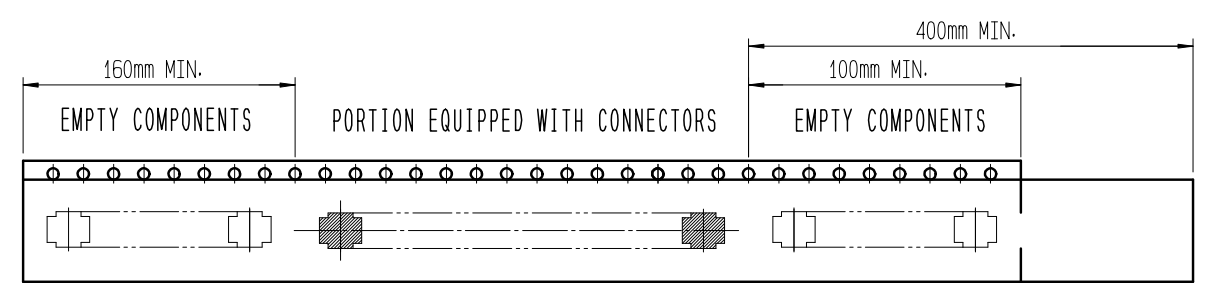
DIRECTION OF UNREELING



9 TAPING(FREE)

DETAIL OF PART No. LABEL

SUPPLIER	
QUANTITY	
PART NO.	
CODE NO.	
DATE OF MANUFACTURED	
生産月日	年 月 日
図番	** ** *
品名	BM23FR0.6-6DS-0.35V(895)
納入数量	1,000個
納入者	HIROSE KOREA



- 7 . PER REEL 1,000 CONNECTORS.
- 8 . THE DIMENSIONS IN PARENTHESSES ARE FOR REFERENCE.
- 9 REFER TO JIS C 0806, IEC-60286-3 (PACKAGING OF COMPONENTS FOR AUTOMATIC HANDLING)
- 10 AFTER PACKAGING, ROLL 2 METERS OF THE REINFORCEMENT COLLAR TO OUTER CIRCUMFERENCE OF TAPE AND REEL POCKET. AND TAPE DOWN AT THE END THE COLLAR.

DRAWING NO. EDC3-632031	PART NO. BM23FR0.6-6DS-0.35V(895)	CODE NO. CL 6644-0057-1-895	3/3
HRS HIROSE KOREA CO., LTD.			

Mouser Electronics

Authorized Distributor

Click to View Pricing, Inventory, Delivery & Lifecycle Information:

[Hirose Electric:](#)

[BM23FR0.6-6DS-0.35V\(895\)](#)