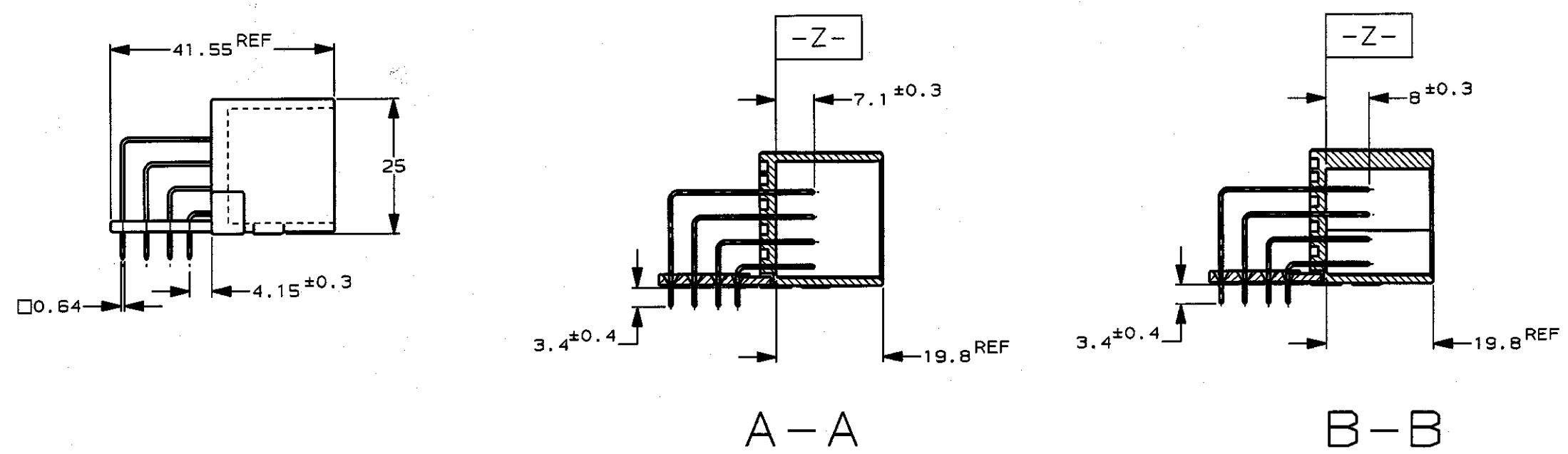
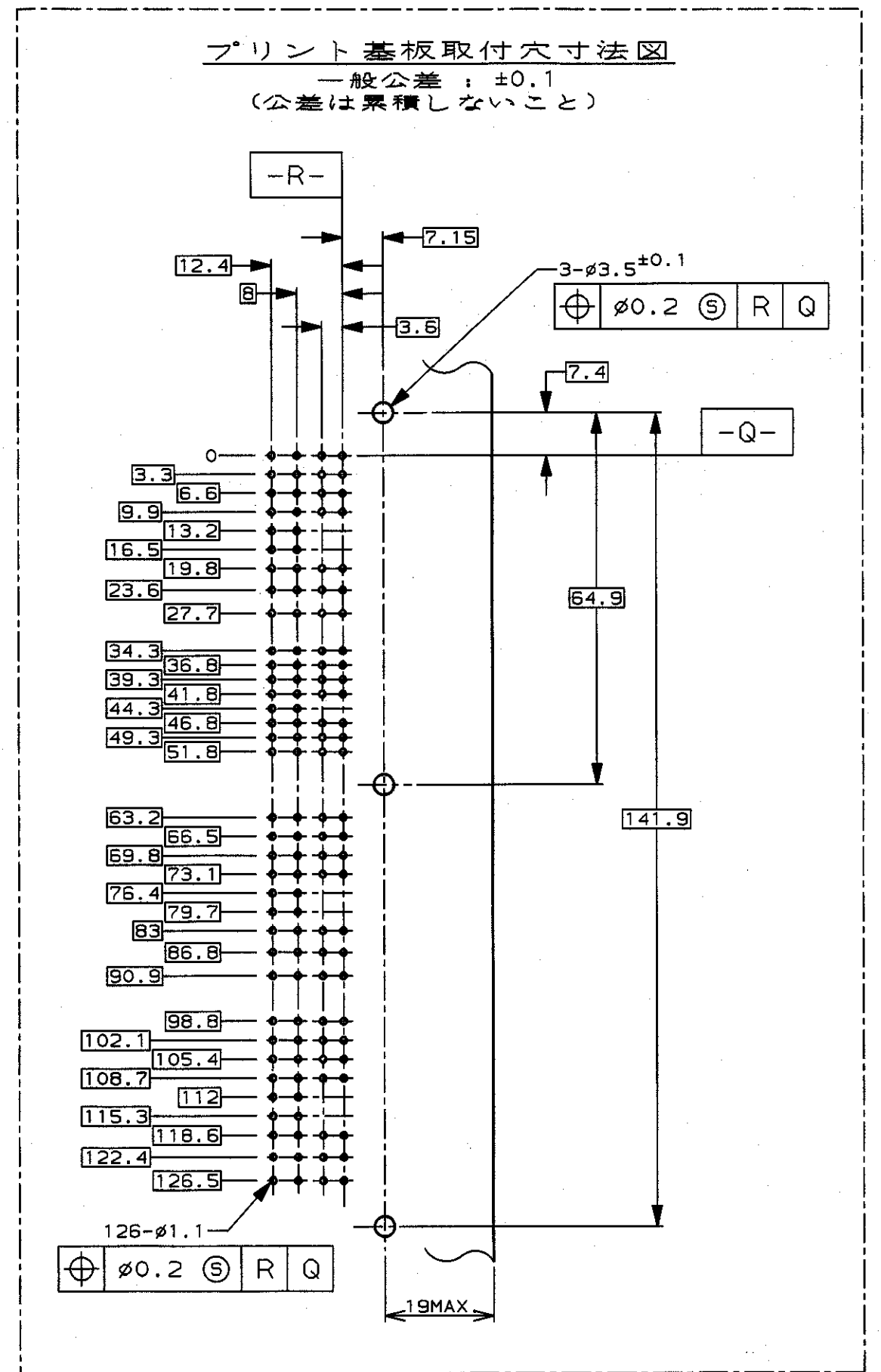
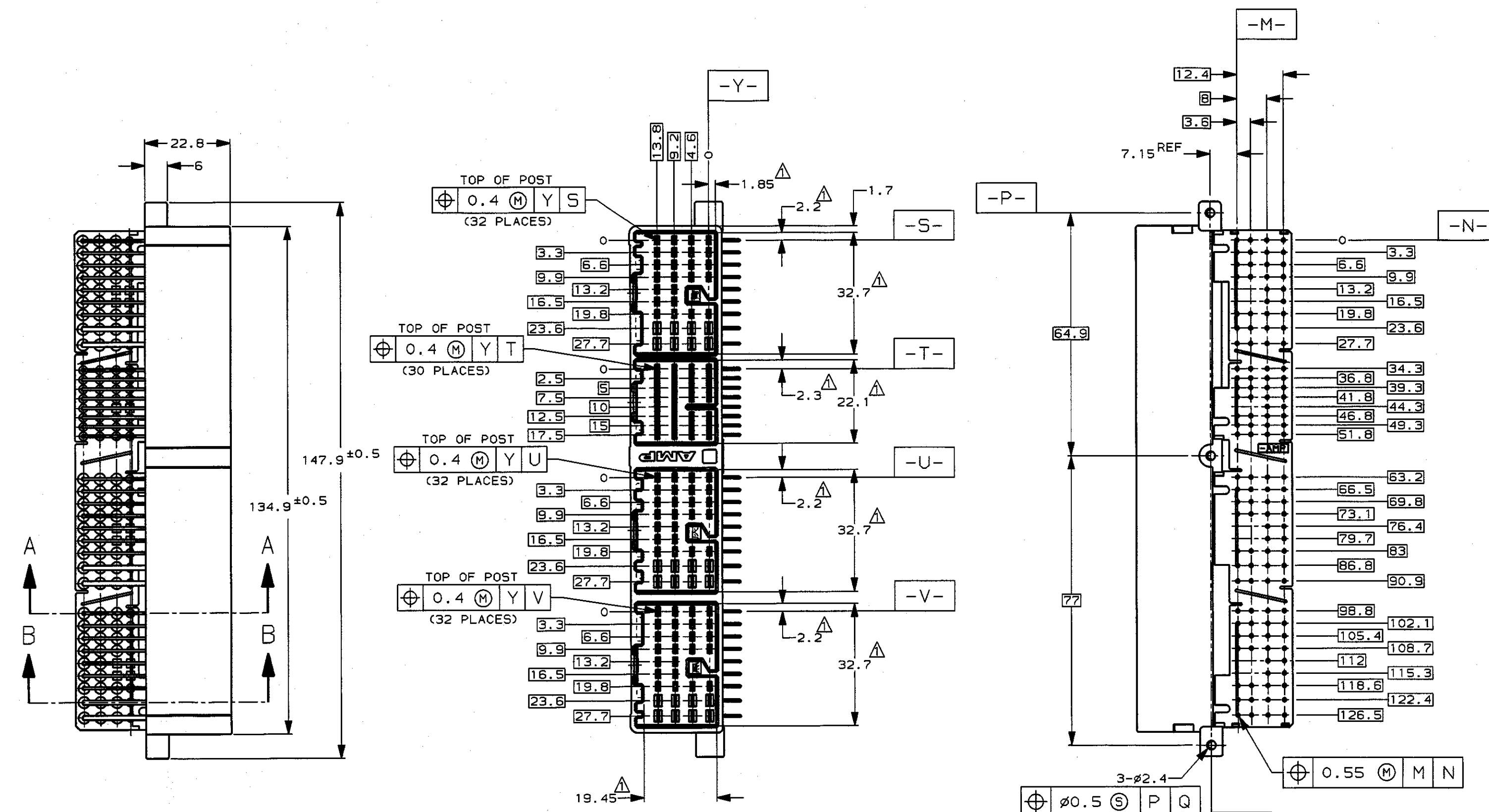


THIS DRAWING IS UNPUBLISHED. RELEASED FOR PUBLICATION .19
 © COPYRIGHT 19 BY AMP INCORPORATED. ALL RIGHTS RESERVED.

REVISIONS						
P	LTR	DESCRIPTION	ECN	DATE	DWN	APVD
0		作成 (RELEASED)	FJ00-1109-97	30JUL97	K.F	K.S
A		変更 (REVISED)	FJ00-0858-99	18MAY99	K.F	K.O



注記
 △ -Z- 面より8.5mmの位置で測定
 2 推奨取付ねじ: JIS B1115, B1122 タッピングねじ, なべ2種
 呼び径3, 長さ6mm以下 (締付けトルク: 0.4N.m (4Kg-cm) 以下)

NOTE
 △ MEASURED AT THE SECTION 8.5mm FROM -Z-
 2 RECOMMENDED SCREW: PAN-HEADED, TYPE 2 TAPPING SCREW
 OF 3D1A X 6LEN(MAX) (JIS B1115, B1122)
 (FASTENING TORQUE FOR SCREW: 0.4N.m (4Kg-cm) MAX)

THIS DRAWING IS A CONTROLLED DOCUMENT FOR AMP INCORPORATED. IT IS SUBJECT TO CHANGE AND THE CONTROLLING ENGINEERING ORGANIZATION SHOULD BE CONTACTED FOR THE LATEST REVISION.		DWN K. FUCHIBE 30JUL97	APVD K. SHIMIZU 30JUL97	NAME 126Pos. CAP HOUSING ASS'Y .040II/.070II HD HYBRID I/O CONN. 126極 キャップ ハウジング アッセンブリ .040II/.070II HD ハイブリット I/O コネクタ .040X102極, .070x24極
DIMENSIONS 単位: 概 mm	TOLERANCES UNLESS OTHERWISE SPECIFIED 一般公差 10mm: ±0.2 30: ±0.25 100: ±0.3 ANGLE: ±3°	CHK K. ODA 30JUL97	INSTRUCTION SHEET 411-5828(-1)	SIZE A2
MATERIAL HOUSING ハウジング: PBT CONTACT コンタクト: BRASS	FINISH HOUSING ハウジング: GRAY CONTACT コンタクト: PRE-TIN	APVD K. SHIMIZU 30JUL97	WEIGHT 54.3g	CAGE CODE 00779
CUSTOMER DRAWING		DRAWING NO C-353222		SCALE 1-1
		SHEET 1 OF 1		REV A