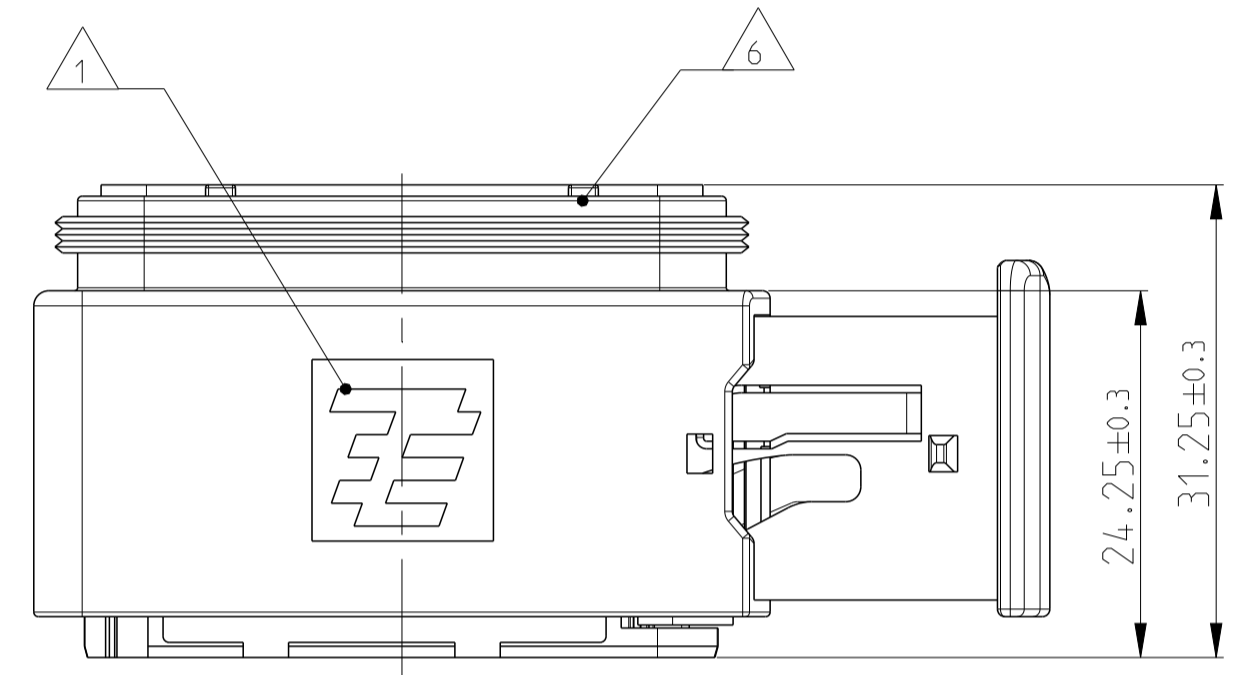
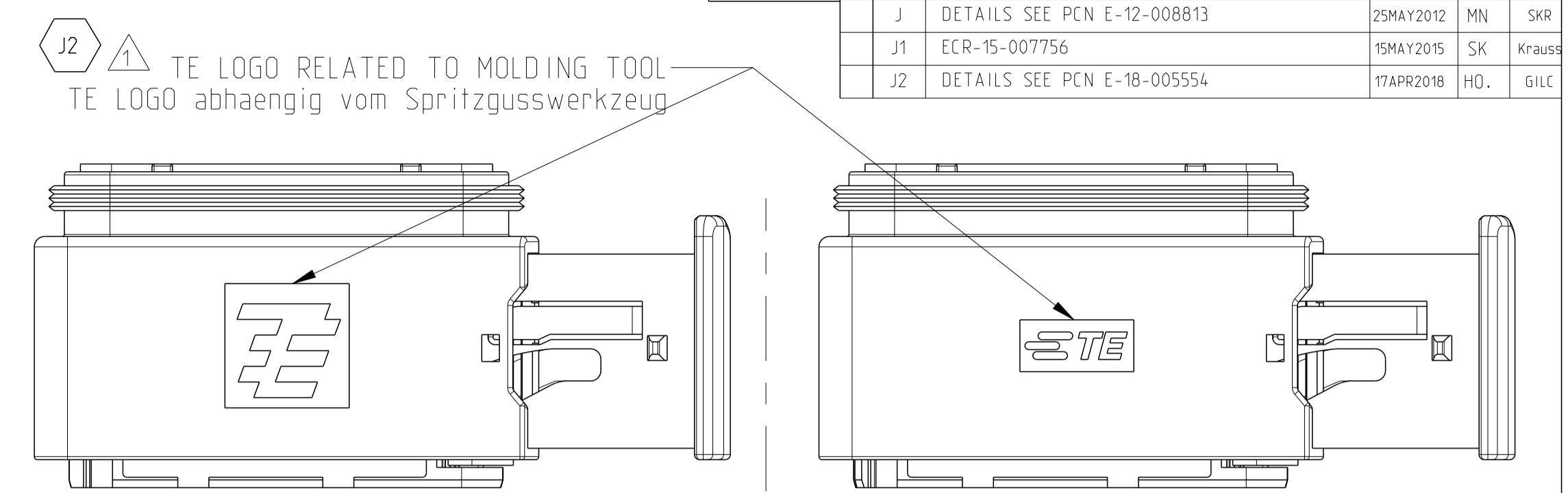
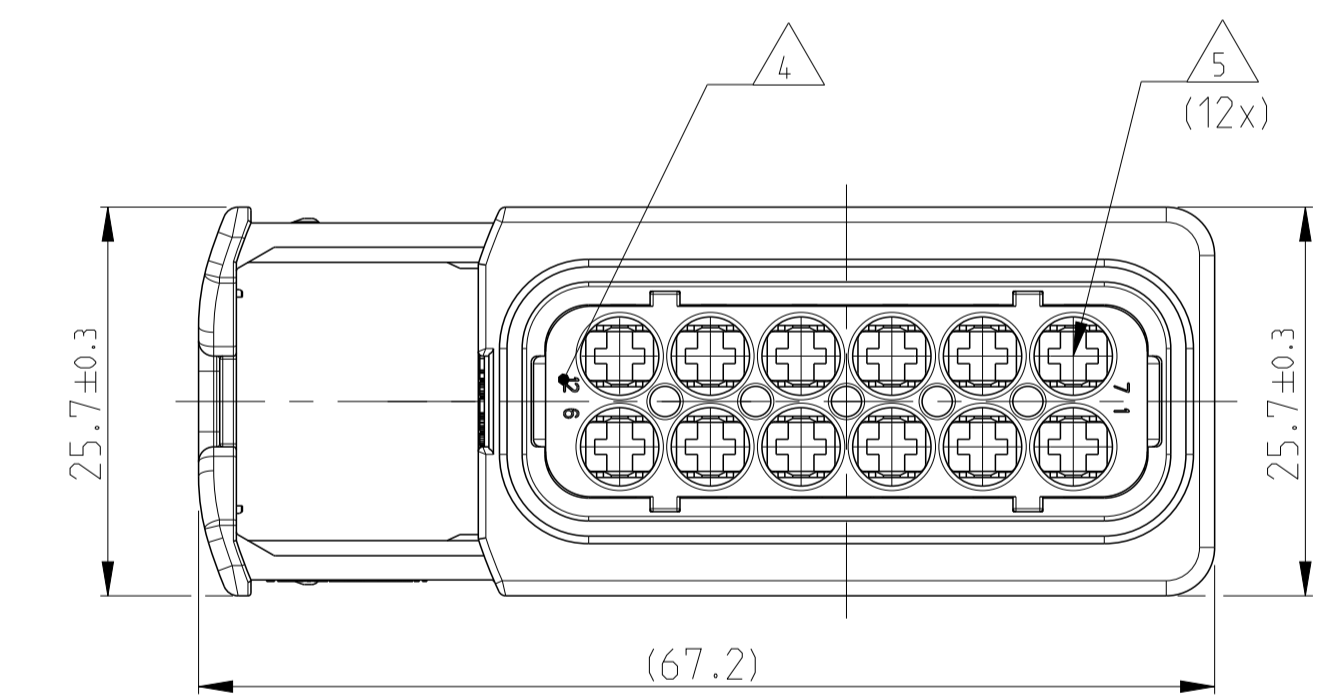
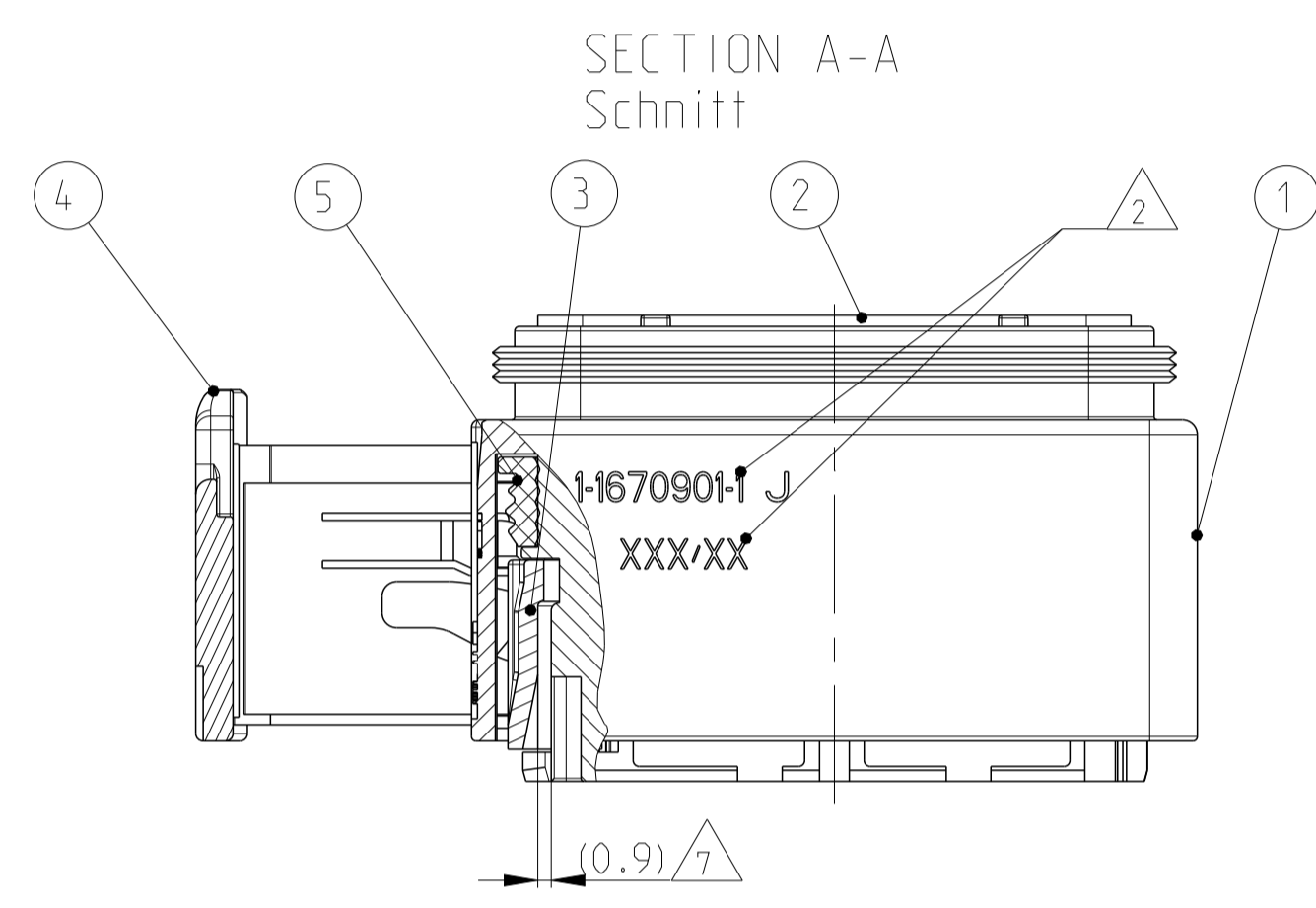
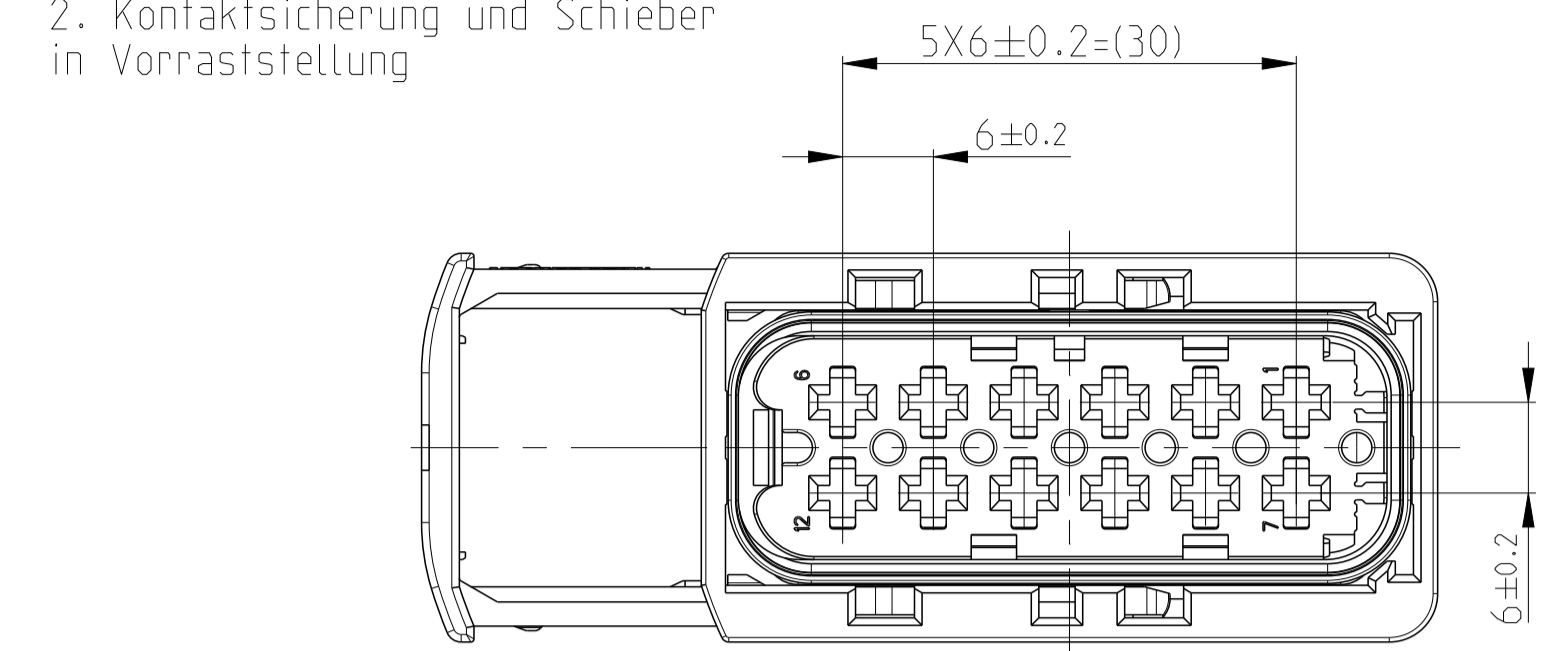
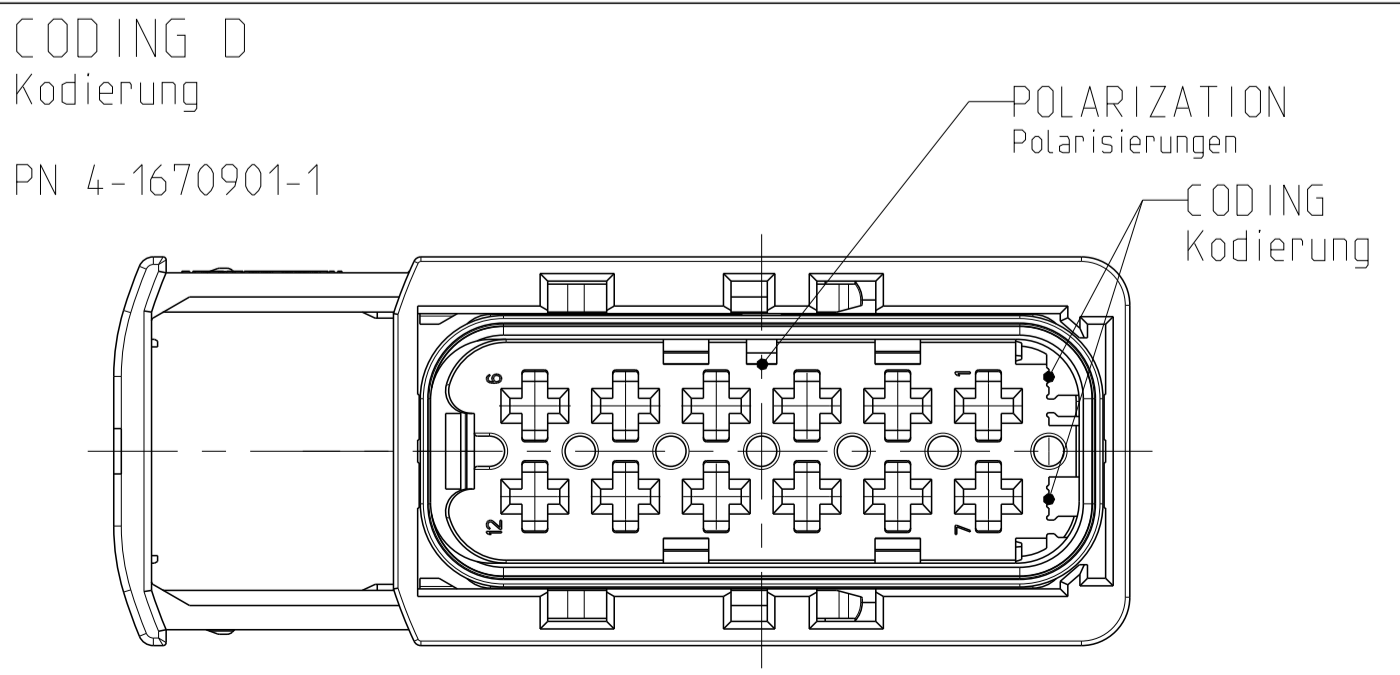
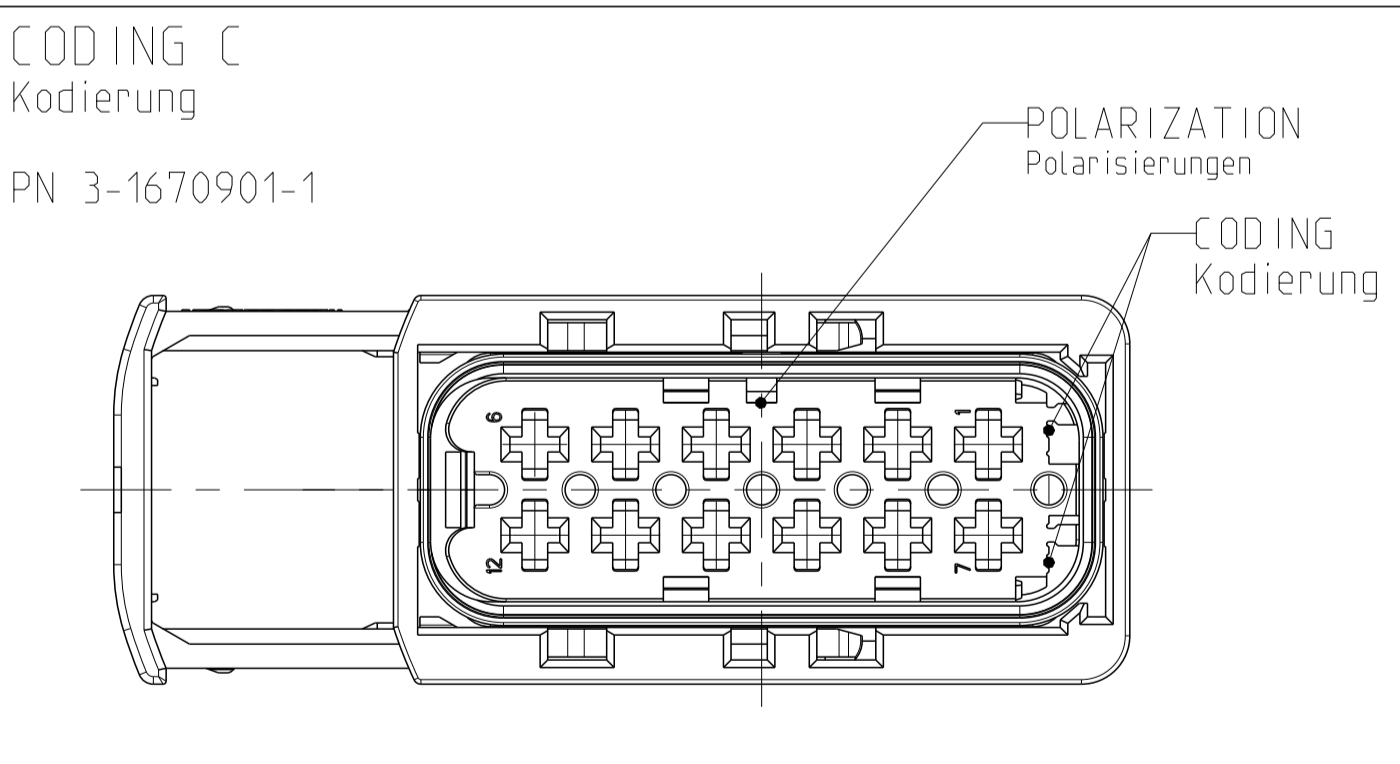
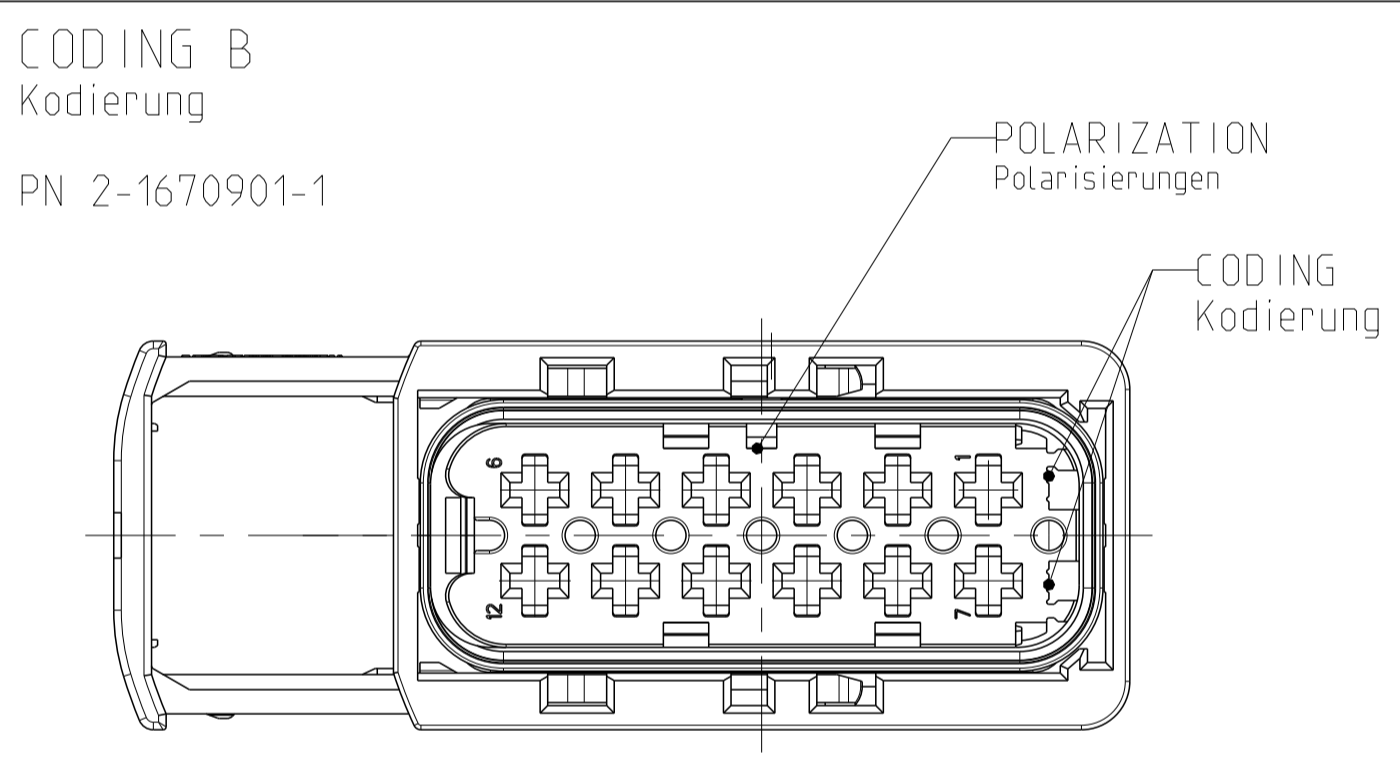
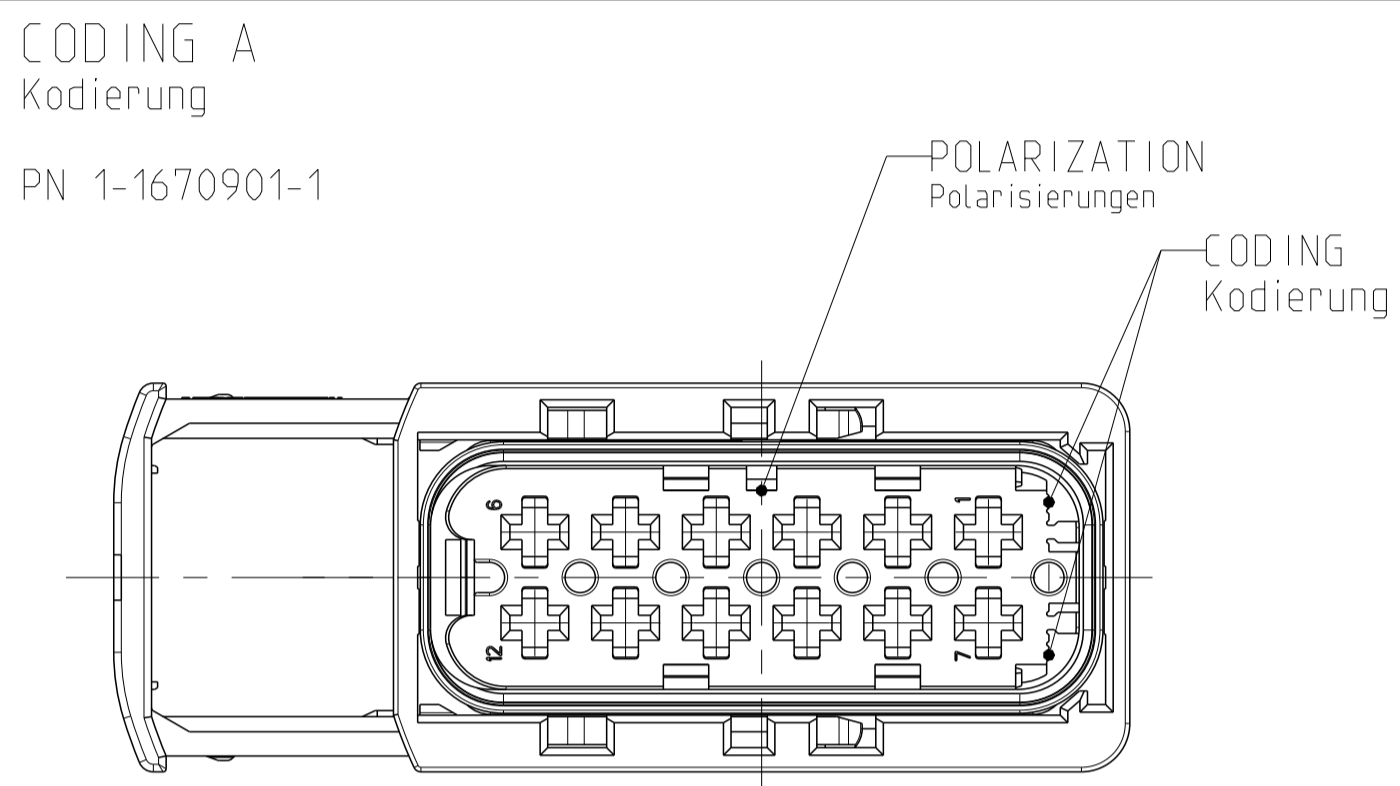
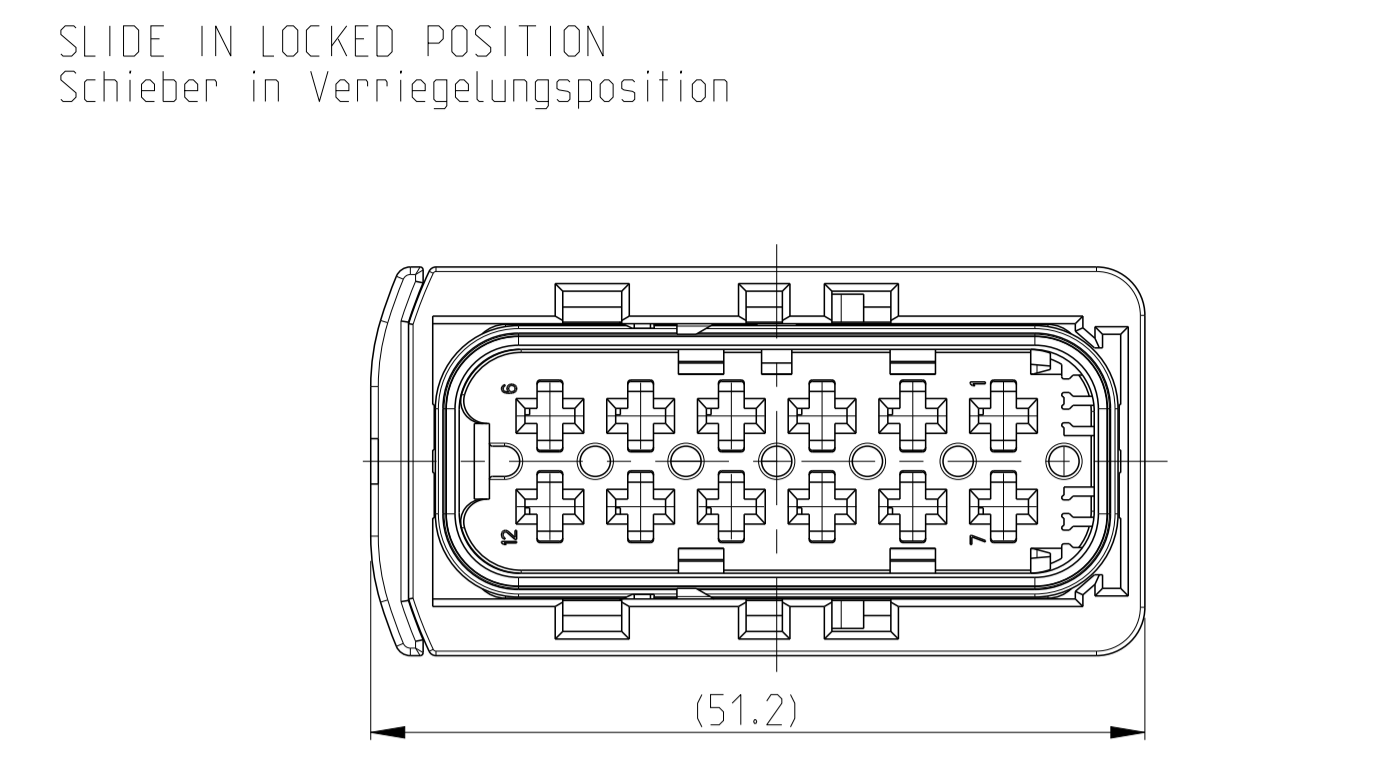


DELIVERY CONDITION:  
 Lieferzustand:

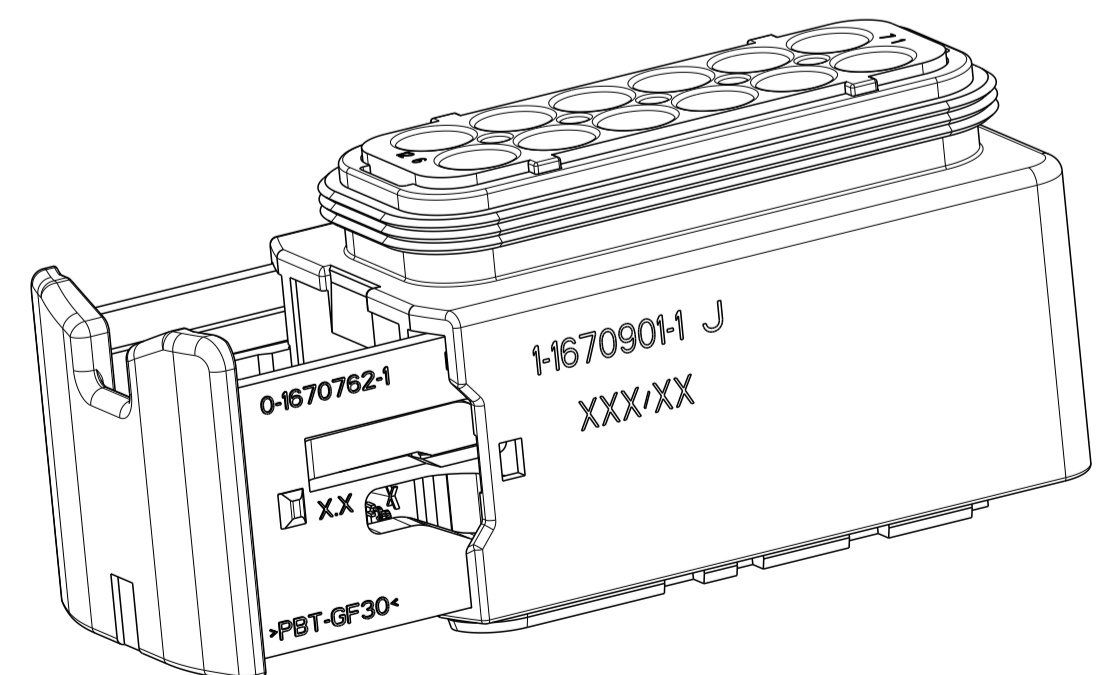
SECONDARY LOCKING AND SLIDE  
 IN PRE-LOCKED POSITION  
 2. Kontaktsicherung und Schieber  
 in Vorraststellung

1-1670901-1 AS SHOWN  
 1-1670901-1 wie gezeigt

LOC	DIST	REV	DATE	BY	CHK	APVD
A1	-	H1	01FEB2012	Mh	Kraus	
		J	25MAY2012	MN	SKR	
		J1	15MAY2015	SK	Kraus	
		J2	17APR2016	HD	GILC	



- NOTES  
 Bemerkungen
- TE LOGO  
 TE Logo
  - ASSY PN, PRODUCTION DATE (CALENDAR DAY/YEAR);  
 MARKING OPTIONAL AS LASER ENGRAVING OR  
 LASER WITH COLOR CHANGE  
 Assy PN, Produktionsdatum (Kalendertag/Jahr);  
 Beschriftung wahlweise als Lasergravur oder Laser mit Farbumschlag
  - BULK PACKAGING IN CORRUGATED BOX  
 Schüttgut im Versandkarton
  - CAVITY NUMBERING  
 Kammerbezeichnung
  - CAVITIES MATED WITH AMP MCP 2.8  
 SEE PRODUCT GROUP DRAWING  
 TE NO: 1355036  
 MAX. WIRE SIZE: 2.5mm<sup>2</sup> FLR (AWG12 TXL)  
 Kontaktkammern passend fuer AMP MCP 2.8  
 siehe Produktgruppenzeichnung  
 TE Nr: 1355036  
 max. Drahtgroessenbereich: 2.5mm<sup>2</sup> FLR (AWG12 TXL)
  - SUITABLE COVERS PN 1670865, 1670866  
 Passende Kappen PN 1670865, 1670866
  - SLIDING DISTANCE OF SECONDARY LOCKING  
 Verschiebeweg der 2. Kontaktsicherung
  - FITS TO TE INTERFACE DRAWING 114-18799-1  
 Passend zur Ausfuehrungsvorschrift 114-18799-1
  - SUITABLE COUNTERPART TE-NO. N.N  
 passendes Gegenstueck TE-Nr. N.N
  - MAJUNCTION CAUSED BY LACQUER IS NOT  
 COVERED BY TYCO ELECTRONICS WARRANTY.  
 Funktionsbeeintraechtigung durch Lackieren liegt nicht im  
 Einfluss und Gewaehrleistungsumfang von Tyco Electronics.



TE ORDER-NO. Bestell-Nr.	REV.	NO. OF POS. Polzahl	CODE Kodierung	COLOUR OF CAVITY BLOCK Farbe des Kammerblocks	QUANTITY Stueck	ITEM NO ASSY	MATERIAL	DESCRIPTION Beschreibung
4-1670901-1	J	12	D	BLUE Blau	1	4	PBT-GF30 / V-0	RECEPTACLE HSG Buchsengehäuse
3-1670901-1	J	12	C	GREEN gruen	1	3	PBT-GF30 / V-0	2POS. AMP MCP 2.8 CAVITY BLOCK CODE "A" 2DOK. AMP MCP 2.8 Kammerblock Kodierung "A"
2-1670901-1	J	12	B	GREY grau	1	2	PBT-GF30 / V-0	2POS. AMP MCP 2.8 CAVITY BLOCK CODE "B" 2DOK. AMP MCP 2.8 Kammerblock Kodierung "B"
1-1670901-1	J	12	A	BLACK schwarz	1	1	PBT-GF30 / V-0	2POS. AMP MCP 2.8 CAVITY BLOCK CODE "C" 2DOK. AMP MCP 2.8 Kammerblock Kodierung "C"
					1	1	PBT-GF30 / V-0	2POS. AMP MCP 2.8 CAVITY BLOCK CODE "D" 2DOK. AMP MCP 2.8 Kammerblock Kodierung "D"
					1	1	PBT-GF30 / V-0	2POS. AMP MCP 2.8 CAVITY BLOCK CODE "E" 2DOK. AMP MCP 2.8 Kammerblock Kodierung "E"
					1	1	PBT-GF30 / V-0	2POS. AMP MCP 2.8 CAVITY BLOCK CODE "F" 2DOK. AMP MCP 2.8 Kammerblock Kodierung "F"
					1	1	PBT-GF30 / V-0	2POS. AMP MCP 2.8 CAVITY BLOCK CODE "G" 2DOK. AMP MCP 2.8 Kammerblock Kodierung "G"
					1	1	PBT-GF30 / V-0	2POS. AMP MCP 2.8 CAVITY BLOCK CODE "H" 2DOK. AMP MCP 2.8 Kammerblock Kodierung "H"
					1	1	PBT-GF30 / V-0	2POS. AMP MCP 2.8 CAVITY BLOCK CODE "I" 2DOK. AMP MCP 2.8 Kammerblock Kodierung "I"
					1	1	PBT-GF30 / V-0	2POS. AMP MCP 2.8 CAVITY BLOCK CODE "J" 2DOK. AMP MCP 2.8 Kammerblock Kodierung "J"
					1	1	PBT-GF30 / V-0	2POS. AMP MCP 2.8 CAVITY BLOCK CODE "K" 2DOK. AMP MCP 2.8 Kammerblock Kodierung "K"
					1	1	PBT-GF30 / V-0	2POS. AMP MCP 2.8 CAVITY BLOCK CODE "L" 2DOK. AMP MCP 2.8 Kammerblock Kodierung "L"
					1	1	PBT-GF30 / V-0	2POS. AMP MCP 2.8 CAVITY BLOCK CODE "M" 2DOK. AMP MCP 2.8 Kammerblock Kodierung "M"
					1	1	PBT-GF30 / V-0	2POS. AMP MCP 2.8 CAVITY BLOCK CODE "N" 2DOK. AMP MCP 2.8 Kammerblock Kodierung "N"
					1	1	PBT-GF30 / V-0	2POS. AMP MCP 2.8 CAVITY BLOCK CODE "O" 2DOK. AMP MCP 2.8 Kammerblock Kodierung "O"
					1	1	PBT-GF30 / V-0	2POS. AMP MCP 2.8 CAVITY BLOCK CODE "P" 2DOK. AMP MCP 2.8 Kammerblock Kodierung "P"
					1	1	PBT-GF30 / V-0	2POS. AMP MCP 2.8 CAVITY BLOCK CODE "Q" 2DOK. AMP MCP 2.8 Kammerblock Kodierung "Q"
					1	1	PBT-GF30 / V-0	2POS. AMP MCP 2.8 CAVITY BLOCK CODE "R" 2DOK. AMP MCP 2.8 Kammerblock Kodierung "R"
					1	1	PBT-GF30 / V-0	2POS. AMP MCP 2.8 CAVITY BLOCK CODE "S" 2DOK. AMP MCP 2.8 Kammerblock Kodierung "S"
					1	1	PBT-GF30 / V-0	2POS. AMP MCP 2.8 CAVITY BLOCK CODE "T" 2DOK. AMP MCP 2.8 Kammerblock Kodierung "T"
					1	1	PBT-GF30 / V-0	2POS. AMP MCP 2.8 CAVITY BLOCK CODE "U" 2DOK. AMP MCP 2.8 Kammerblock Kodierung "U"
					1	1	PBT-GF30 / V-0	2POS. AMP MCP 2.8 CAVITY BLOCK CODE "V" 2DOK. AMP MCP 2.8 Kammerblock Kodierung "V"
					1	1	PBT-GF30 / V-0	2POS. AMP MCP 2.8 CAVITY BLOCK CODE "W" 2DOK. AMP MCP 2.8 Kammerblock Kodierung "W"
					1	1	PBT-GF30 / V-0	2POS. AMP MCP 2.8 CAVITY BLOCK CODE "X" 2DOK. AMP MCP 2.8 Kammerblock Kodierung "X"
					1	1	PBT-GF30 / V-0	2POS. AMP MCP 2.8 CAVITY BLOCK CODE "Y" 2DOK. AMP MCP 2.8 Kammerblock Kodierung "Y"
					1	1	PBT-GF30 / V-0	2POS. AMP MCP 2.8 CAVITY BLOCK CODE "Z" 2DOK. AMP MCP 2.8 Kammerblock Kodierung "Z"
					1	1	PBT-GF30 / V-0	2POS. AMP MCP 2.8 CAVITY BLOCK CODE "AA" 2DOK. AMP MCP 2.8 Kammerblock Kodierung "AA"
					1	1	PBT-GF30 / V-0	2POS. AMP MCP 2.8 CAVITY BLOCK CODE "AB" 2DOK. AMP MCP 2.8 Kammerblock Kodierung "AB"
					1	1	PBT-GF30 / V-0	2POS. AMP MCP 2.8 CAVITY BLOCK CODE "AC" 2DOK. AMP MCP 2.8 Kammerblock Kodierung "AC"
					1	1	PBT-GF30 / V-0	2POS. AMP MCP 2.8 CAVITY BLOCK CODE "AD" 2DOK. AMP MCP 2.8 Kammerblock Kodierung "AD"
					1	1	PBT-GF30 / V-0	2POS. AMP MCP 2.8 CAVITY BLOCK CODE "AE" 2DOK. AMP MCP 2.8 Kammerblock Kodierung "AE"
					1	1	PBT-GF30 / V-0	2POS. AMP MCP 2.8 CAVITY BLOCK CODE "AF" 2DOK. AMP MCP 2.8 Kammerblock Kodierung "AF"
					1	1	PBT-GF30 / V-0	2POS. AMP MCP 2.8 CAVITY BLOCK CODE "AG" 2DOK. AMP MCP 2.8 Kammerblock Kodierung "AG"
					1	1	PBT-GF30 / V-0	2POS. AMP MCP 2.8 CAVITY BLOCK CODE "AH" 2DOK. AMP MCP 2.8 Kammerblock Kodierung "AH"
					1	1	PBT-GF30 / V-0	2POS. AMP MCP 2.8 CAVITY BLOCK CODE "AI" 2DOK. AMP MCP 2.8 Kammerblock Kodierung "AI"
					1	1	PBT-GF30 / V-0	2POS. AMP MCP 2.8 CAVITY BLOCK CODE "AJ" 2DOK. AMP MCP 2.8 Kammerblock Kodierung "AJ"
					1	1	PBT-GF30 / V-0	2POS. AMP MCP 2.8 CAVITY BLOCK CODE "AK" 2DOK. AMP MCP 2.8 Kammerblock Kodierung "AK"
					1	1	PBT-GF30 / V-0	2POS. AMP MCP 2.8 CAVITY BLOCK CODE "AL" 2DOK. AMP MCP 2.8 Kammerblock Kodierung "AL"
					1	1	PBT-GF30 / V-0	2POS. AMP MCP 2.8 CAVITY BLOCK CODE "AM" 2DOK. AMP MCP 2.8 Kammerblock Kodierung "AM"
					1	1	PBT-GF30 / V-0	2POS. AMP MCP 2.8 CAVITY BLOCK CODE "AN" 2DOK. AMP MCP 2.8 Kammerblock Kodierung "AN"
					1	1	PBT-GF30 / V-0	2POS. AMP MCP 2.8 CAVITY BLOCK CODE "AO" 2DOK. AMP MCP 2.8 Kammerblock Kodierung "AO"
					1	1	PBT-GF30 / V-0	2POS. AMP MCP 2.8 CAVITY BLOCK CODE "AP" 2DOK. AMP MCP 2.8 Kammerblock Kodierung "AP"
					1	1	PBT-GF30 / V-0	2POS. AMP MCP 2.8 CAVITY BLOCK CODE "AQ" 2DOK. AMP MCP 2.8 Kammerblock Kodierung "AQ"
					1	1	PBT-GF30 / V-0	2POS. AMP MCP 2.8 CAVITY BLOCK CODE "AR" 2DOK. AMP MCP 2.8 Kammerblock Kodierung "AR"
					1	1	PBT-GF30 / V-0	2POS. AMP MCP 2.8 CAVITY BLOCK CODE "AS" 2DOK. AMP MCP 2.8 Kammerblock Kodierung "AS"
					1	1	PBT-GF30 / V-0	2POS. AMP MCP 2.8 CAVITY BLOCK CODE "AT" 2DOK. AMP MCP 2.8 Kammerblock Kodierung "AT"
					1	1	PBT-GF30 / V-0	2POS. AMP MCP 2.8 CAVITY BLOCK CODE "AU" 2DOK. AMP MCP 2.8 Kammerblock Kodierung "AU"
					1	1	PBT-GF30 / V-0	2POS. AMP MCP 2.8 CAVITY BLOCK CODE "AV" 2DOK. AMP MCP 2.8 Kammerblock Kodierung "AV"
					1	1	PBT-GF30 / V-0	2POS. AMP MCP 2.8 CAVITY BLOCK CODE "AW" 2DOK. AMP MCP 2.8 Kammerblock Kodierung "AW"
					1	1	PBT-GF30 / V-0	2POS. AMP MCP 2.8 CAVITY BLOCK CODE "AX" 2DOK. AMP MCP 2.8 Kammerblock Kodierung "AX"
					1	1	PBT-GF30 / V-0	2POS. AMP MCP 2.8 CAVITY BLOCK CODE "AY" 2DOK. AMP MCP 2.8 Kammerblock Kodierung "AY"
					1	1	PBT-GF30 / V-0	2POS. AMP MCP 2.8 CAVITY BLOCK CODE "AZ" 2DOK. AMP MCP 2.8 Kammerblock Kodierung "AZ"
					1	1	PBT-GF30 / V-0	2POS. AMP MCP 2.8 CAVITY BLOCK CODE "BA" 2DOK. AMP MCP 2.8 Kammerblock Kodierung "BA"
					1	1	PBT-GF30 / V-0	2POS. AMP MCP 2.8 CAVITY BLOCK CODE "BB" 2DOK. AMP MCP 2.8 Kammerblock Kodierung "BB"
					1	1	PBT-GF30 / V-0	2POS. AMP MCP 2.8 CAVITY BLOCK CODE "BC" 2DOK. AMP MCP 2.8 Kammerblock Kodierung "BC"
					1	1	PBT-GF30 / V-0	2POS. AMP MCP 2.8 CAVITY BLOCK CODE "BD" 2DOK. AMP MCP 2.8 Kammerblock Kodierung "BD"
					1	1	PBT-GF30 / V-0	2POS. AMP MCP 2.8 CAVITY BLOCK CODE "BE" 2DOK. AMP MCP 2.8 Kammerblock Kodierung "BE"
					1	1	PBT-GF30 / V-0	2POS. AMP MCP 2.8 CAVITY BLOCK CODE "BF" 2DOK. AMP MCP 2.8 Kammerblock Kodierung "BF"
					1	1	PBT-GF30 / V-0	2POS. AMP MCP 2.8 CAVITY BLOCK CODE "BG" 2DOK. AMP MCP 2.8 Kammerblock Kodierung "BG"
					1	1	PBT-GF30 / V-0	2POS. AMP MCP 2.8 CAVITY BLOCK CODE "BH" 2DOK. AMP MCP 2.8 Kammerblock Kodierung "BH"
					1	1	PBT-GF30 / V-0	2POS. AMP MCP 2.8 CAVITY BLOCK CODE "BI" 2DOK. AMP MCP 2.8 Kammerblock Kodierung "BI"
					1	1	PBT-GF30 / V-0	2POS. AMP MCP 2.8 CAVITY BLOCK CODE "BJ" 2DOK. AMP MCP 2.8 Kammerblock Kodierung "BJ"
					1	1	PBT-GF30 / V-0	2POS. AMP MCP 2.8 CAVITY BLOCK CODE "BK" 2DOK. AMP MCP 2.8 Kammerblock Kodierung "BK"
					1	1	PBT-GF30 / V-0	2POS. AMP MCP 2.8 CAVITY BLOCK CODE "BL" 2DOK. AMP MCP 2.8 Kammerblock Kodierung "BL"
					1	1	PBT-GF30 / V-0	2POS. AMP MCP 2.8 CAVITY BLOCK CODE "BM" 2DOK. AMP MCP 2.8 Kammerblock Kodierung "BM"
					1	1	PBT-GF30 / V-0	2POS. AMP MCP 2.8 CAVITY BLOCK CODE "BN" 2DOK. AMP MCP 2.8 Kammerblock Kodierung "BN"
					1	1	PBT-GF30 / V-0	2POS. AMP MCP 2.8 CAVITY BLOCK CODE "BO" 2DOK. AMP MCP 2.8 Kammerblock Kodierung "BO"
					1	1	PBT-GF30 / V-0	2POS. AMP MCP 2.8 CAVITY BLOCK CODE "BP" 2DOK. AMP MCP 2.8 Kammerblock Kodierung "BP"
					1	1	PBT-GF30 / V-0	2POS. AMP MCP 2.8 CAVITY BLOCK CODE "BQ" 2DOK. AMP MCP 2.8 Kammerblock Kodierung "BQ"
					1	1	PBT-GF30 / V-0	2POS. AMP MCP 2.8 CAVITY BLOCK CODE "BR" 2DOK. AMP MCP 2.8 Kammerblock Kodierung "BR"
					1	1	PBT-GF30 / V-0	2POS. AMP MCP 2.8 CAVITY BLOCK CODE "BS" 2DOK. AMP MCP 2.8 Kammerblock Kodierung "BS"
					1	1	PBT-GF30 / V-0	2POS. AMP MCP 2.8 CAVITY BLOCK CODE "BT" 2DOK. AMP MCP 2.8 Kammerblock Kodierung "BT"
					1	1	PBT-GF30 / V-0	2POS. AMP MCP 2.8 CAVITY BLOCK CODE "BU" 2DOK. AMP MCP 2.8 Kammerblock Kodierung "BU"
					1	1	PBT-GF30 / V-0	2POS. AMP MCP 2.8 CAVITY BLOCK CODE "BV" 2DOK. AMP MCP 2.8 Kammerblock Kodierung "BV"
					1	1	PBT-GF30 / V-0	2POS. AMP MCP 2.8 CAVITY BLOCK CODE "BW" 2DOK. AMP MCP 2.8 Kammerblock Kodierung "BW"
					1	1	PBT-GF30 / V-0	2POS. AMP MCP 2.8 CAVITY BLOCK CODE "BX" 2DOK. AMP MCP 2.8 Kammerblock Kodierung "BX"
					1	1	PBT-GF30 / V-0	2POS. AMP MCP 2.8 CAVITY BLOCK CODE "BY" 2DOK. AMP MCP 2.8 Kammerblock Kodierung "BY"
					1	1	PBT-GF30 / V-0	2POS. AMP MCP 2.8 CAVITY BLOCK CODE "BZ" 2DOK. AMP MCP 2.8 Kammerblock Kodierung "BZ"
					1	1	PBT-GF30 / V-0	2POS. AMP MCP 2.8 CAVITY BLOCK CODE "CA" 2DOK. AMP MCP 2.8 Kammerblock Kodierung "CA"
					1	1	PBT-GF30 / V-0	2POS. AMP MCP 2.8 CAVITY BLOCK CODE "CB" 2DOK. AMP MCP 2.8 Kammerblock Kodierung "CB"
					1	1	PBT-GF30 / V-0	2POS. AMP MCP 2.8 CAVITY BLOCK CODE "CC" 2DOK. AMP MCP 2.8 Kammerblock Kodierung "CC"
					1	1	PBT-GF30 / V-0	2POS. AMP MCP 2.8 CAVITY BLOCK CODE "CD" 2DOK. AMP MCP 2.8 Kammerblock Kodierung "CD"
					1	1	PBT-GF30 / V-0	2POS. AMP MCP 2.8 CAVITY BLOCK CODE "CE" 2DOK. AMP MCP 2.8 Kammerblock Kodierung "CE"
					1	1	PBT-GF30 / V-0	2POS. AMP MCP 2.8 CAVITY BLOCK CODE "CF" 2DOK. AMP MCP 2.8 Kammerblock Kodierung "CF"
					1	1	PBT-GF30 / V-0	2POS. AMP MCP 2.8 CAVITY BLOCK CODE "CG" 2DOK. AMP MCP 2.8 Kammerblock Kodierung "CG"
					1	1	PBT-GF30 / V-0	2POS. AMP MCP 2.8 CAVITY BLOCK CODE "CH" 2DOK. AMP MCP 2.8 Kammerblock Kodierung "CH"
					1	1	PBT-GF30 / V-0	2POS. AMP MCP 2.8 CAVITY BLOCK CODE "CI" 2DOK. AMP MCP 2.8 Kammerblock Kodierung "CI"
					1	1	PBT-GF30 / V-0	2POS. AMP MCP 2.8 CAVITY BLOCK CODE "CJ" 2DOK. AMP MCP 2.8 Kammerblock Kodierung "CJ"
					1	1	PBT-GF30 / V-0	2POS. AMP MCP 2.8 CAVITY BLOCK CODE "CK" 2DOK. AMP MCP 2.8 Kammerblock Kodierung "CK"
					1	1	PBT-GF30 / V-0	2POS. AMP MCP 2.8 CAVITY BLOCK CODE "CL" 2DOK. AMP MCP 2.8 Kammerblock Kodierung "CL"
					1	1	PBT-GF30 / V-0	2POS. AMP MCP 2.8 CAVITY BLOCK CODE "CM" 2DOK. AMP MCP 2.8 Kammerblock Kodierung "CM"
					1	1	PBT-GF30 / V-0	2POS. AMP MCP 2.8 CAVITY BLOCK CODE "CN" 2DOK. AMP MCP 2.8 Kammerblock Kodierung "CN"
					1	1	PBT-GF30 / V-0	2POS. AMP MCP 2.8 CAVITY BLOCK CODE "CO" 2DOK. AMP MCP 2.8 Kammerblock Kodierung "CO"
					1	1	PBT-GF30 / V-0	2POS. AMP MCP 2.8 CAVITY BLOCK CODE "CP" 2DOK. AMP MCP 2.8 Kammerblock Kodierung "CP"

# Mouser Electronics

Authorized Distributor

Click to View Pricing, Inventory, Delivery & Lifecycle Information:

[TE Connectivity:](#)

[1-1670901-1](#)