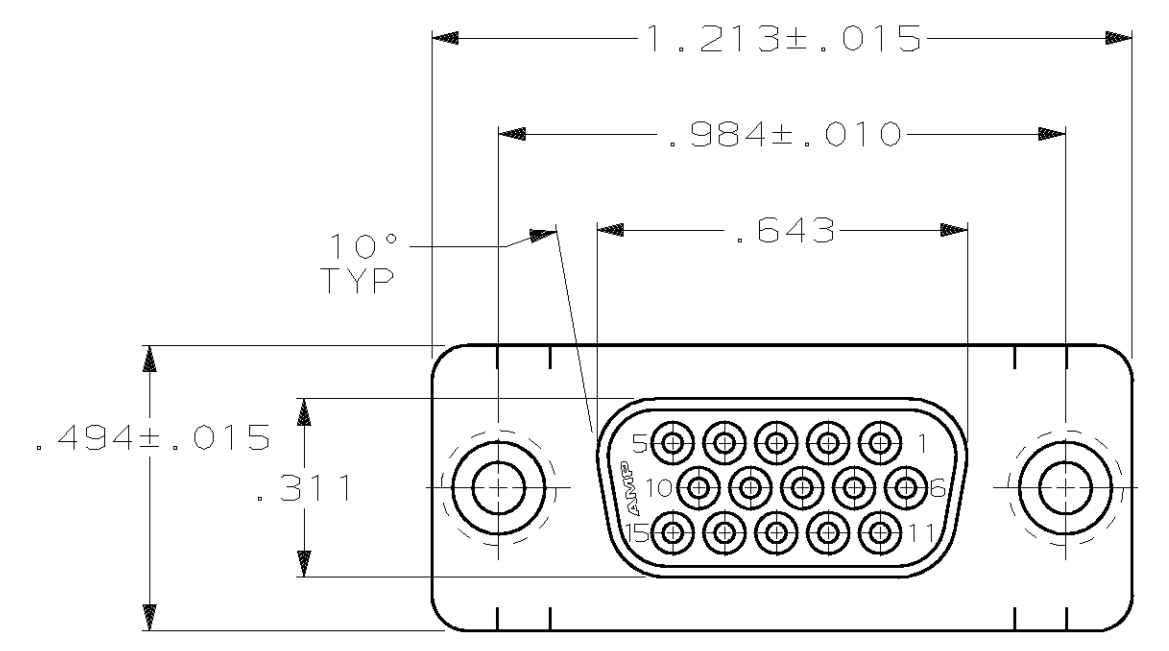
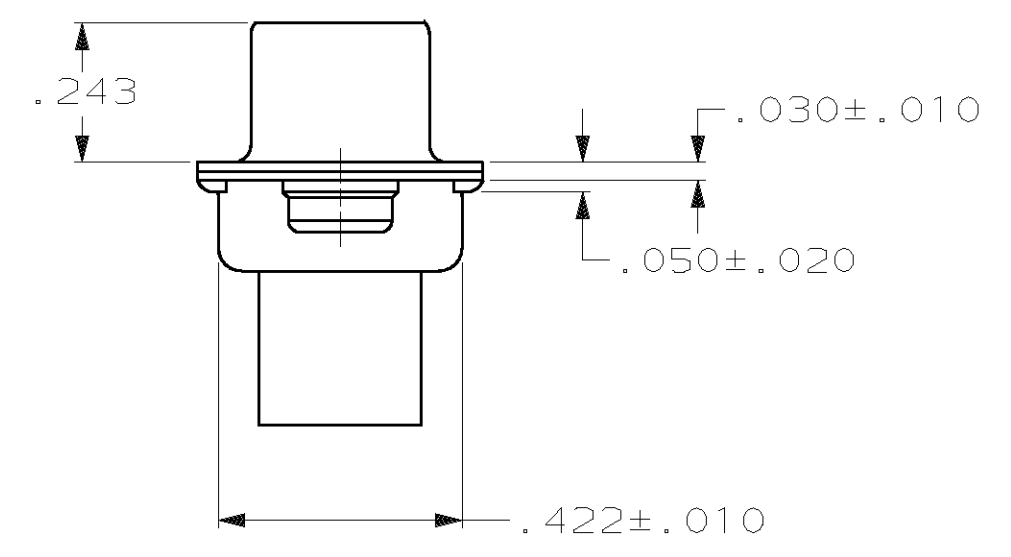
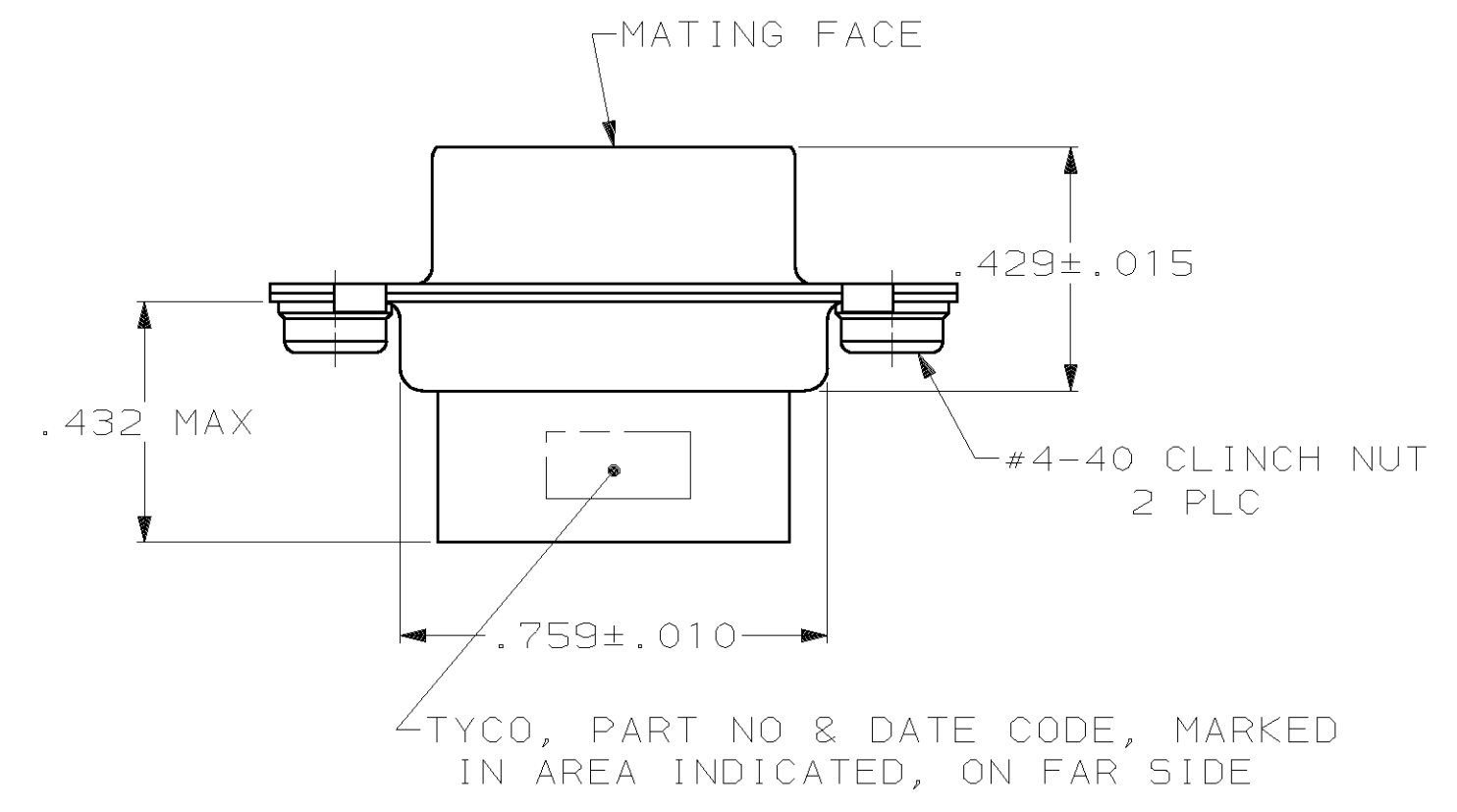


THIS DRAWING IS UNPUBLISHED. RELEASED FOR PUBLICATION
 (C) COPYRIGHT 19 BY AMP INCORPORATED. ALL RIGHTS RESERVED.

LOC	DIST	REVISIONS			
P	LTR	DESCRIPTION	DATE	DWN	APVD
GP	00	0	RELEASED PER EC 0513-0209-03	02JAN04	LB 5B



1. CONNECTOR ACCEPTS 22 DF SOCKET CONTACTS, RETENTION TINES ARE AN INTEGRAL PART OF INSERT.
- 2 FLAME RETARDANT 94V-0 RATED GLASS FILLED NYLON, COLOR: BLACK.
- 3 CARBON STEEL.
- 4 .000200 MIN. TIN PLATE OVER .000100 MIN. COPPER UNDERPLATE.
- 5 CLEAR CHROMATE OVER ZINC PLATE.



1658690-1
PART NUMBER

THIS DRAWING IS A CONTROLLED DOCUMENT.		DWN L. BAUM 02JAN04	AMP Incorporated Harrisburg, PA 17105-3608	
DIMENSIONS: INCH		CHK S. BOLASH 02JAN04		
		APVD M. WALMSLEY 02JAN04		
TOLERANCES UNLESS OTHERWISE SPECIFIED: 0 PLC ±- 1 PLC ±- 2 PLC ±- 3 PLC ±.005 4 PLC ±- ANGLES ±2°		NAME M. WALMSLEY	RECEPTACLE ASSEMBLY, SIZE 1, 15 POSN, CLINCH NUTS, HDP-22, AMPLIMITE®	
MATERIAL MOLDED PARTS: 2 SHELLS & CLINCH NUTS: 2		PRODUCT SPEC 108-1268	SIZE A2	RESTRICTED TO
FINISH SHELLS: 2 CLINCH NUTS: 2		APPLICATION SPEC 114-10001	CAGE CODE 00779	DRAWING NO 1658690
		WEIGHT -	SCALE 3:1	SHEET 1 OF 1
		CUSTOMER DRAWING	REV 0	