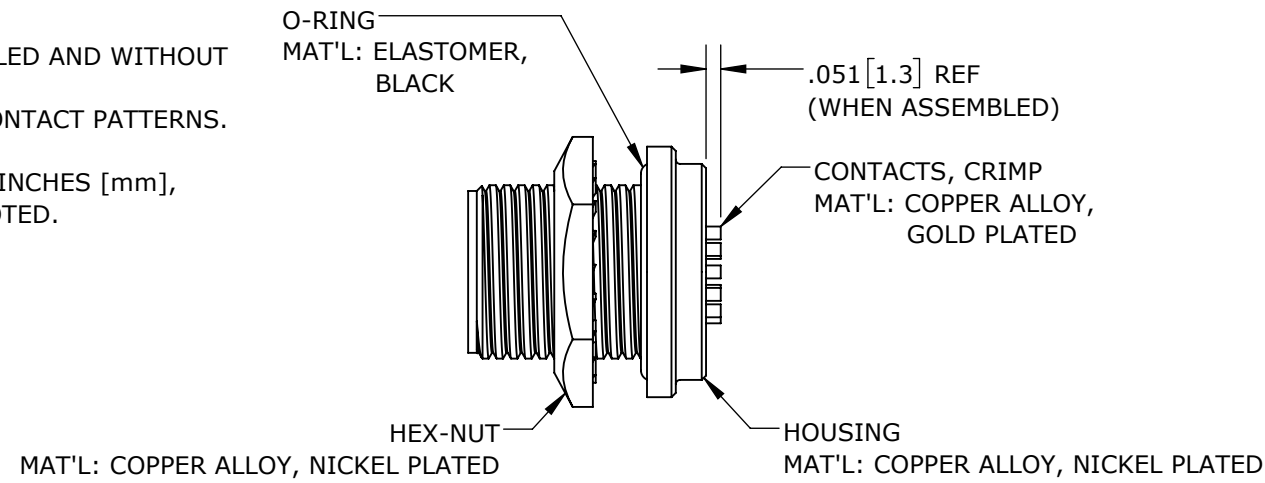


- NOTES:
1. CRIMP CONTACTS SUPPLIED UNASSEMBLED AND WITHOUT EPOXY BACKING.
 2. REFER TO DRAWING HPSFMSTD FOR CONTACT PATTERNS.
 3. HEX-NUT TORQUE: 10-12 IN-LB.
 4. DIMENSIONS ARE REFERENCE ONLY, IN INCHES [mm], WITHIN ±0.015 UNLESS OTHERWISE NOTED.

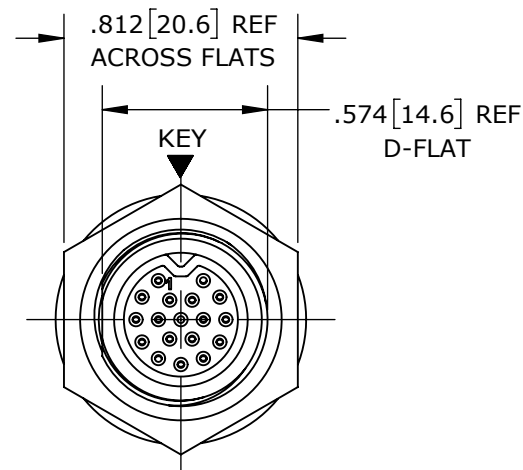


CRIMP CONTACTS
SF7980-18SG-300 SHOWN

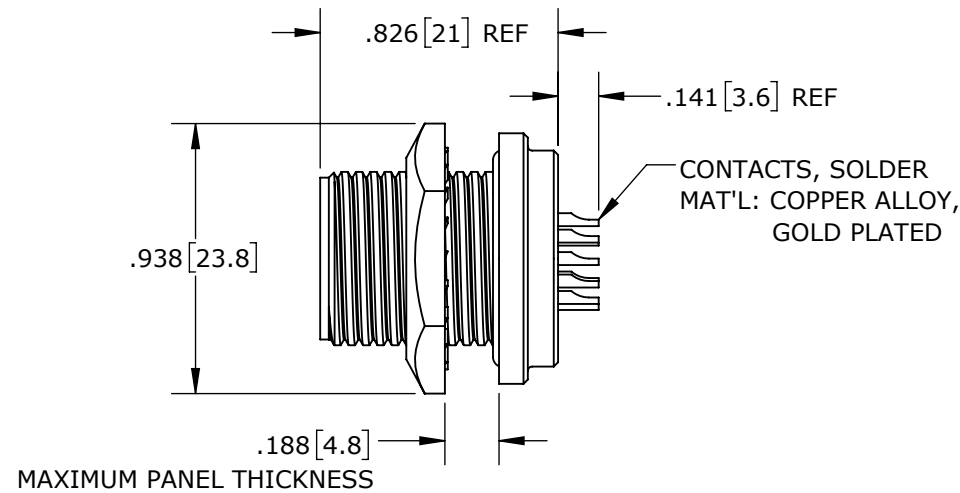
PANEL-MOUNT CONNECTOR PART NUMBERS:

S F 7 9 8 X - X S G - 3 X X

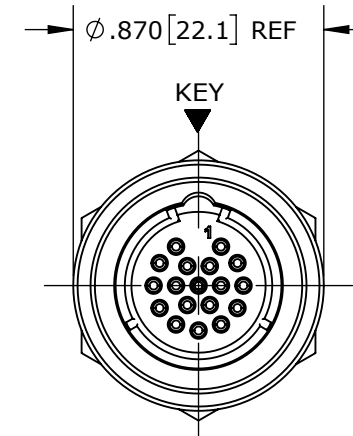
- EPOXY BACKING:
3ES = WITH EPOXY
300 = WITHOUT EPOXY
- # OF CONTACTS: 9 - 18
- CONTACTS STYLE:
0 = CRIMP
2 = SOLDER
4 = PC TAIL



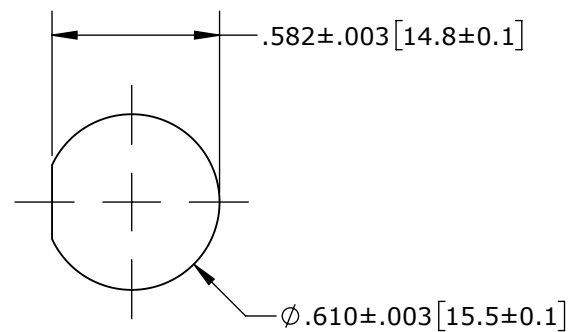
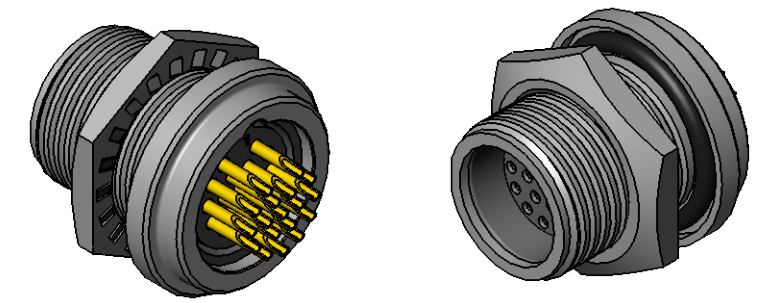
FACE VIEW
SF7982-18SG-300 SHOWN



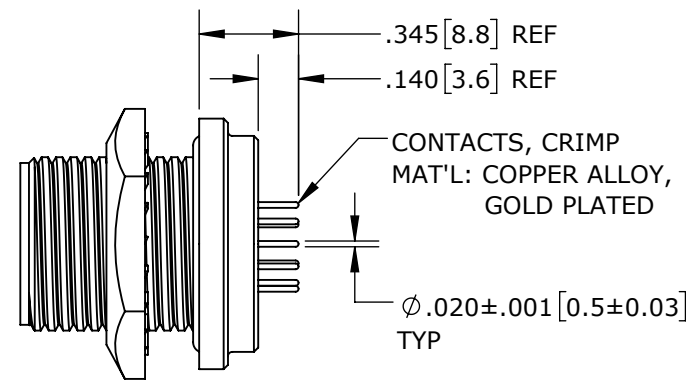
SOLDER CONTACTS
SF7982-18SG-300 SHOWN



WIRING END
SF7982-18SG-300 SHOWN



RECOMMENDED PANEL CUT-OUT



PC TAIL CONTACTS
SF7984-18SG-3ES SHOWN

CUSTOMER APPROVAL

THIS DOCUMENT CONTAINS CONFIDENTIAL INFORMATION PROPRIETARY TO CONXALL CORPORATION. ANY REPRODUCTION, DISCLOSURE, OR USE OF THIS DOCUMENT /INFORMATION IS EXPRESSLY PROHIBITED UNLESS AUTHORIZED IN WRITING BY CONXALL CORPORATION.

APPROVED BY: _____

DATE: _____

RoHS COMPLIANT

0A	PNK	1-30-18	DRAWING CREATED PER PDR17011	
REV.	INIT.	DATE	DESCRIPTION	
	PNK	1-30-18	ORIG. DRAWN BY: DATE: 1-30-18	
ALL INFORMATION ILLUSTRATED IS THE PROPERTY OF CONXALL CORPORATION. UNAUTHORIZED DUPLICATION OR DISTRIBUTION OF THIS DOCUMENT IS PROHIBITED.			CHECKED BY:	
ALL UNITS ARE IN FEET, INCHES, FRACTION OF INCHES AND DECIMALS. UNLESS OTHERWISE SPECIFIED TOLERANCES: 3 PLACE DECIMALS ±.005 ANGLES ±1° FRACTIONS ±1/16			APPROVED BY:	
SCALE	SIZE	SHEET	TITLE: PANEL-MOUNT CONNECTOR (9-18) #26 SOCKET CONTACTS SHIELDED MINI-CON-X STANDARD PRODUCT	
NTS	B	1 OF 1	CUSTOMER: STANDARD PRODUCT	
FILE: SF798X-XSG-3XX_CD	DIRECTORY: SLW	PART NUMBER: SF798X-XSG-3XX	REV 0A	



601 E. WILDWOOD VILLA PARK, IL 60181

Mouser Electronics

Authorized Distributor

Click to View Pricing, Inventory, Delivery & Lifecycle Information:

Switchcraft:

[SF7984-15SG-3ES](#) [SF7984-18SG-3ES](#) [SF7980-12SG-300](#) [SF7980-15SG-300](#) [SF7980-18SG-300](#) [SF7982-12SG-300](#) [SF7982-15SG-300](#) [SF7982-18SG-300](#) [SF7984-12SG-3ES](#)