

1

2

3

4

A

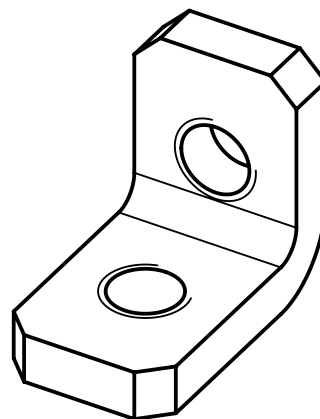
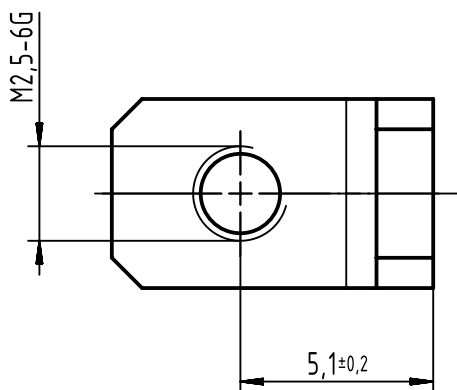
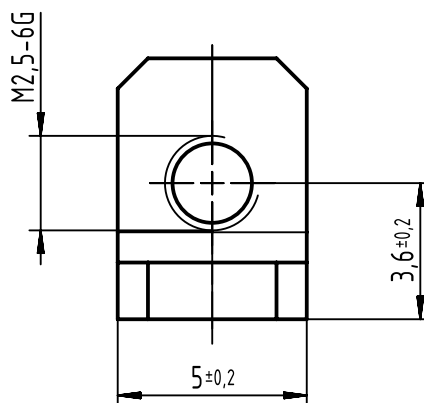
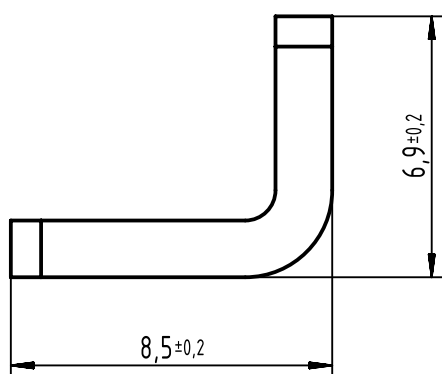
B

C

D

E

F



Tightening torque for fixing screws: 40Ncm



All Dimensions in mm  
Original Size DIN A4

Scale  
5:1

Free size tol.

Ref.

Sub.



All rights reserved

Department EC PD - DE

Created by  
TADJE

Inspected by  
ELLERMANN

Standardisation  
KOHLER

Date  
2017-08-14

State  
Final Release

Title  
fixing bracket for type F female

Doc-Key / ECM-Nr.  
100083726/UGD/002/B  
500000123812

HARTING Electronics GmbH  
D-32339 Espelkamp

Type  
TB

Number  
09060009912

Rev.  
B

Page  
1/1

# Mouser Electronics

Authorized Distributor

Click to View Pricing, Inventory, Delivery & Lifecycle Information:

[HARTING:](#)

[09060009912](#)