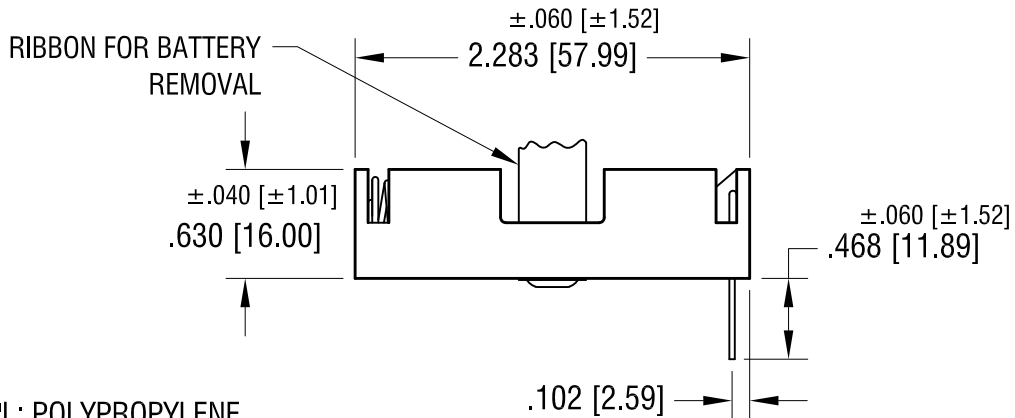
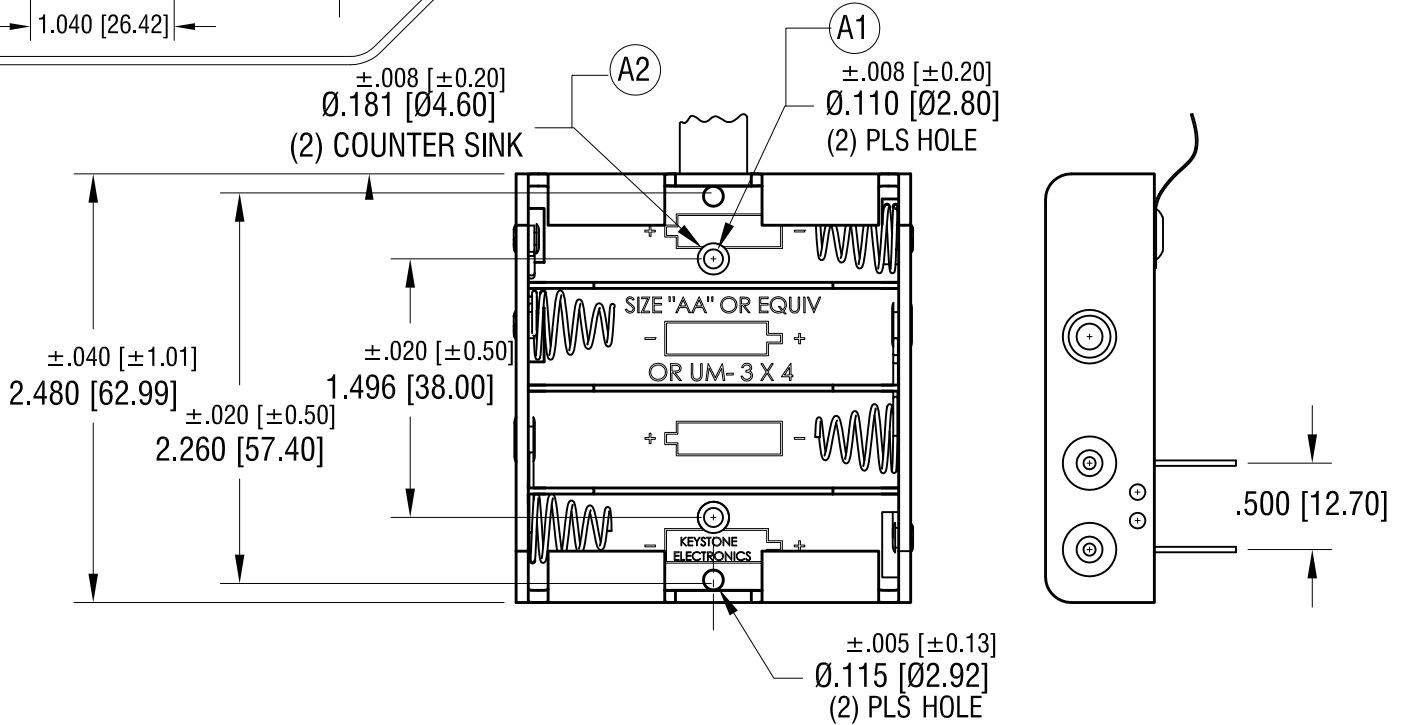
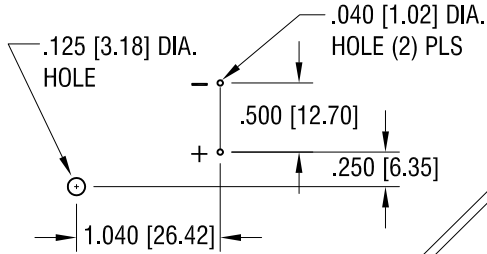


THIS DOCUMENT IS THE PROPERTY OF KEYSTONE ELECTRONICS CORP. AND SHALL NOT BE REPRODUCED, DISTRIBUTED OR USED AS A BASIS FOR MANUFACTURE WITHOUT PRIOR WRITTEN PERMISSION FROM KEYSTONE ELECTRONICS CORP.

**MOUNTING
DETAIL**



NOTE:

- 1. HOLDER: MAT'L: POLYPROPYLENE
- SPRING: MAT'L: MUSIC WIRE, .027 [0.70] DIA.
- PC TERMINALS: MAT'L: BRASS, .032 [0.81] DIA.
- RIBBON: MAT'L: NYLON, RED

ADD **A1** AND **A2**

3.26.19 CHANGE AS PER ECN 19-041

A

DATE DESCRIPTION

REV.

KEYSTONE ELECTRONICS CORP.

www.keyelco.com • NEW HYDE PARK, NY 11040 • Tel (516) 328-7500

PART NAME

PC BATTERY HOLDER (4) 'AA' W/ RIBBON

MATERIAL

AS NOTED

FINISH

NICKEL PLATE

DRN BY

BOONE

DATE

12.1.03

APP'D

LN

SCALE

.9X

TOLERANCES

INCH [MM]

DECIMAL ±.015 [±0.38]

CODE

C

DWG NO.

2477RB

UNLESS OTHERWISE SPECIFIED

Mouser Electronics

Authorized Distributor

Click to View Pricing, Inventory, Delivery & Lifecycle Information:

[Keystone Electronics:](#)

[2477RB](#)