

CUSTOMER PRINT

PART NUMBER: W3282-1XPG-5XX(W)

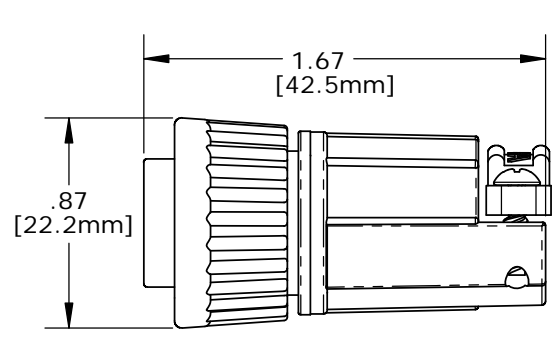
- NOTES:**  
 1. PARTS TO BE BULK PACKED.  
 2. SOLDER CONTACTS ARE PRESSED INTO CONNECTOR.  
 ALL SOLDER CUPS ARE TO BE FACING TOP KEY.  
 3. ALL DIMENSIONS ARE REFERENCE ONLY.  
 DIMENSIONS IN BRACKET [ ] ARE METRIC.

KIT PART NO.	GROMMET SIZE TO FIT CABLE O.D.	DIA. "D"	KIT P/N	NO. OF CONTACTS
W3282-1XPG-518(W)	0.18 - 0.20 [4.6-5.1mm]	Ø0.77 [19.6mm]	W3282-10PG-5XX	(10) - #20
W3282-1XPG-521(W)	0.21 - 0.23 [5.3-5.8mm]	Ø0.77 [19.6mm]	W3282-11PG-5XX	(11) - #20
W3282-1XPG-524(W)	0.24 - 0.27 [6.1-6.8mm]	Ø0.77 [19.6mm]	W3282-12PG-5XX	(12) - #20
W3282-1XPG-528(W)	0.28 - 0.29 [7.1-7.4mm]	Ø0.77 [19.6mm]	W3282-10PG-5XXW	(10) - #20
W3282-1XPG-530(W)	0.30 - 0.32 [7.6-8.1mm]	Ø0.77 [19.6mm]	W3282-11PG-5XXW	(11) - #20
W3282-1XPG-535(W)	0.35 - 0.40 [8.9-10.2mm]	Ø0.83 [21.1mm]	W3282-12PG-5XXW	(12) - #20

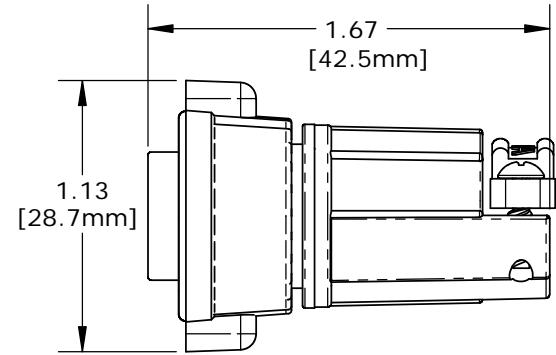
(WING COUPLING RING OPTION)  
 NO. OF CONTACTS

ADD W SUFFIX FOR WINGED COUPLING RING OPTION  
 W3282-1XPG-5XX(W)

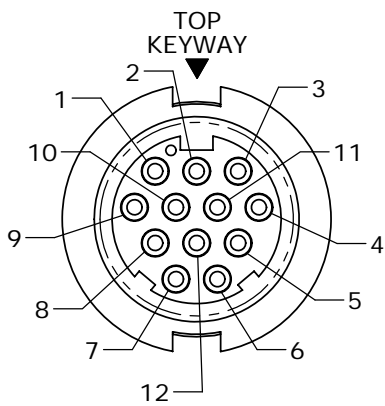
GROMMET SIZE SEE P/N LIST  
 NO. OF CONTACTS



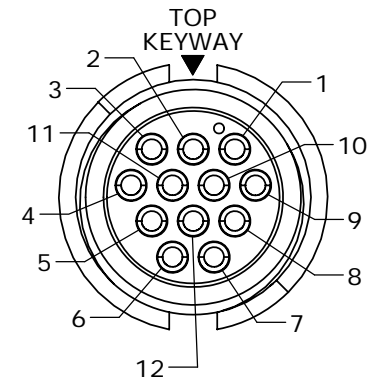
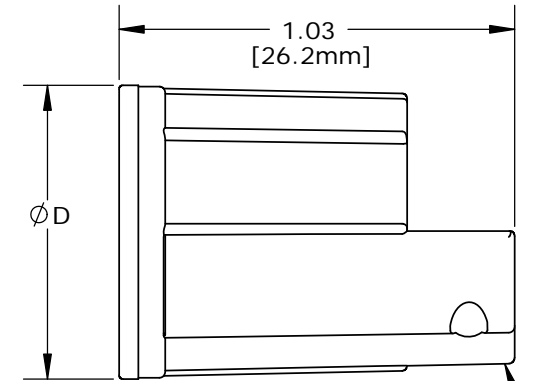
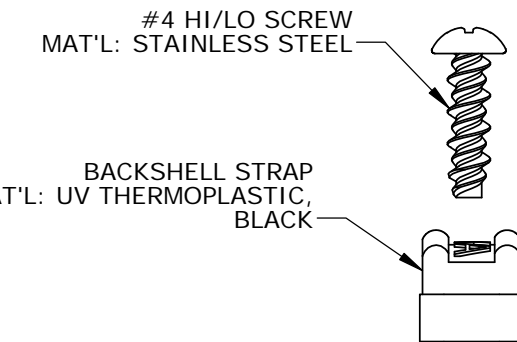
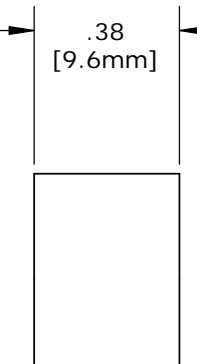
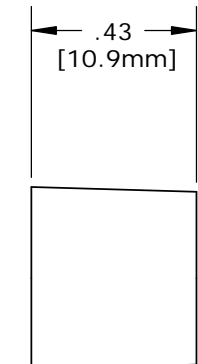
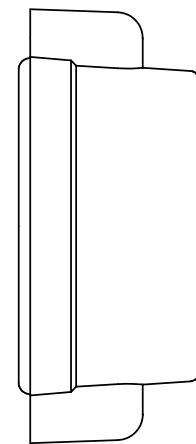
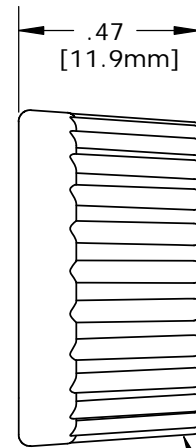
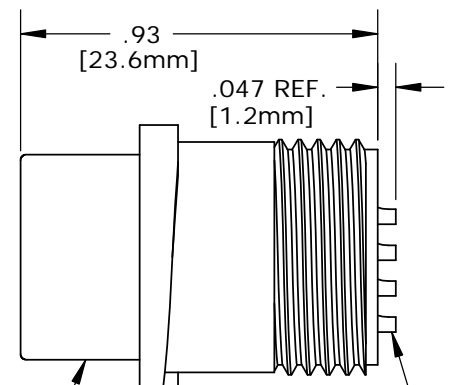
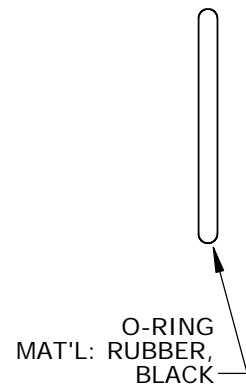
ASSEMBLED VIEW SHOWN WITH STANDARD COUPLING RING



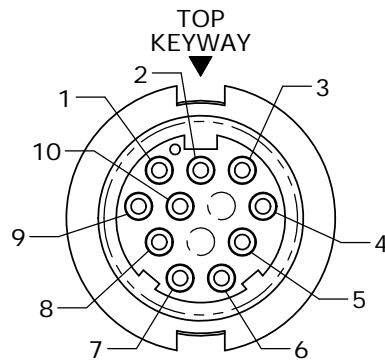
ASSEMBLED VIEW SHOWN WITH WING COUPLING RING



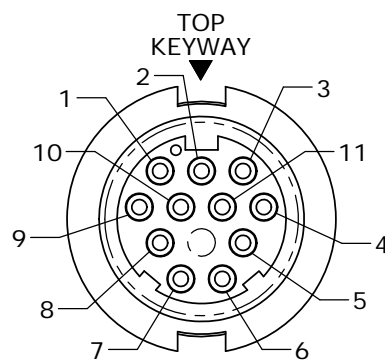
FACE VIEW  
W3282-12PG-5XX(W)



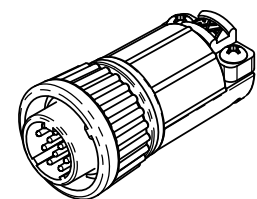
WIRE VIEW



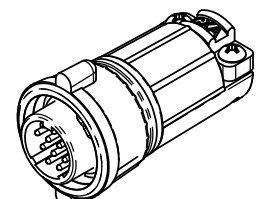
FACE VIEW  
W3282-10PG-5XX(W)



FACE VIEW  
W3282-11PG-5XX(W)



ASSEMBLED VIEW SHOWN WITH STANDARD COUPLING RING



ASSEMBLED VIEW SHOWN WITH WING COUPLING RING

#20 PIN CONTACTS SOLDER CUP, GOLD PLATED SEE NOTE 2

**CUSTOMER APPROVAL**

THIS DOCUMENT CONTAINS CONFIDENTIAL INFORMATION PROPRIETARY TO CONXALL CORPORATION. ANY REPRODUCTION, DISCLOSURE, OR USE OF THIS DOCUMENT /INFORMATION IS EXPRESSLY PROHIBITED UNLESS AUTHORIZED IN WRITING BY CONXALL CORPORATION.

APPROVED BY: \_\_\_\_\_  
 DATE: \_\_\_\_\_

A	PAK	08/15/19	DRAWING CREATED & RELEASED PER DOR 10-2523JS-1	
REV.	INIT.	DATE	DESCRIPTION	
	PAK	10/01/14	ORIG. DRAWN BY: DATE: 10/01/14	
ALL INFORMATION ILLUSTRATED IS THE PROPERTY OF "CONXALL CORPORATION". UNAUTHORIZED DUPLICATION OR DISTRIBUTION OF THIS DOCUMENT IS PROHIBITED.			CHECKED BY:	
ALL UNITS ARE IN FEET, INCHES, FRACTION OF INCHES AND DECIMALS.			APPROVED BY:	
UNLESS OTHERWISE SPECIFIED TOLERANCES: 3 PLACE DECIMALS ± .005 ANGLES ± 1° FRACTIONS ± 1/16			SCALE	SIZE
▽ - CRITICAL CHARACTERISTIC FLAG PER SPEC. XXXX			NTS	B
FILE:	DIRECTORY:	PART NUMBER:	SHEET	REV
W3282-1XPG-5XX	SLW	W3282-1XPG-5XX(W)	1 OF 1	A

601 E. WILDWOOD VILLA PARK, IL 60181

TITLE: CABLE CONNECTOR KIT  
 #20 PIN CONTACTS (SOLDER), BACKSHELL CLAMP MULTI-CON-X, E-KEY, WEATHER RESISTANT STANDARD PRODUCT

# Mouser Electronics

Authorized Distributor

Click to View Pricing, Inventory, Delivery & Lifecycle Information:

## Switchcraft:

[W3282-11PG-518](#) [W3282-10PG-530](#) [W3282-11PG-530](#) [W3282-12PG-524](#) [W3282-10PG-521](#) [W3282-10PG-524](#)  
[W3282-11PG-535](#) [W3282-10PG-535](#) [W3282-11PG-524](#) [W3282-12PG-521](#) [W3282-12PG-518](#) [W3282-11PG-528](#)  
[W3282-11PG-521](#) [W3282-12PG-530](#) [W3282-10PG-518](#) [W3282-12PG-528](#) [W3282-10PG-528](#)