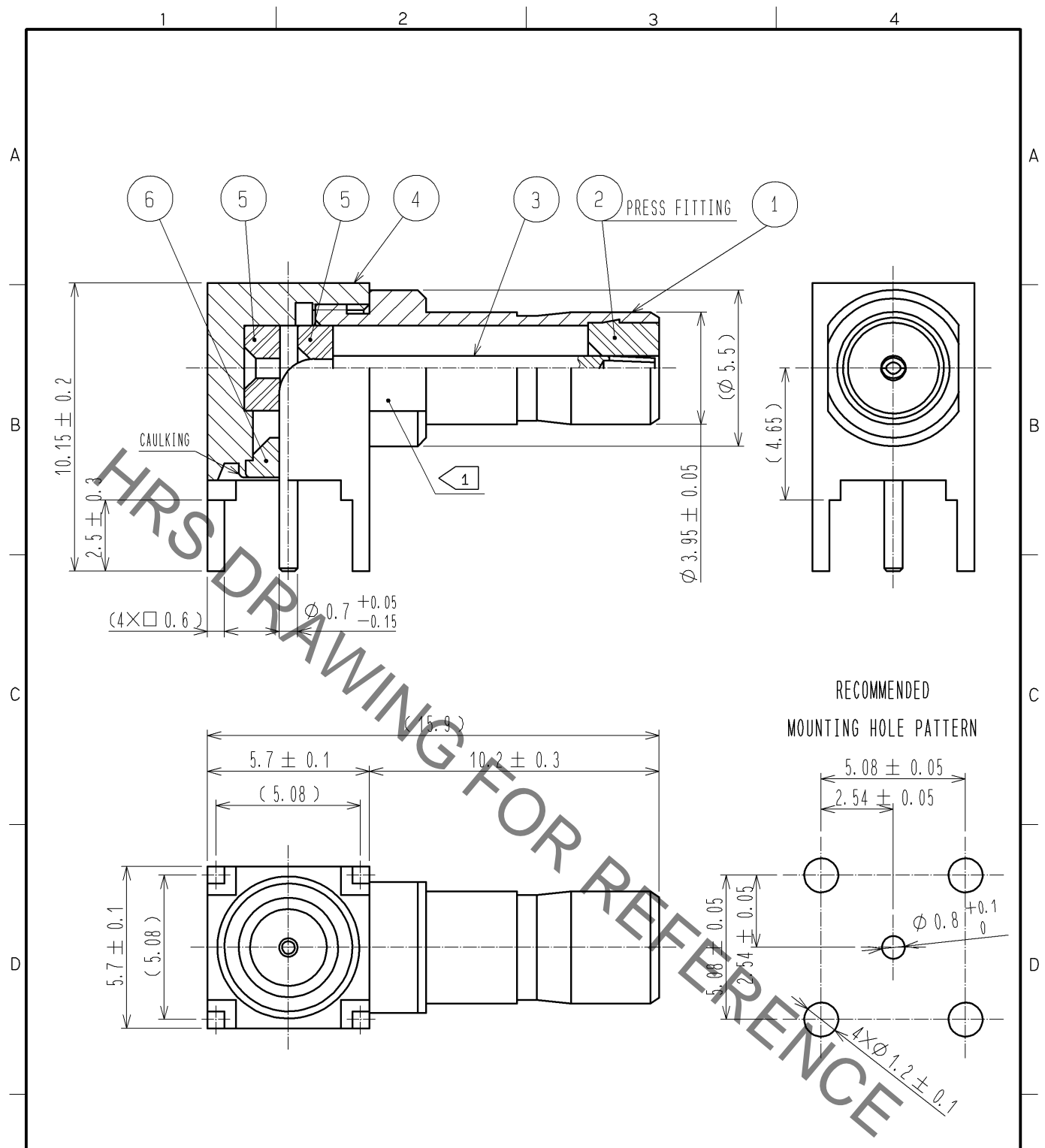


Aug.1.2020 Copyright 2020 HIROSE ELECTRIC CO., LTD. All Rights Reserved.
 In case of consideration for using Automotive equipment / device which demand high reliability, kindly contact our sales window correspondents.



1 Milling position in a radial direction is optional.

RoHS COMPLIANT

3	BERYLLIUM COPPER	GOLD PLATED	6	PTFE	
2	PTFE		5	PTFE	
1	BRASS	NICKEL PLATED	4	BRASS	NICKEL PLATED
NO.	MATERIAL	FINISH . REMARKS	NO.	MATERIAL	FINISH . REMARKS

UNITS mm		SCALE 5 : 1	COUNT 	DESCRIPTION OF REVISIONS	DESIGNED	CHECKED	DATE
-------------	--	----------------	-----------	--------------------------	----------	---------	------

HRS HIROSE ELECTRIC CO., LTD.	APPROVED : TS. NOBE	13. 08. 23	DRAWING NO.	EDC4-028041-40
	CHECKED : NK. NINOMIYA	13. 08. 22	PART NO.	PL71-LR-PC(40)
	DESIGNED : MS. MATSUMOTO	13. 08. 21	CODE NO.	CL334-0016-2-40
	DRAWN : KH. HIKITA	11. 03. 26		1/1

Mouser Electronics

Authorized Distributor

Click to View Pricing, Inventory, Delivery & Lifecycle Information:

[Hirose Electric:](#)

[PL71-LR-PC\(40\)](#)