

Permanent magnet stepper motor

M82201 series

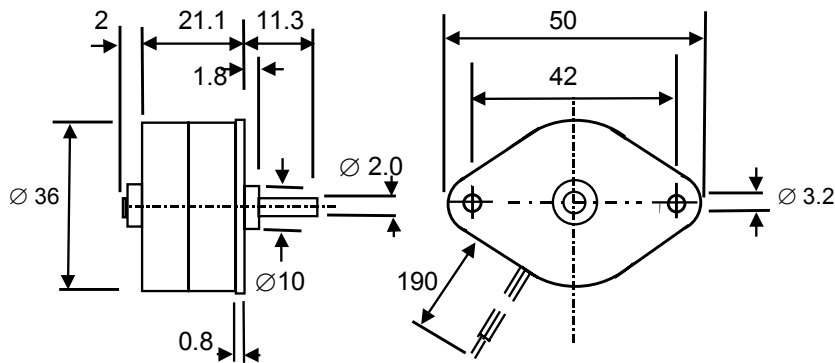
The M82201 series instrument stepper motor is a high quality permanent magnet type providing a step angle of 7.5 degrees.

For increased torque and resolution the motor may be readily fitted to the McLennan precision P5 series Ovoid gearhead.

The M82201 series offer excellent performance combined with low pricing and are ideally suited to instrumentation applications.



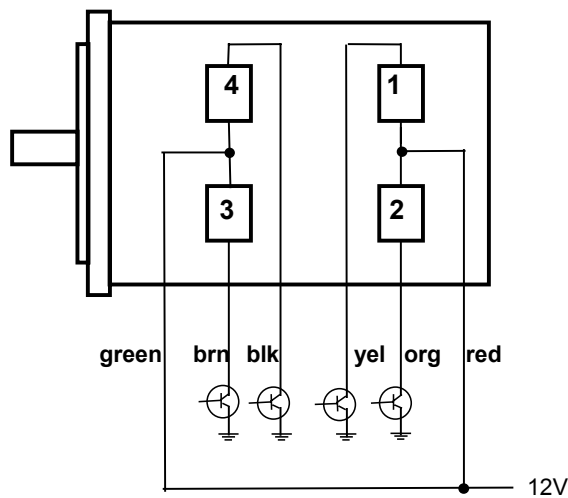
Dimensions: mm



Specification

motor type	step angle	holding torque	rotor inertia	resistance per phase	current per phase	inductance per phase	number of leads	Mass
	degrees	Ncm	Kgcm ²	ohms	amps	mH		gms
M82201-P2SB	7.5	2.75	0.004	64	0.18	38	6	88

Connections



Switching Sequence

Phase	1	2	3	4
Step 1	+		+	
Step 2		+	+	
Step 3		+		+
Step 4	+			+
Step 1	+		+	

↓
ccw rotation