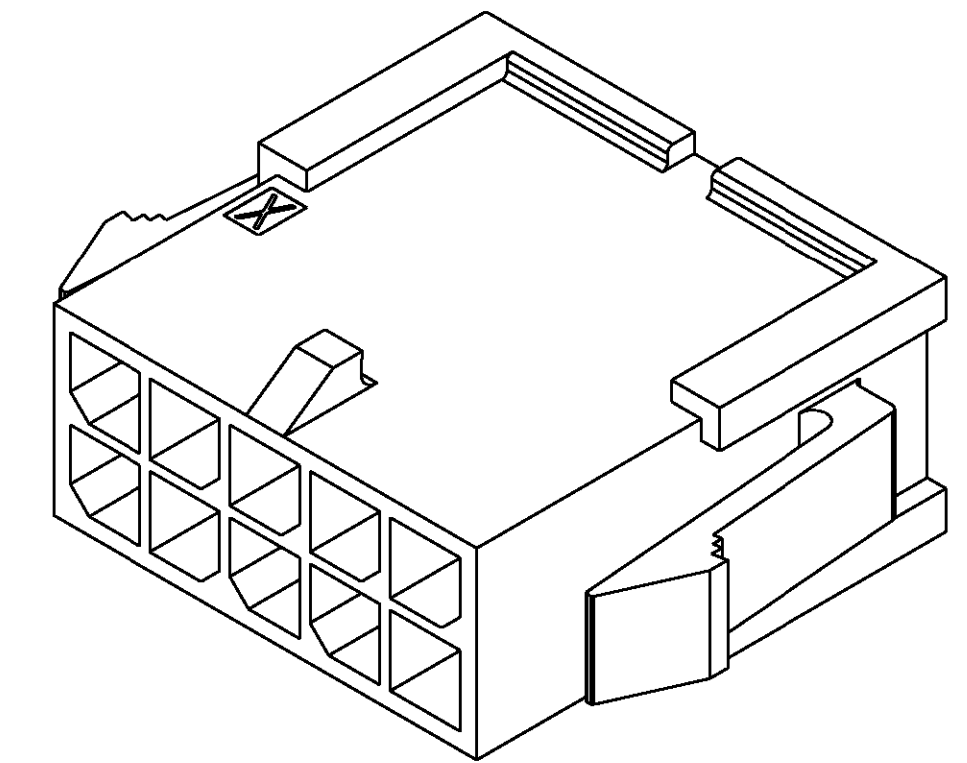
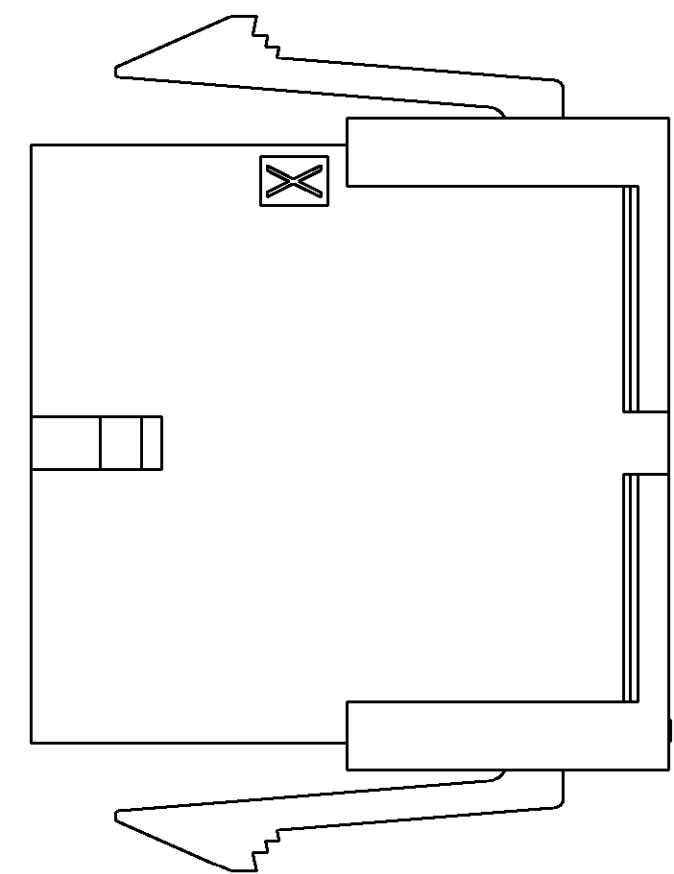
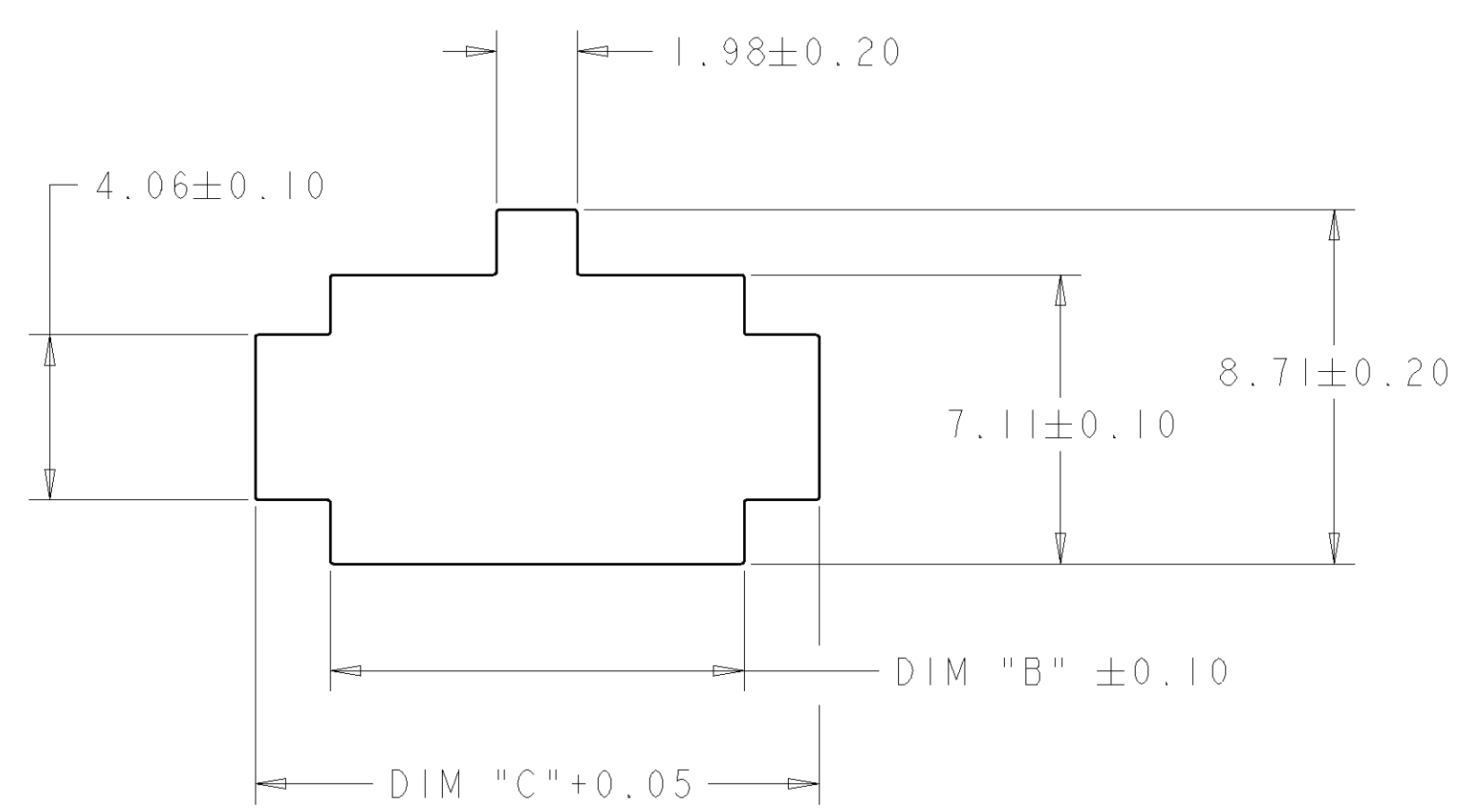


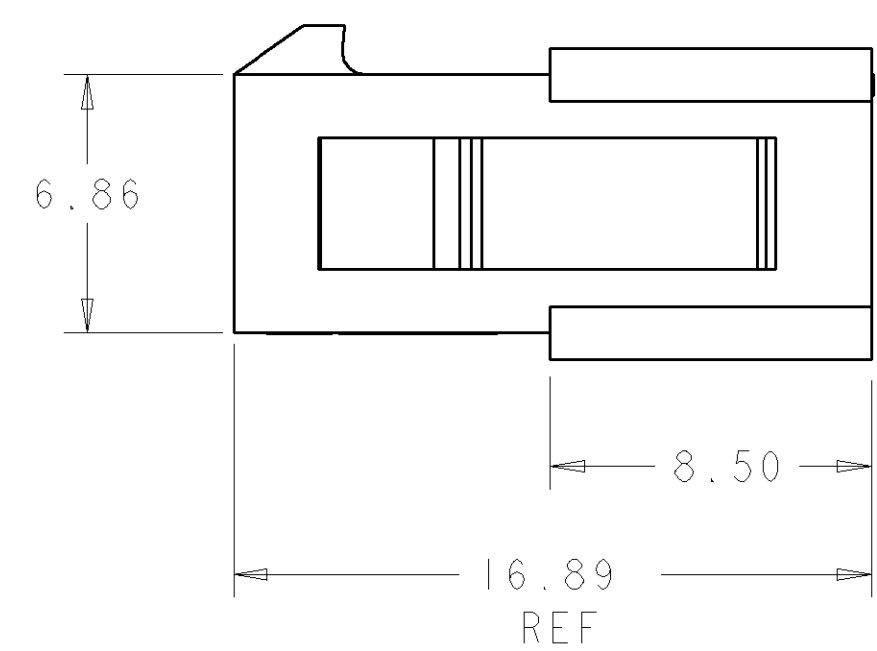
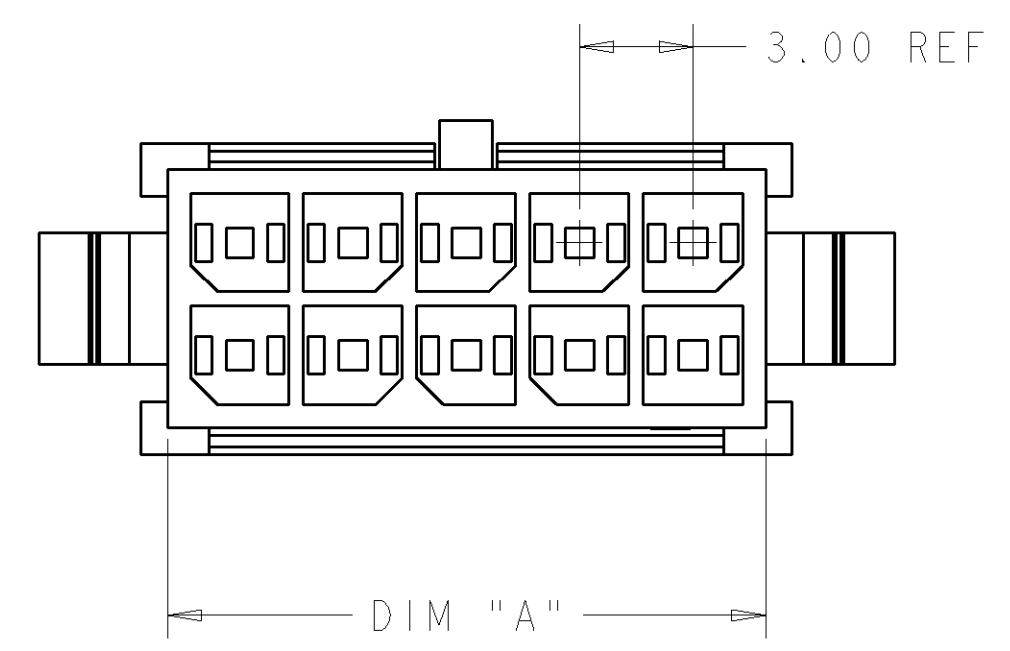
THIS DRAWING IS UNPUBLISHED. RELEASED FOR PUBLICATION 20
 © COPYRIGHT 20 BY TYCO ELECTRONICS CORPORATION. ALL RIGHTS RESERVED.

LOC	DIST	REVISIONS					
CM	00	P	LTR	DESCRIPTION	DATE	DWN	APVD
		0		RELEASED PER 063B-0331-01	14-DEC-01	KW	CJ



SCALE 5:1

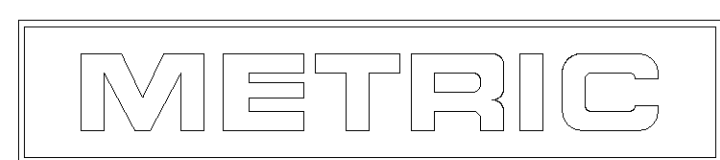
PANEL CUT-OUT \triangle



40.88	37.20	36.85	24	2-794615-4
37.88	34.20	33.85	22	2-794615-2
34.88	31.20	30.85	20	2-794615-0
31.88	28.20	27.85	18	1-794615-8
28.88	25.20	24.85	16	1-794615-6
25.88	22.20	21.85	14	1-794615-4
22.88	19.20	18.85	12	1-794615-2
19.88	16.20	15.85	10	1-794615-0
16.88	13.20	12.85	8	794615-8
13.88	10.20	9.85	6	794615-6
10.88	7.20	6.85	4	794615-4
7.88	4.20	3.85	2	794615-2
DIM C	DIM B	DIM A	NO. OF POS.	PART NUMBER

\triangle RECOMMENDED PANEL THICKNESS 1.57-2.3.

2. PANEL MUST BE PUNCHED SO THAT HOUSING ENTERS THE PANEL IN THE SAME DIRECTION AS THE PUNCH.



<small>THIS DRAWING IS A CONTROLLED DOCUMENT FOR TYCO ELECTRONICS CORPORATION. IT IS SUBJECT TO CHANGE AND THE CONTROLLING ENGINEERING ORGANIZATION SHOULD BE CONTACTED FOR THE LATEST REVISION.</small>		DWN W J RUDY 29AUG2000 CHK W DAVIS 29AUG2000 APVD W DAVIS 29AUG2000	AMP Tyco Electronics Harrisburg, PA 17105-3608
DIMENSIONS: mm 	TOLERANCES UNLESS OTHERWISE SPECIFIED: 0 PLC ± 1 PLC ± 2 PLC ±0.13 3 PLC ± 4 PLC ± ANGLES ± FINISH -	PRODUCT SPEC - APPLICATION SPEC - WEIGHT -	NAME PLUG HOUSING, 2 to 24 POSITION DUAL ROW, PANEL MOUNT MICRO MATE-N-LOK™ SIZE A2 CAGE CODE 00779 C=794615 DRAWING NO. 794615-4 RESTRICTED TO -
MATERIAL NYLON, UL94V-0 BLACK		CUSTOMER DRAWING	SCALE 6:1 SHEET 1 OF 1 REV 0