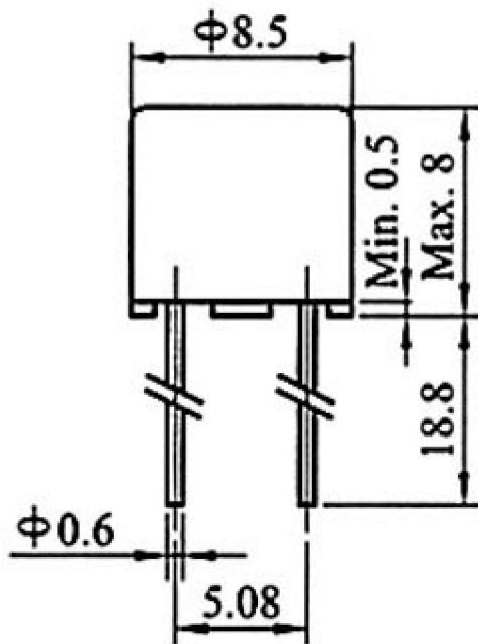
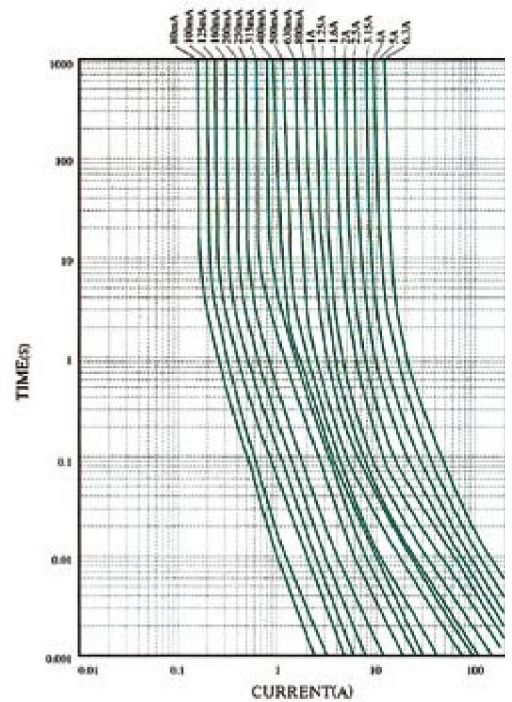




МИКРОПРЕДОХРАНИТЕЛИ ФИРМЫ **FBELE**



I-T CHARACTERISTICS CURVE



ELECTRICAL CHARACTERISTICS:

RATING		BLOWING TIME
2.1In	Max	2min
2.75In	Min	400ms
	Max	10sec
4In	Min	150ms
	Max	3sec
10In	Min	20ms
	Max	150ms

Appliance Lamp Holder	FBMF01-0100	FBMF01-0125	FBMF01-0160	FBMF01-0200	FBMF01-0250	FBMF01-0315	FBMF01-0400	FBMF01-0500	FBMF01-0630	FBMF01-0800
Rated Current	100mA	125mA	160mA	200mA	250mA	315mA	400mA	500mA	630mA	800mA
Appliance Lamp Holder	FBMF01-1000	FBMF01-1250	FBMF01-1600	FBMF01-2000	FBMF01-2500	FBMF01-3000	FBMF01-3150	FBMF01-4000	FBMF01-5000	FBMF01-6300
Rated Current	1A	1.25A	1.6A	2.0A	2.5A	3A	3.15A	4A	5A	6.3A