

4

3

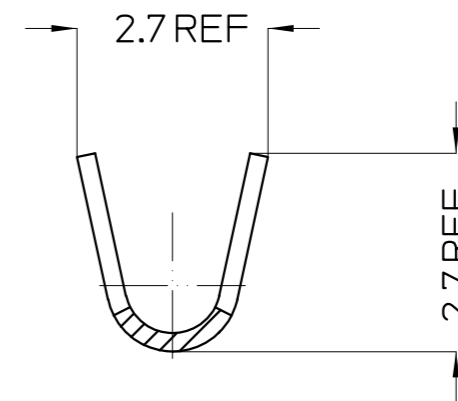
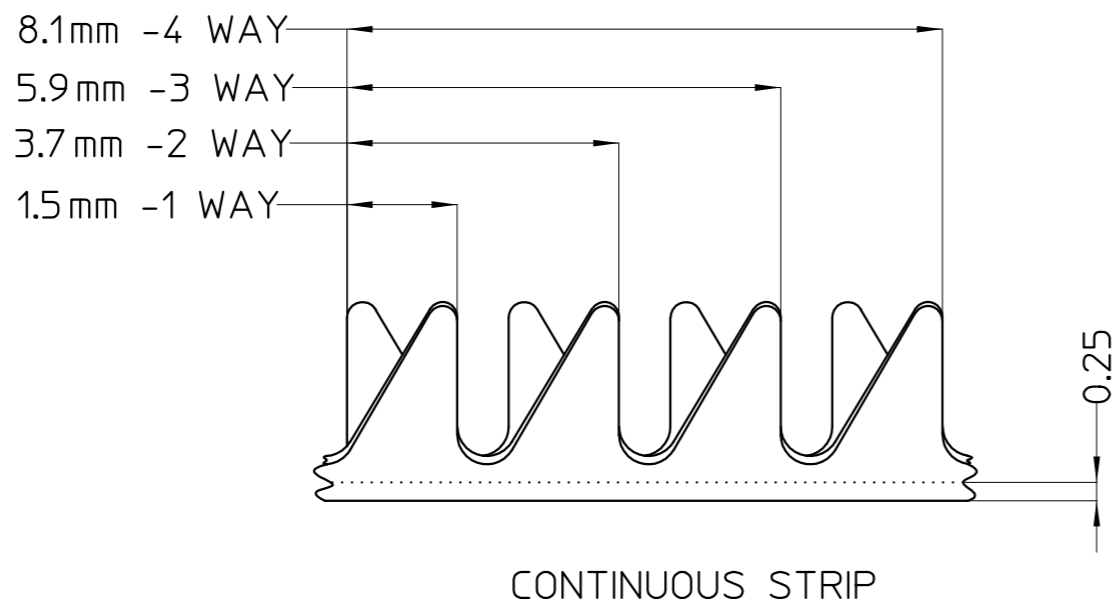
2

1

THIS DRAWING IS UNPUBLISHED. RELEASED FOR PUBLICATION  
 © COPYRIGHT - BY TYCO ELECTRONICS CORPORATION. ALL RIGHTS RESERVED.

LOC	DIST	REVISIONS					
		P	LTR	DESCRIPTION	DATE	DWN	APVD
U	-	-	-				

CUT TO LENGTH AS REQUIRED

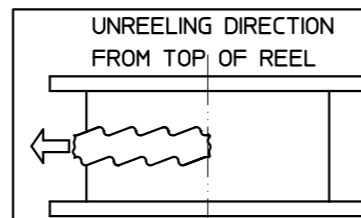


NOTES

1. WIRE RANGE

CONDUCTOR: 0.5mm<sup>2</sup> - 1.0mm<sup>2</sup>

THIS INFORMATION IS CONFIDENTIAL AND PROPRIETARY TO TYCO ELECTRONICS CORPORATION AND ITS WORLDWIDE SUBSIDIARIES AND AFFILIATES. IT MAY NOT BE DISCLOSED TO ANYONE OTHER THAN TYCO ELECTRONICS PERSONNEL WITHOUT WRITTEN AUTHORIZATION FROM TYCO ELECTRONICS CORPORATION, HARRISBURG, PENNSYLVANIA, USA.



THIS DRAWING IS A CONTROLLED DOCUMENT.

ALL DIMENSIONS IN mm:	TOLERANCES UNLESS OTHERWISE SPECIFIED:
	DIMENSION (mm) TOLERANCE(+/-mm)
	LESS THAN 10 0.4
	OVER 10 TO 30 0.5
	OVER 30 TO 80 0.7
	OVER 80 TO 250 1.0
	ANGLES ±2°

MATERIAL	FINISH
-	-

DWN: W.RIEDE 28.4.05
CHK: H.THAI 28.4.05
APVD: W.RIEDE 28.4.05
PRODUCT SPEC: -
APPLICATION SPEC: -
WEIGHT: -

BRASS 70/30		TERMINAL, SHOE LACE H29100	1-1627139-0
MATERIAL DESC.		DESCRIPTION	PART No.
Tyco Electronics Corporation AUSTRALIA			
NAME: TERMINAL, SHOE LACE			
SIZE: A3	CAGE CODE	DRAWING NO: 1627139	RESTRICTED TO: -
CUSTOMER DRAWING			SCALE: 10:1 SHEET: 1 OF 1 REV: 0