

THIS DRAWING IS UNPUBLISHED.

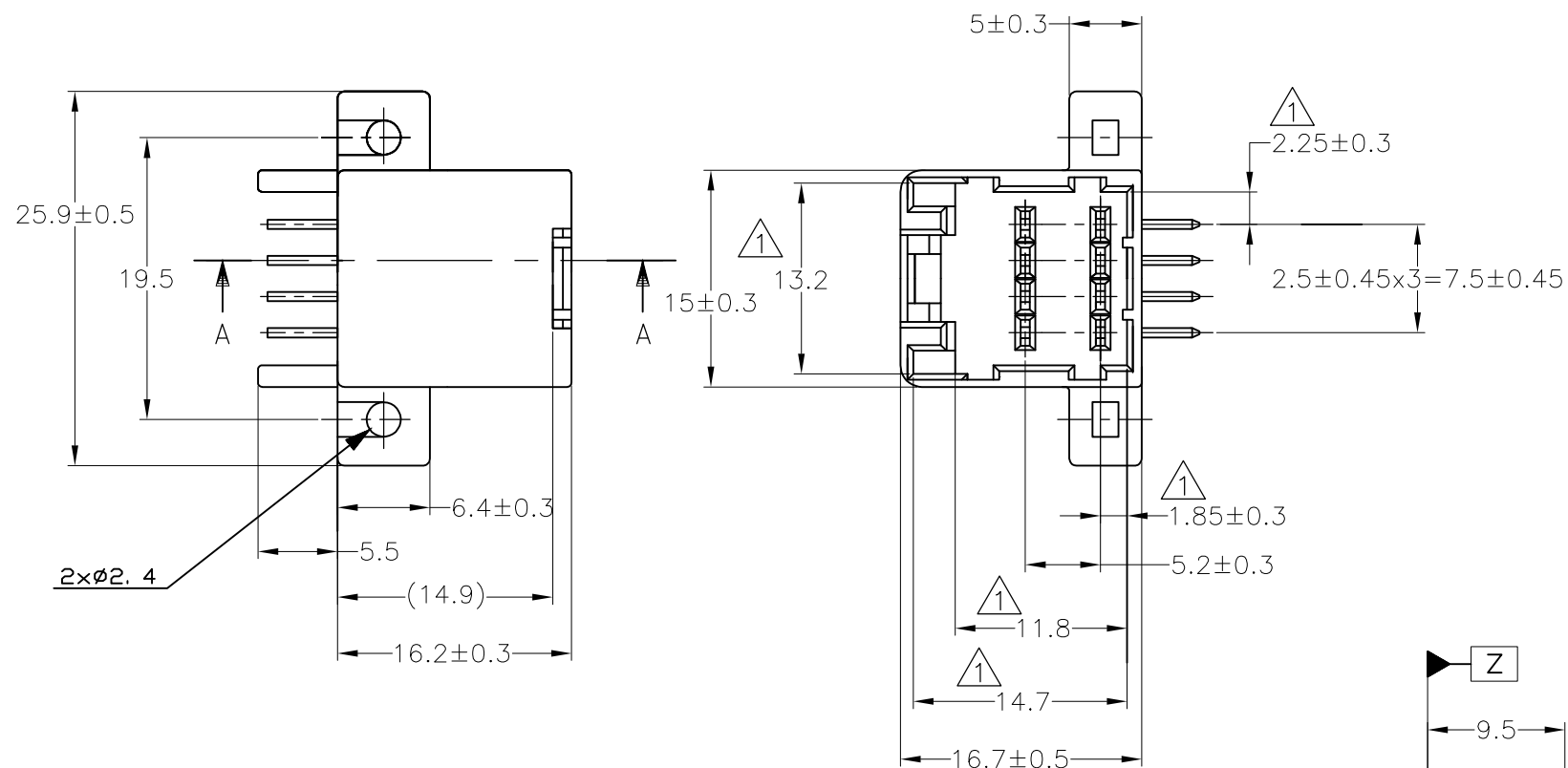
RELEASED FOR PUBLICATION APR, 13

REVISIONS

© COPYRIGHT 2015 Tyco Electronics Japan G.K.

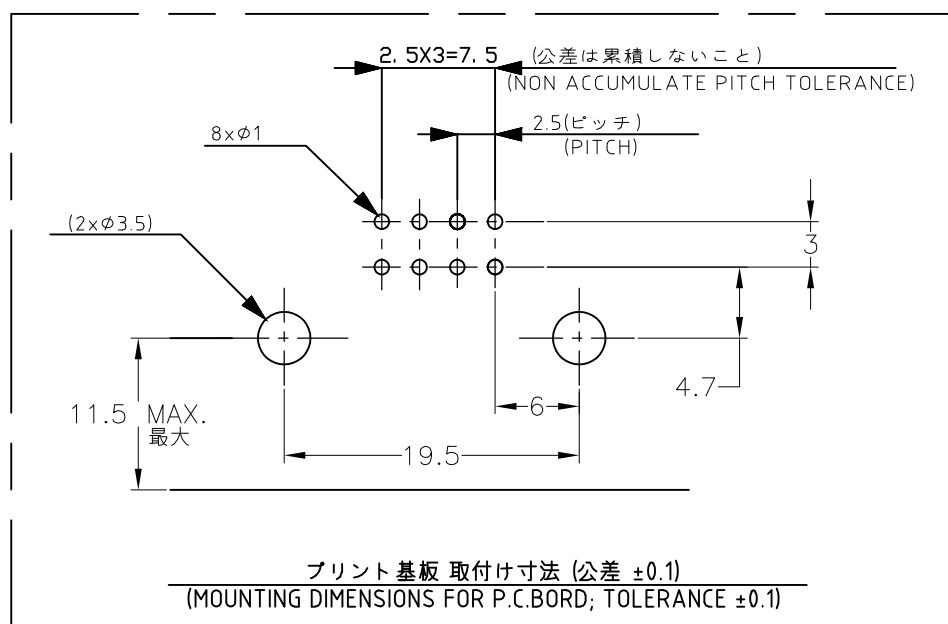
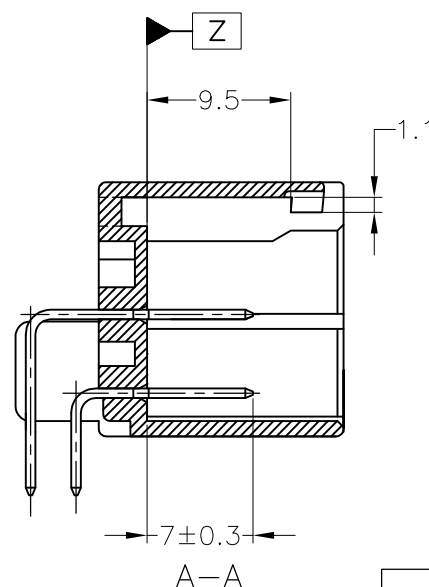
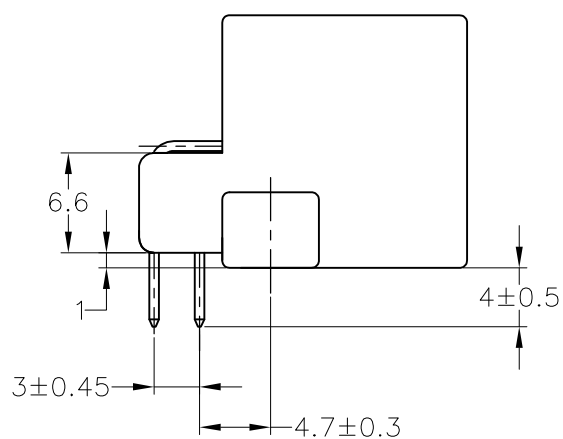
ALL RIGHTS RESERVED.

P	LTR	DESCRIPTION	DATE	DWN	APVD
E3	OBSOLETE 1--2	ECR-16-003093	17AUG16	KF	HY



- ① Z 面より 2mm の範囲で測定。
- 2. 適用プリント基板厚: 1.6mm
- 3. 嵌合相手ハウジング型番: 174044
- 4. 推奨取付けねじ: JIS B1115, B1122 タッピングねじ、なべ 2種 呼び径 3、長さ 7mm 以上 (締付けトルク: 39.2N-cm 以下)

- ① TO BE MEASURED WITHIN 2mm FROM Z
- 2. APPLICABLE P.C. BOARD THICKNESS: 1.6mm
- 3. THE MATING PLUG HOUSING PART NUMBER: 174044
- 4. RECOMMENDED MOUNTING SCREW: 3mm DIA, 7mm LENGTH (MIN.) PAN HEAD, CLASS 2 TAPPING SCREW SPECIFIED IN JIS B1115, B1122 (TIGHTENING TORQUE: 39.2N-cm MAX.)



TOLERANCES UNLESS OTHERWISE SPECIFIED:

一般公差	
0 < x < 10:	±0.2
10 < x < 30:	±0.25
30 < x < 100:	±0.3
ANGLE:	±3°

SELECTIVE TIN (MATTE)	SELECTIVE GOLD x 8		COLOR	PART NUMBER
OBSOLETE	TIN-LEAD	TIN-LEAD x 8	BLACK 黒色	1-174049-2
OBSOLETE	TIN-LEAD	SELECTIVE GOLD x 8	BLACK 黒色	1-174049-2
	PRE-TIN x 8		BLUE 青色	174049-5
	PRE-TIN x 8		BLACK 黒色	174049-2
SOLDERING SIDE 半田付け部	CONTACT SIDE 接触部側		GOLD PLATED CIRCUIT NO. 金めっき回路番号	
CONTACT FINISH 接触部仕上			COLOR 色	PART NUMBER 製品型番

THIS DRAWING IS A CONTROLLED DOCUMENT.

DIMENSIONS: mm	TOLERANCES UNLESS OTHERWISE SPECIFIED:
0 PLC ±-	1 PLC ±-
2 PLC ±-	3 PLC ±-
4 PLC ±-	ANGLES ±-
MATERIAL ハウジング: PBT	FINISH SEE TABLE
HOUSING	
CONTACT: BRASS	
CONTACT 黄銅	

DWN K.FURUYAMA 13APR2015	 TE Connectivity	8 POSITION CAP HOUSING ASSMBLY				
CHK Y.MITO 13APR2015		.040 SERIES MULTI-LOCK I/O CONNECTOR (H-TYPE)				
APVD R.KOMIYAMA 13APR2015		NAME	SIZE	CAGE CODE	DRAWING NO	RESTRICTED TO
PRODUCT SPEC			A3	00779	C-174049	
APPLICATION SPEC		WEIGHT	3.4 g		CUSTOMER DRAWING	
		SCALE	2:1	SHEET	1 OF 1	
		REV	E3			

# Mouser Electronics

Authorized Distributor

Click to View Pricing, Inventory, Delivery & Lifecycle Information:

[TE Connectivity:](#)

[174049-2](#)