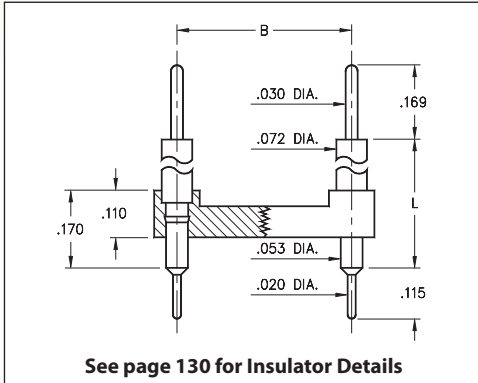
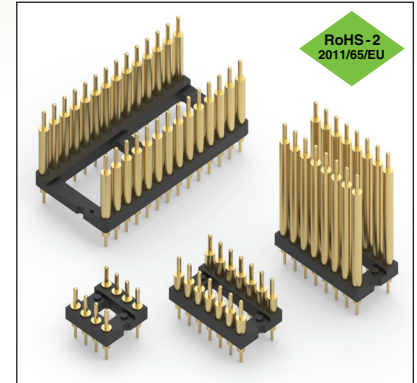


# DUAL-IN-LINE HEADERS

## SERIES 134 • INTERCONNECT • OPEN FRAME



- Series 134 DIL Headers combine .030" diameter pins with pluggable .020" diameter solder tails
- Series:
  - 134...020 uses MM #3402 pins
  - 134...010 uses MM #3401 pins
  - 134...050 uses MM #3405 pins
  - 134...000 uses MM #3400 pins
  - 134...100 uses MM #3410 pins
 See page 215 for details
- Insulators are high temperature thermoplastic, suitable for all soldering operations
- For Electrical, Mechanical and Environmental Data, see page 264 for details



Total number of pins	Pin Spacing			Quantity per tube	ORDERING INFORMATION					
	A	B	C		L = .190	L = .236	L = .315	L = .605	L = 1.070	
10	0.5	0.2	0.3	41	134-10-210-00-020000	134-10-210-00-010000	134-10-210-00-050000	134-10-210-00-000000	134-10-210-00-100000	
4	0.2	0.3	0.4	102	134-10-304-00-020000	134-10-304-00-010000	134-10-304-00-050000	134-10-304-00-000000	134-10-304-00-100000	
6	0.3	0.3	0.4	67	134-10-306-00-020000	134-10-306-00-010000	134-10-306-00-050000	134-10-306-00-000000	134-10-306-00-100000	
8	0.4	0.3	0.4	50	134-10-308-00-020000	134-10-308-00-010000	134-10-308-00-050000	134-10-308-00-000000	134-10-308-00-100000	
10	0.5	0.3	0.4	40	134-10-310-00-020000	134-10-310-00-010000	134-10-310-00-050000	134-10-310-00-000000	134-10-310-00-100000	
14	0.7	0.3	0.4	28	134-10-314-00-020000	134-10-314-00-010000	134-10-314-00-050000	134-10-314-00-000000	134-10-314-00-100000	
16	0.8	0.3	0.4	25	134-10-316-00-020000	134-10-316-00-010000	134-10-316-00-050000	134-10-316-00-000000	134-10-316-00-100000	
18	0.9	0.3	0.4	22	134-10-318-00-020000	134-10-318-00-010000	134-10-318-00-050000	134-10-318-00-000000	134-10-318-00-100000	
20	1.0	0.3	0.4	20	134-10-320-00-020000	134-10-320-00-010000	134-10-320-00-050000	134-10-320-00-000000	134-10-320-00-100000	
22	1.1	0.3	0.4	18	134-10-322-00-020000	134-10-322-00-010000	134-10-322-00-050000	134-10-322-00-000000	134-10-322-00-100000	
24	1.2	0.3	0.4	16	134-10-324-00-020000	134-10-324-00-010000	134-10-324-00-050000	134-10-324-00-000000	134-10-324-00-100000	
28	1.4	0.3	0.4	14	134-10-328-00-020000	134-10-328-00-010000	134-10-328-00-050000	134-10-328-00-000000	134-10-328-00-100000	
20	1.0	0.4	0.5	20	134-10-420-00-020000	134-10-420-00-010000	134-10-420-00-050000	134-10-420-00-000000	134-10-420-00-100000	
22	1.1	0.4	0.5	18	134-10-422-00-020000	134-10-422-00-010000	134-10-422-00-050000	134-10-422-00-000000	134-10-422-00-100000	
24	1.2	0.4	0.5	16	134-10-424-00-020000	134-10-424-00-010000	134-10-424-00-050000	134-10-424-00-000000	134-10-424-00-100000	
28	1.4	0.4	0.5	14	134-10-428-00-020000	134-10-428-00-010000	134-10-428-00-050000	134-10-428-00-000000	134-10-428-00-100000	
32	1.6	0.4	0.5	12	134-10-432-00-020000	134-10-432-00-010000	134-10-432-00-050000	134-10-432-00-000000	134-10-432-00-100000	
24	1.2	0.6	0.7	16	134-10-624-00-020000	134-10-624-00-010000	134-10-624-00-050000	134-10-624-00-000000	134-10-624-00-100000	
28	1.4	0.6	0.7	14	134-10-628-00-020000	134-10-628-00-010000	134-10-628-00-050000	134-10-628-00-000000	134-10-628-00-100000	
32	1.6	0.6	0.7	12	134-10-632-00-020000	134-10-632-00-010000	134-10-632-00-050000	134-10-632-00-000000	134-10-632-00-100000	
36	1.8	0.6	0.7	11	134-10-636-00-020000	134-10-636-00-010000	134-10-636-00-050000	134-10-636-00-000000	134-10-636-00-100000	
40	2.0	0.6	0.7	10	134-10-640-00-020000	134-10-640-00-010000	134-10-640-00-050000	134-10-640-00-000000	134-10-640-00-100000	
42	2.1	0.6	0.7	9	134-10-642-00-020000	134-10-642-00-010000	134-10-642-00-050000	134-10-642-00-000000	134-10-642-00-100000	
48	2.4	0.6	0.7	8	134-10-648-00-020000	134-10-648-00-010000	134-10-648-00-050000	134-10-648-00-000000	134-10-648-00-100000	
50	2.5	0.6	0.7	8	134-10-650-00-020000	134-10-650-00-010000	134-10-650-00-050000	134-10-650-00-000000	134-10-650-00-100000	
52	2.6	0.6	0.7	7	134-10-652-00-020000	134-10-652-00-010000	134-10-652-00-050000	134-10-652-00-000000	134-10-652-00-100000	
50	2.5	0.9	1.0	8	134-10-950-00-020000	134-10-950-00-010000	134-10-950-00-050000	134-10-950-00-000000	134-10-950-00-100000	
52	2.6	0.9	1.0	7	134-10-952-00-020000	134-10-952-00-010000	134-10-952-00-050000	134-10-952-00-000000	134-10-952-00-100000	
64	3.2	0.9	1.0	6	134-10-964-00-020000	134-10-964-00-010000	134-10-964-00-050000	134-10-964-00-000000	134-10-964-00-100000	
XX=Plating Code See to Right					SPECIFY PLATING CODE XX =		10			
					Pin Plating		10 μ" Au			



# Mouser Electronics

Authorized Distributor

Click to View Pricing, Inventory, Delivery & Lifecycle Information:

## Mill-Max:

[134-10-964-00-100000](#) [134-10-964-00-050000](#) [134-10-964-00-020000](#) [134-10-964-00-010000](#) [134-10-964-00-000000](#) [134-10-952-00-100000](#) [134-10-952-00-050000](#) [134-10-952-00-020000](#) [134-10-952-00-010000](#) [134-10-952-00-000000](#) [134-10-950-00-100000](#) [134-10-950-00-050000](#) [134-10-950-00-020000](#) [134-10-950-00-010000](#) [134-10-950-00-000000](#) [134-10-652-00-100000](#) [134-10-652-00-050000](#) [134-10-652-00-020000](#) [134-10-652-00-010000](#) [134-10-652-00-000000](#) [134-10-650-00-100000](#) [134-10-650-00-050000](#) [134-10-650-00-020000](#) [134-10-650-00-010000](#) [134-10-650-00-000000](#) [134-10-648-00-100000](#) [134-10-648-00-050000](#) [134-10-648-00-020000](#) [134-10-648-00-010000](#) [134-10-648-00-000000](#) [134-10-642-00-100000](#) [134-10-642-00-050000](#) [134-10-642-00-020000](#) [134-10-642-00-010000](#) [134-10-642-00-000000](#) [134-10-640-00-100000](#) [134-10-640-00-050000](#) [134-10-640-00-020000](#) [134-10-640-00-010000](#) [134-10-640-00-000000](#) [134-10-636-00-100000](#) [134-10-636-00-050000](#) [134-10-636-00-020000](#) [134-10-636-00-010000](#) [134-10-636-00-000000](#) [134-10-632-00-100000](#) [134-10-632-00-050000](#) [134-10-632-00-020000](#) [134-10-632-00-010000](#) [134-10-632-00-000000](#) [134-10-628-00-100000](#) [134-10-628-00-050000](#) [134-10-628-00-020000](#) [134-10-628-00-010000](#) [134-10-628-00-000000](#) [134-10-624-00-100000](#) [134-10-624-00-050000](#) [134-10-624-00-020000](#) [134-10-624-00-010000](#) [134-10-624-00-000000](#) [134-10-432-00-100000](#) [134-10-432-00-050000](#) [134-10-432-00-020000](#) [134-10-432-00-010000](#) [134-10-432-00-000000](#) [134-10-428-00-100000](#) [134-10-428-00-050000](#) [134-10-428-00-020000](#) [134-10-428-00-010000](#) [134-10-428-00-000000](#) [134-10-424-00-100000](#) [134-10-424-00-050000](#) [134-10-424-00-020000](#) [134-10-424-00-010000](#) [134-10-424-00-000000](#) [134-10-422-00-100000](#) [134-10-422-00-050000](#) [134-10-422-00-020000](#) [134-10-422-00-010000](#) [134-10-422-00-000000](#) [134-10-420-00-100000](#) [134-10-420-00-050000](#) [134-10-420-00-020000](#) [134-10-420-00-010000](#) [134-10-420-00-000000](#) [134-10-328-00-100000](#) [134-10-328-00-050000](#) [134-10-328-00-020000](#) [134-10-328-00-010000](#) [134-10-328-00-000000](#) [134-10-324-00-100000](#) [134-10-324-00-050000](#) [134-10-324-00-020000](#) [134-10-324-00-010000](#) [134-10-324-00-000000](#) [134-10-322-00-100000](#) [134-10-322-00-050000](#) [134-10-322-00-020000](#) [134-10-322-00-010000](#) [134-10-322-00-000000](#)