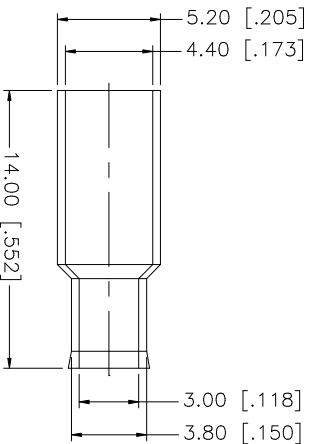
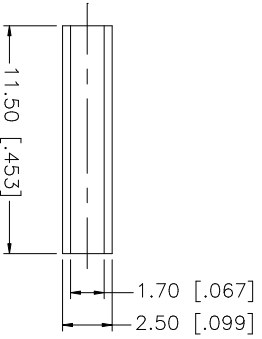
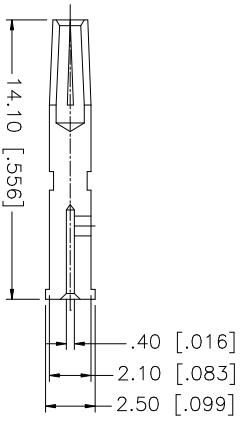
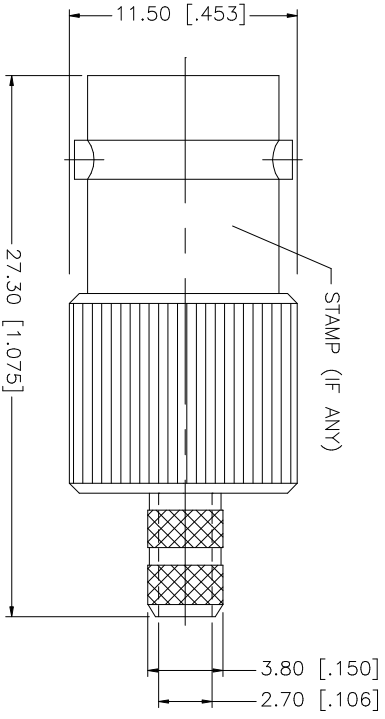
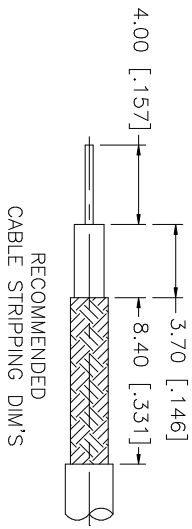


REV.	DATE	DESCRIPTION
B	04/04/03	UPDATE DRAWING FORMAT



- CRIMP NOTES:
1. CRIMPED FERRULE
HEX CRIMP SIZE .178"
 2. CRIMPED CONTACT PIN
HEX CRIMP SIZE .068"

DESCRIPTION	MATERIAL	FINISH	QTY	DO NOT SCALE DRAWING	APPROVALS	DATE	PART DESCRIPTION	DWG. NO.	REV.	SIZE	SCALE
8				UNLESS OTHERWISE SPECIFIED DIMENSIONS ARE IN MILLIMETERS. DIMENSIONS IN [] ARE IN INCHES AND FOR CUSTOMER REFERENCE ONLY.			Amphenol Comnex BNC CRIMP JACK (FOR RG-179/U CABLE) 75ohm	112161.DWG	B	A	NA
7				UNLESS OTHERWISE SPECIFIED TOLERANCES FOR MILLIMETERS ARE:							
6				0.5 - 8mm ± 0.20mm							
5	FERRULE	COPPER	1	B - 30mm ± 0.40mm							
4	SLEEVE	DELFIN	1	30 - 120mm ± 0.30mm							
3	CONTACT PIN	PHOS. BRONZE	1	UNLESS OTHERWISE SPECIFIED TOLERANCES FOR INCHES ARE:							
2	INSULATOR	DELFIN	1	.020 - .315 = ± 0.002"							
1	HOUSING/BODY	BRASS	1	.315 - 1.180 = ± 0.015" 1.180 - 4.724 = ± 0.020"							
DESCRIPTION					CAD FILE						
					C:/112/112161.DWG						

Mouser Electronics

Authorized Distributor

Click to View Pricing, Inventory, Delivery & Lifecycle Information:

[Amphenol:](#)

[112161](#)