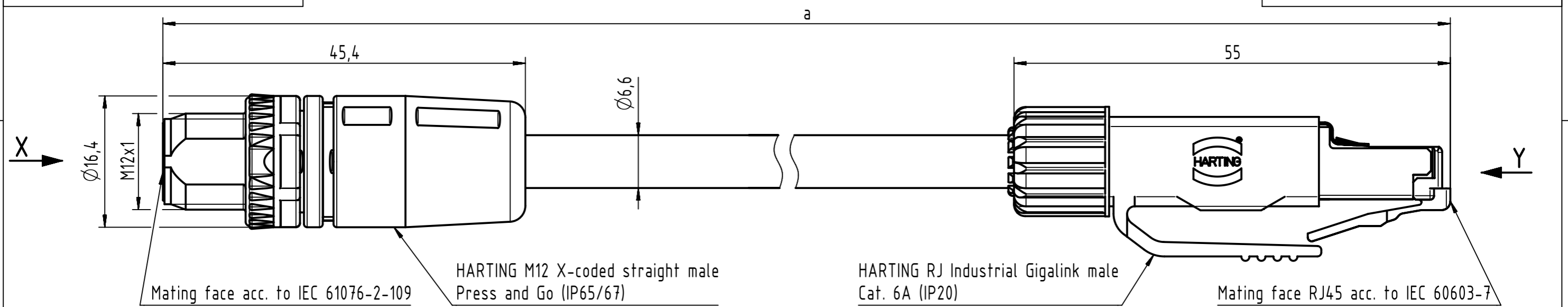


Connector Location A

Connector Location B

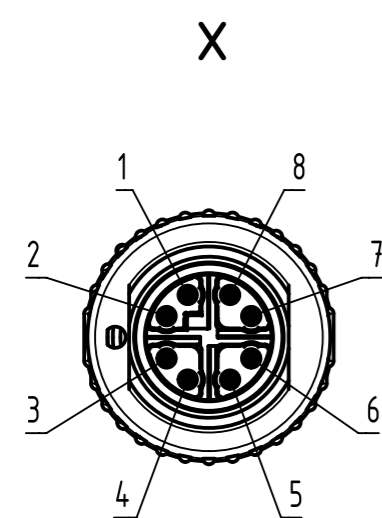


Mating face acc. to IEC 61076-2-109

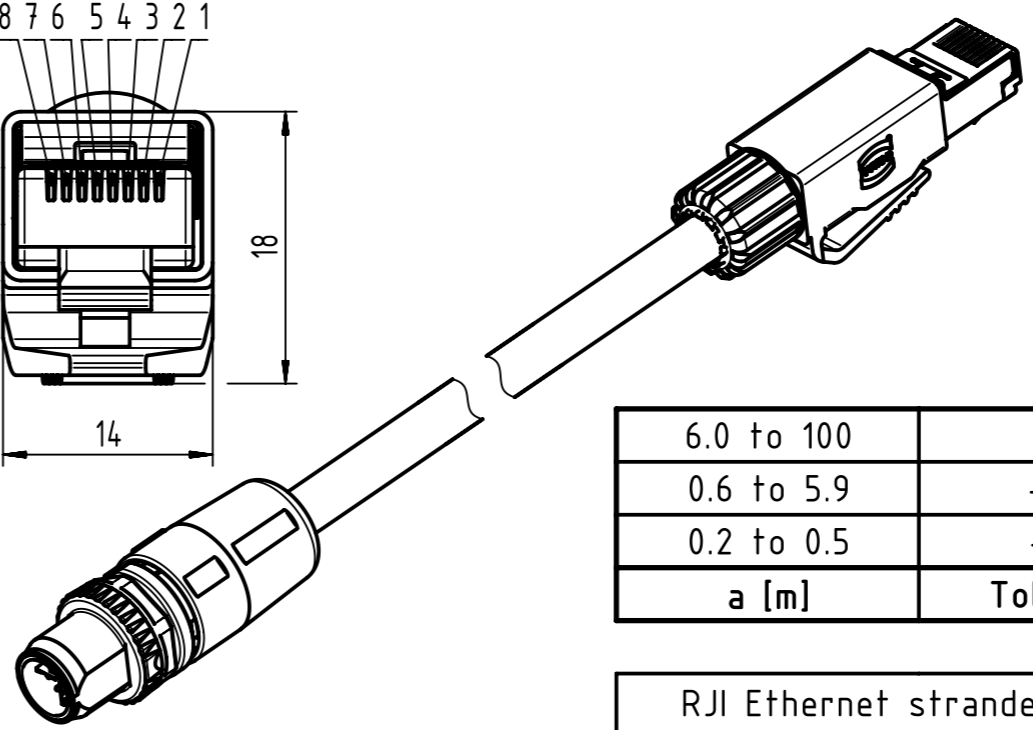
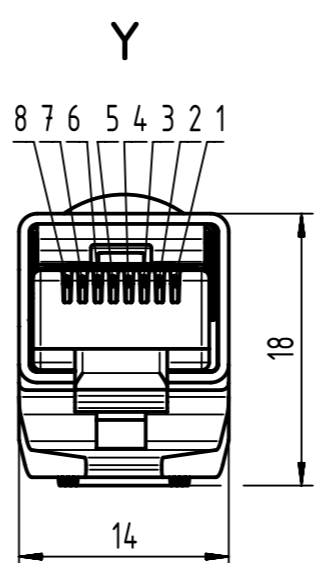
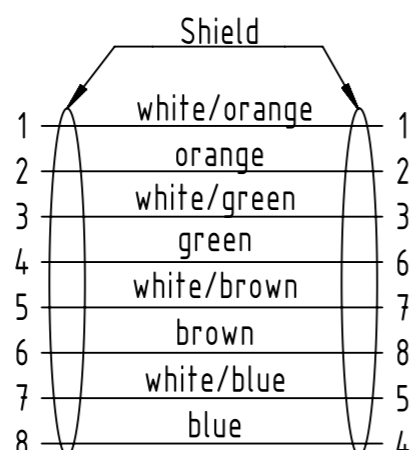
HARTING M12 X-coded straight male Press and Go (IP65/67)

HARTING RJ Industrial Gigalink male Cat. 6A (IP20)

Mating face RJ45 acc. to IEC 60603-7



Loading-Plan



6.0 to 100	±1%
0.6 to 5.9	+0.04
0.2 to 0.5	+0.02
a [m]	Tolerance

length in "1m" step	100	XXX=000
	99	XXX=990
	.	.
	12	XXX=120
	11	XXX=110
length in "0.1m" step	10	XXX=100
	9.9	XXX=099
	9.8	XXX=098
	.	.
	0.5	XXX=005
	0.4	XXX=004
	0.3	XXX=003
	0.2	XXX=002
Step	a [m]	XXX

RJI Ethernet stranded cable
AWG 26/7, 4x2x0.5/1.0, PVC,
Cat.6A, yellow

Type of cable

09489323757XXX

Part no.

Temperature range: -20°C...+70°C

	All rights reserved	Created by	Inspected by	Standardisation	Date	State	
	Department HCS - RO	MUNTEANV	COSTEA	AVRAM	2017-07-19	Final Release	
HARTING Customised Solutions		Title				Doc-Key / ECM-Nr.	
D-32427 Minden		M12 X-coded Cable Assembly				100601686/UGD/003/B 500000122446	
		Type	Number		Rev.	Page	
		TB	09489323757XXX		B	1/1	

Mouser Electronics

Authorized Distributor

Click to View Pricing, Inventory, Delivery & Lifecycle Information:

[HARTING:](#)

[09489323757100](#) [09489323757010](#) [09489323757020](#) [09489323757050](#) [09489323757005](#)