

NOTES:

1. MATERIALS AND FINISHES:
 BODY, OUTER CONTACT,
 COUPLING NUT & CLAMP NUTS - BRASS, NICKEL PLATING
 CONTACT - BRASS, GOLD PLATING
 INSULATORS - PTFE, NATURAL
 WASHERS - BRASS & COPPER, NICKEL PLATING
 RETAINING RING - PHOSPHOR BRONZE & SUS304, NATURAL
 GASKETS - SILICONE RUBBER, RED
2. ELECTRICAL:
 A. IMPEDANCE: 50 OHM
 B. FREQUENCY RANGE: DC - 11 GHz
3. MECHANICAL:
 A. DURABILITY: 500 CYCLES MIN.
 B. TEMPERATURE RANGE: -65°C TO +165°C

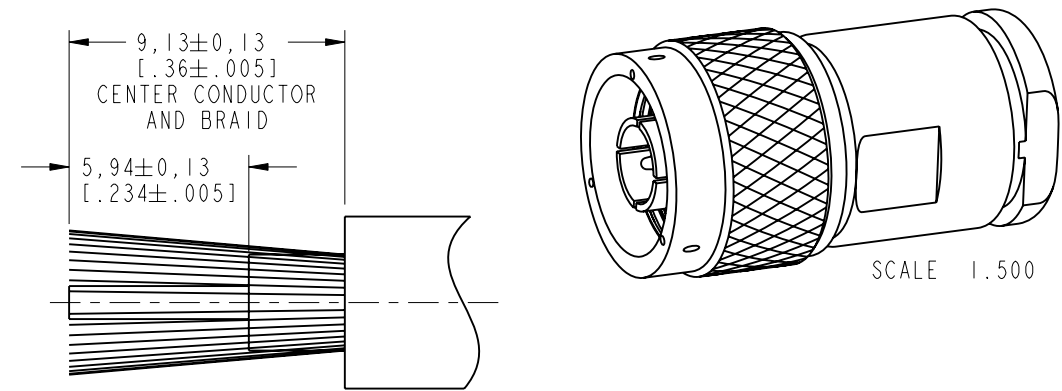
4. PACKAGING:
 A. QUANTITY: SINGLE PACK
 B. MARKING: BAG TO BE MARKED
 "AMPHENOL RF, 82-3312, AND DATE CODE"
5. CABLE ASSEMBLY INSTRUCTIONS:
 A. STRIP CABLE AS SHOWN.
 B. SLIDE CLAMP NUT, WASHER, GASKET & BRAID CLAMP OVER CABLE SHEATH.
 C. COMB OUT THE BRAID AND FOLD BACK.
 D. SLIDE WASHER OVER DIELECTRIC. PUSH FIRMLY AGAINST BRAID AND BRAID CLAMP.
 E. SLIDE INSULATOR TWO OVER CONTACT.
 F. SOLDER CABLE CENTER CONDUCTOR TO CENTER CONTACT.
 G. SLIDE INSULATOR ONE OVER CONTACT.
 H. SLIDE SUB-ASSEMBLY TO THE REAR SIDE OF THE BODY AND TIGHTEN WITH
 PROPER SPANNER. MAKE ENSURE INTERFACE DIMENSIONS TO MEET.

6 SHOWS CABLE ENTRY DIMENSIONS.

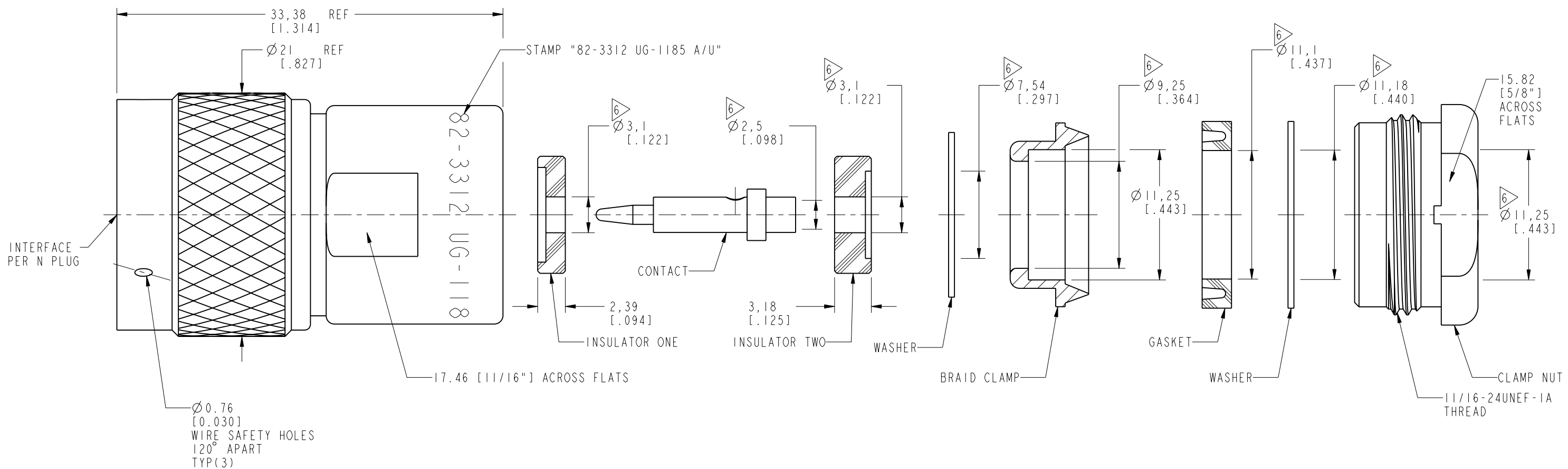
THIRD ANGLE PROJ.

REVISIONS

REV	DESCRIPTION	DATE	ECN	APPR
--	RELEASE TO MFG.	--	--	--
T	COD SHEET ADDED	17-Nov-17	5661	RM



RECOMMENDED CABLE STRIPPING DIMENSIONS



CUSTOMER OUTLINE DRAWING
 ALL OTHER SHEETS ARE FOR INTERNAL USE ONLY

UNLESS OTHERWISE SPECIFIED, DIMENSIONS ARE IN METRIC AND TOLERANCES ARE: <0.5mm ±0.05mm 0.5 - 6mm ±0.1mm 6 - 30mm ±0.2mm 30 - 120mm ±0.3mm ANGLES ±1° NOTICE - These drawings, specifications, or other data (1) are, and remain the property of Amphenol corp. (2) must be returned upon request; and (3) are confidential and not to be disclosed to any person other than those to whom they are given by Amphenol Corp. the furnishing of these drawings, specifications, or other data by Amphenol Corp., or to any other person to anyone for any purpose is not to be regarded by implication or otherwise in any manner licensing, granting rights to permitting such holder or any other person to manufacture, use or sell any product, process or design, patented or otherwise, that may in any way be related to or disclosed by said drawings, specifications, or other data.	MATERIAL SEE NOTES	DRAWN A ARUN PRABU	DATE 20-Oct-17	TITLE N STR CLAMP PLUG FOR UG-1185A/U, RG 8/U, 9/U, 87A/U, 213/U, 214/U & 225/U CABLE CAPTIVATED CONTACT	Amphenol RF www.amphenolrf.com DRAWING NO. 82-3312 ITEM NO. 82-3312 PART NO. 82-3312
	REFERENCE	ENGINEER M. HOYACK	DATE 20-Oct-17		
	EAR#	APPROVED S. HSIEH	DATE 17-Nov-17	DWG SIZE B	
	REF:	CONFIGURATION LEVEL: In Work		REV T	
	FINISH				

Mouser Electronics

Authorized Distributor

Click to View Pricing, Inventory, Delivery & Lifecycle Information:

[Amphenol:](#)

[82-3312](#) [082-3312](#)